

REV.	DATE	DRAWN	REVISION
A	10JUN96	AAB	PRN: G6-02
B	08JUL96	AAB	PRN: G6-03
C	21APR97	VP	PRN: G6-07A
D	05DEC97	SL	PRN: G6-08
E	26AUG99	SWD	PRN: G6-12

ITEM	REVISION	DESCRIPTION
OUTER LEAF		NYLON
INNER LEAF		NYLON
COVERS		NYLON
HINGE PIN		ACETAL HAMPOURNER
HINGE PIN INSERT		ACETAL HAMPOURNER
SPRING		URETHANE

MATERIAL	COLOR
SEE ASSEMBLY DESCRIPTION TABLE	BLACK

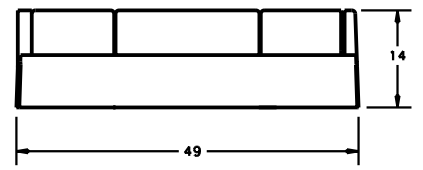
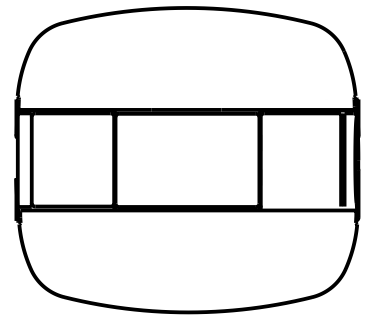
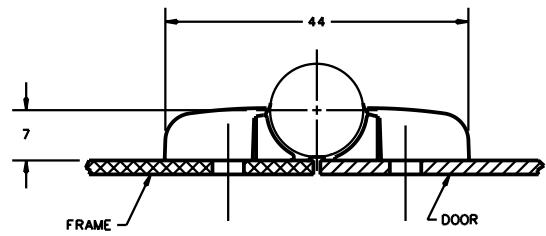
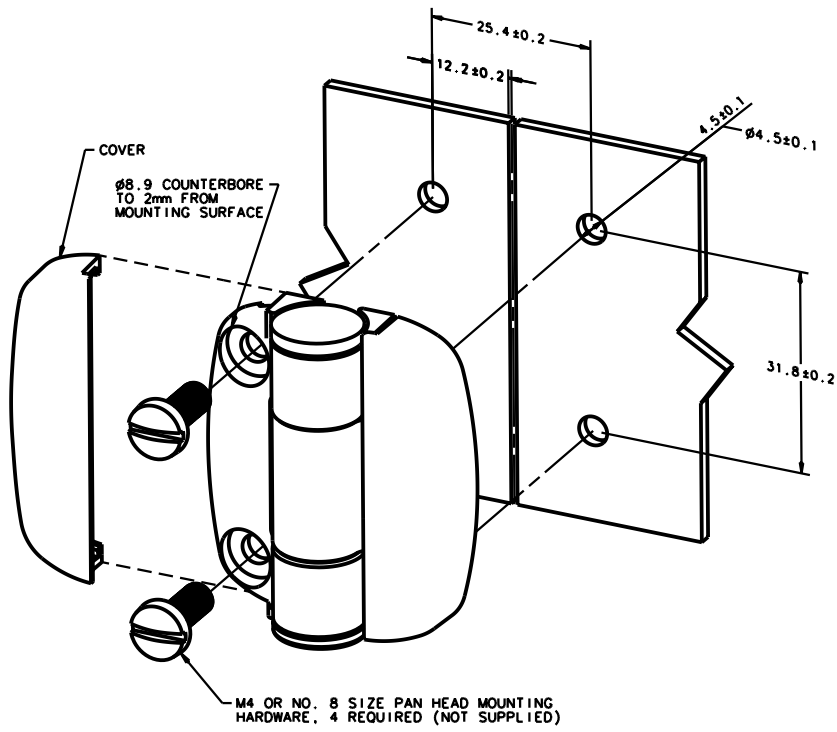
DATE	DRAWN	CHKD	SCALE
02DEC99	AAB		1.5:1

DRAWING NUMBER	MILLIMETER DIMENSIONS	PAPER SIZE
J-G6-1	DIMENSIONS WITHOUT TOLERANCES ARE FOR REFERENCE ONLY.	A3

G6 DOOR POSITIONING HINGE

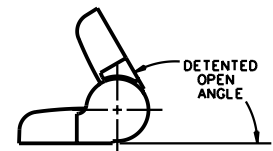
**INSTALLATION INSTRUCTIONS**

1. PREPARE INSTALLATION HOLES AS SHOWN.
2. MOUNT HINGE SUB-ASSEMBLY WITH APPROPRIATE FASTENING HARDWARE. MAXIMUM RECOMMENDED TIGHTENING TORQUE = 225 N.cm (20 in. lbs).
3. SNAP COVERS IN PLACE TO HIDE MOUNTING HARDWARE.



**ASSEMBLY DESCRIPTION**

ASSEMBLY PART NUMBER	DETENTED OPEN ANGLE	COLOR
G6-5-1	120°	BLACK
G6-0-1	FREE-SWINGING	BLACK
G6-0-3	FREE-SWINGING	WHITE
G6-5-3	120°	WHITE



SCALE 1:1

- NOTES:
- A: DETENT HINGE ALSO HAS DETENTED OPEN ANGLE AT 170°, AND BIASES THE DOOR CLOSED AGAINST A FRAME.
  - B: HINGE ASSEMBLY PART NUMBERS SHOWN CONSIST OF ONE HINGE SUBASSEMBLY AND TWO COVERS, SHIPPED SEPARATELY, BULK.
  - C: FOR ONE HINGE SUB-ASSEMBLY AND TWO COVERS PACKAGED IN A POLY BAG, ADD -1 TO THE PART NUMBERS SHOWN ABOVE (EX. G6-5-1-1).
  - D: HINGE SUB-ASSEMBLIES AND COVERS ARE DESIGNED TO ACCOMMODATE M4 OR NO. 8 SIZE PAN HEAD MOUNTING HARDWARE (NOT SUPPLIED).