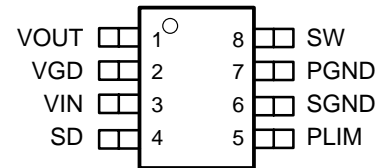


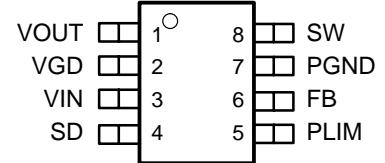


- 1-V Input Voltage Operation Start-up Ensured Under Full Load on Main Output With Operation Down to 0.4 V
- Input Voltage Range of 1 V to $V_{OUT} + 0.5$ V
- 500-mW Output Power at Battery Voltages as Low as 0.8 V
- Secondary 9-V Supply From a Single Inductor
- Adjustable Output Power Limit Control
- Output Fully Disconnected in Shutdown
- Adaptive Current-Mode Control for Optimum Efficiency
- 8- μ A Shutdown Supply Current

D OR N PACKAGE
(TOP VIEW)



UCC3941-ADJ ONLY
(TOP VIEW)



description

The UCC3941 family of low-input-voltage single-inductor boost-converters are optimized to operate from a single- or dual-alkaline cell, and step up to a 3.3-V, 5-V, or an adjustable output at 500 mW. The UCC3941 family also provides an auxiliary 9-V, 100-mW output, primarily for the gate drive supply, which can be used for applications requiring an auxiliary output such as a 5-V supply by linear regulating. The primary output starts up under full load at input voltages typically as low as 0.8 V, with a guaranteed maximum of 1 V, and operates down to 0.4 V once the converter is operating, maximizing battery utilization.

Demanding applications such as pagers and personal digital assistants require high efficiency from several milliwatts to several hundred milliwatts, and the UCC3941 family accommodates these applications with > 80% typical efficiencies over the wide range of operation. The high-efficiency at low-output current is achieved by optimizing switching and conduction losses along with low-quiescent current. At higher output current the 0.25- Ω charge switch, and the 0.4- Ω synchronous rectifier, along with continuous-mode conduction, provide high efficiency. The wide input-voltage range on the UCC3941 family can accommodate other power sources such as NiCd and NiMH.

Other features include maximum power control and shutdown control. The device is available in 8-pin SOIC (D) and 8-pin DIP (N).

AVAILABLE OPTIONS

T _A	PACKAGED DEVICES					
	SOIC (D) [†]			DIP (N)		
	V _{OUT} (V)					
	3.3	5.0	Adjustable (1.3 V to 6 V)	3.3	5.0	Adjustable (1.3 V to 6 V)
-40°C to 85°C	UCC2941D-3	UCC2941D-5	UCC2941D-ADJ	UCC2941N-3	UCC2941N-5	UCC2941N-ADJ
0°C to 70°C	UCC3941D-3	UCC3941D-5	UCC3941D-ADJ	UCC3941N-3	UCC3941N-5	UCC3941N-ADJ

[†] The SOIC (D) package is available left end taped and reeled. Add an R suffix to the device type (e.g., UCC2941DR-3) to order quantities of 2500 devices per reel.



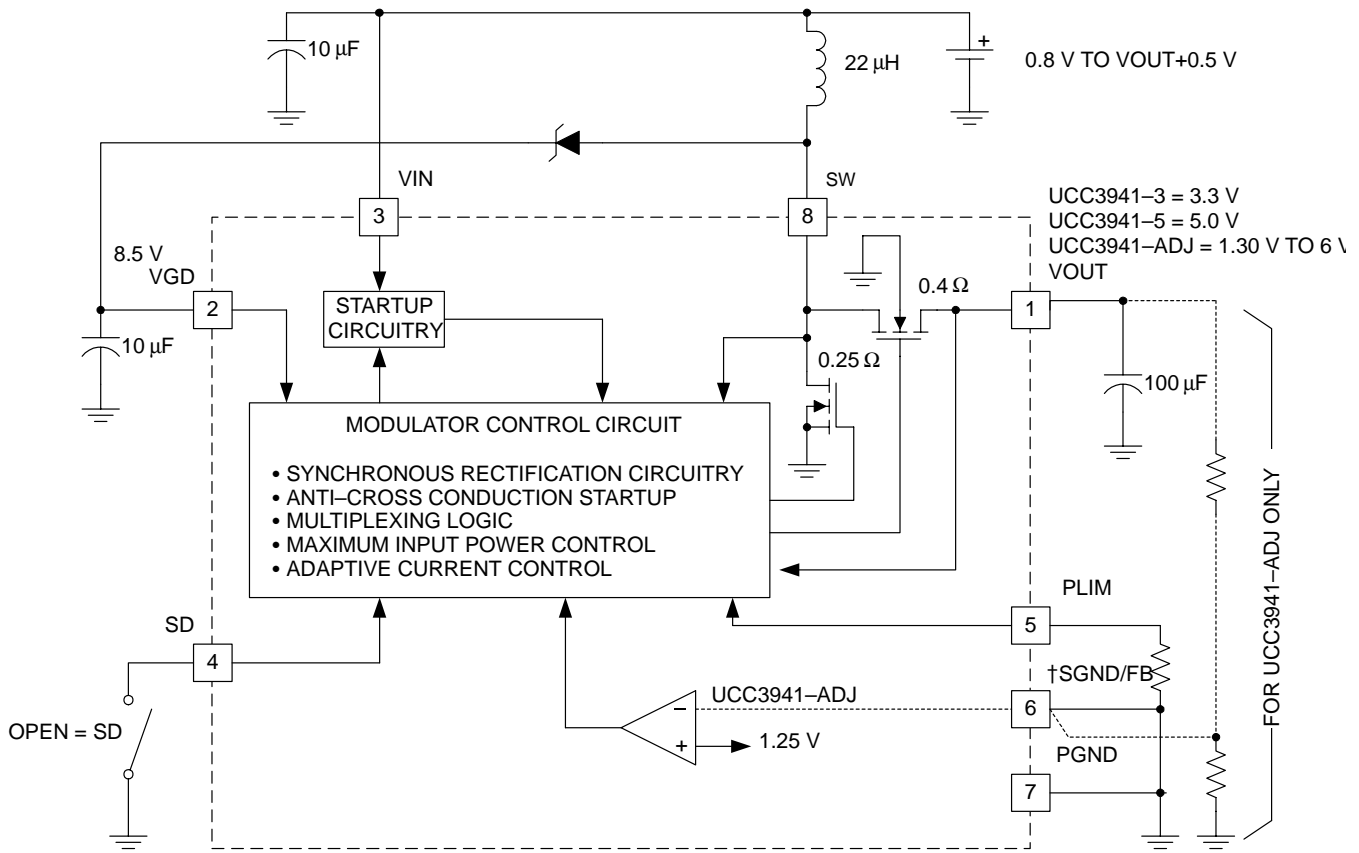
Please be aware that an important notice concerning availability, standard warranty, and use in critical applications of Texas Instruments semiconductor products and disclaimers thereto appears at the end of this data sheet.

PRODUCTION DATA information is current as of publication date. Products conform to specifications per the terms of Texas Instruments standard warranty. Production processing does not necessarily include testing of all parameters.

UCC2941-3, UCC2941-5, UCC2941-ADJ, UCC3941-3, UCC3941-5, UCC3941-ADJ 1-V SYNCHRONOUS BOOST CONVERTER

SLUS242B – JANUARY 1999 – REVISED JUNE 2001

functional block diagram



UDG-98147

† For UCC3941-ADJ only: Pin 7 = SGND & PGND, Pin 6 = output sense feedback, FB

UCC2941-3, UCC2941-5, UCC2941-ADJ, UCC3941-3, UCC3941-5, UCC3941-ADJ 1-V SYNCHRONOUS BOOST CONVERTER

SLUS242B – JANUARY 1999 – REVISED JUNE 2001

Terminal Functions

NAME	TERMINAL		I/O	DESCRIPTION
	NO.			
	UCC2941-3 UCC2941-5 UCC3941-3 UCC3941-5	UCC2941-ADJ UCC3941-ADJ		
FB	–	6	I	Feedback control pin used in the UCC3941-ADJ version only. The internal reference for this comparator is 1.25V and external resistors provide the gain to the output voltage.
PGND	7	7	–	Power ground of the IC. The inductor charging current flows through this pin. For the UCC3941-ADJ signal ground and power ground lines are tied to a common pin.
PLIM	5	5	I	Peak current limit
SGND	6	–	–	Signal ground of the IC. For the UCC3941-ADJ signal ground and power ground lines are tied to a common pin
SD	4	4	I	Shutdown pin
SW	8	8	I	Inductor connection
VGD	2	2	O	Gate drive supply
VIN	3	3	I	Input voltage to supply the IC during startup. After the output is running the IC draws power from VOUT or VGD
VOUT	1	1	O	Main output voltage

detailed description

peak limit (PLIM)

The PLIM pin is programmed to set the maximum input power for the converter. For example a 1-A current limit at 1 V would have a 333-mA limit at 3 V input keeping the input power constant at 1 W. The peak current at $V_{IN} = 1\text{ V}$ is programmed to 1.5 A (1.5 W) when this pin is grounded. The power limit is given by:

$$P_{LW} = \left(\frac{11.8 \times n}{R_{PL} + 6.7} \right) + (V_{IN} \times 0.26) \quad (1)$$

where R_{PL} is equal to the external resistor from the PLIM pin to ground and n is the expected efficiency of the converter. The peak current limit is given by:

$$I_{PK(A)} = \frac{11.8 \times n}{V_{IN} \times (R_{PL} + 6.7)} + 0.26 \quad (2)$$

Constant power gives several advantages over constant current such as lower output ripple.

shutdown (SD)

When the SD pin is open, the built-in 7- μ A current source pulls up on the pin and programs the IC to go into shutdown mode. This pin requires an open circuit for shutdown and does not operate correctly when driven to a logic level high with TTL or CMOS logic. When this pin is connected to ground, (either directly or with a transistor) the IC is enabled and both output voltages regulate.

UCC2941-3, UCC2941-5, UCC2941-ADJ, UCC3941-3, UCC3941-5, UCC3941-ADJ 1-V SYNCHRONOUS BOOST CONVERTER

SLUS242B – JANUARY 1999 – REVISED JUNE 2001

detailed description (continued)

needs a name (SW)

The SW pin inductor is connected between this node and VIN. The VGD (gate drive supply) flyback diode is also connected to this pin. When servicing the 3.3-V supply, this pin goes low charging the inductor, then shut off, dumping the energy through the synchronous rectifier to the output. When servicing the VGD supply, the internal synchronous rectifier stays off, and the energy is diverted to VGD through the flyback diode. During discontinuous portions of the inductor current a MOSFET resistively connects VIN to SW damping excess circulating energy to eliminate undesired high frequency ringing.

gate drive supply (VGD)

The VGD pin is coarsely regulated around 9 V, and is primarily used for the gate drive supply for the power switches in the IC. This pin can be loaded with up to 10 mA as long as it does not present a load at voltages below 2 V. This ensures proper startup of the IC. The VGD supply can go as low as 7.5 V without interfering with the servicing of the 3.3-V output. Below 7.5 V, VGD has the highest priority, although in practice the voltage should not decay to that level if the output capacitor is sized properly.

output voltage (VOUT)

Main output voltage (3.3 V, 5 V, or adjustable) which has highest priority in the multiplexing scheme, as long as VGD is above the critical level of 7.5 V. Loads over 150 mA are achievable at an input voltage of 1-V. This output starts up with 1-V input at full load.

absolute maximum ratings over operating free-air temperature range (unless otherwise noted)†

Input voltage VIN, PLIM	-0.3 V to 10 V
Voltage range, VGD, SW	-0.3 V to 15 V
Voltage range, SD	-0.3 V to VIN
Output voltage range, VOUT	-0.3 V to 10 V
Operating virtual junction temperature range, T _J	-55°C to 150°C
Storage temperature range, T _{stg}	-65°C to 150°C
Lead temperature soldering 1,6 mm (1/16 inch) from case for 10 seconds	300°C
.....	CDM 1 kV

† Stresses beyond those listed under “absolute maximum ratings” may cause permanent damage to the device. These are stress ratings only, and functional operation of the device at these or any other conditions beyond those indicated under “recommended operating conditions” is not implied. Exposure to absolute-maximum-rated conditions for extended periods may affect device reliability. Currents are positive into, negative out of the specified terminal.

DISSIPATION RATING TABLE

PACKAGE	T _A ≤ 25°C POWER RATING	DERATING FACTOR ABOVE T _A = 25°C	T _A = 85°C POWER RATING
D	760 mW	6.1 mW/°C	390 mW
N	980 mW	7.9 mW/°C	510 mW

recommended operating conditions

	MIN	MAX	UNIT
Input voltage	0.8	5.0	V
Output voltage	1.8	5.5	V
Output current	0	200	mA

UCC2941-3, UCC2941-5, UCC2941-ADJ, UCC3941-3, UCC3941-5, UCC3941-ADJ 1-V SYNCHRONOUS BOOST CONVERTER

SLUS242B – JANUARY 1999 – REVISED JUNE 2001

electrical characteristics over recommended operating junction temperature range, for UCC3941, $T_A = 0^\circ\text{C}$ to 70°C , for UCC2941, $T_A = -40^\circ\text{C}$ to 85°C , $V_{IN} = 1.25\text{ V}$, $T_A = T_J$ (unless otherwise noted)

input voltage

PARAMETER	TEST CONDITIONS	MIN	TYP	MAX	UNIT
Minimum startup voltage	$T_J = 25^\circ\text{C}$, $I_{OUT} = 100\text{ mA}$, No external VGD load, See Note 1		0.8	1.0	V
	$T_J = 0^\circ\text{C}$ to 85°C , $I_{OUT} = 100\text{ mA}$, No external VGD load, See Note 1		0.9	1.1	V
	$T_J = -40^\circ\text{C}$ to 0°C , $I_{OUT} = 100\text{ mA}$, No external VGD load, See Note 1		0.9	1.5	V
Minimum dropout voltage	$I_{OUT} = 0\text{ mA}$, VGD = 6.3 V No external VGD load,			0.5	V
Input voltage range		1		$V_{OUT} + 0.5$	V
Quiescent supply current	See note 2		13	25	μA
Shutdown supply current	SD = open		8	20	μA

output voltage

PARAMETER	TEST CONDITIONS	MIN	TYP	MAX	UNIT	
Quiescent supply current	See note 2		32	80	μA	
Shutdown supply current	SD = open		6	15	μA	
Regulation voltage	UCC3941-3	$1\text{ V} < V_{IN} < 3\text{ V}$	3.18	3.25	3.37	V
		$1\text{ V} < V_{IN} < 3\text{ V}$, See Note 1 $0\text{ mA} < I_{OUT} < 150\text{ mA}$,	3.17	3.30	3.43	V
	UCC3941-5	$1\text{ V} < V_{IN} < 5\text{ V}$	4.85	5.00	5.15	V
		$1\text{ V} < V_{IN} < 5\text{ V}$, See Note 1 $0\text{ mA} < I_{OUT} < 100\text{ mA}$,	4.8	5.0	5.2	V
Feedback voltage	UCC3941-ADJ $1\text{ V} < V_{IN} < 3\text{ V}$	1.212	1.250	1.288	V	

VGD output

PARAMETER	TEST CONDITIONS	MIN	TYP	MAX	UNIT
Quiescent supply current	See note 2		25	60	μA
Shutdown supply current	SD = open		8	20	μA
Regulation voltage	$1\text{ V} < V_{IN} < 3\text{ V}$	7.5	8.7	9.2	V
	$1\text{ V} < V_{IN} < 3\text{ V}$, See Note 1 $0\text{ mA} < I_{OUT} < 10\text{ mA}$,	7.4	8.7	9.3	V

NOTE 1: Performance from application circuit shown in Figures 3, 4, and 5. Ensured by design. Not 100% production tested.

NOTE 2: For the UCC3941-3, $V_{OUT} = 3.47\text{ V}$ and $V_{GD} = 9.3\text{ V}$. For the UCC3941-5, $V_{OUT} = 5.25\text{ V}$, $V_{GD} = 9.3\text{ V}$. For the UCC3941-ADJ, $FB = 1.315\text{ V}$, $V_{GD} = 9.3\text{ V}$.

UCC2941-3, UCC2941-5, UCC2941-ADJ, UCC3941-3, UCC3941-5, UCC3941-ADJ 1-V SYNCHRONOUS BOOST CONVERTER

SLUS242B – JANUARY 1999 – REVISED JUNE 2001

electrical characteristics over recommended operating junction temperature range, for UCC3941, $T_A = 0^\circ\text{C}$ to 70°C , for UCC2941, $T_A = -40^\circ\text{C}$ to 85°C , $V_{IN} = 1.25\text{ V}$, $T_A = T_J$ (unless otherwise noted)
(continued)

inductor charging ($L = 22\ \mu\text{H}$)

PARAMETER	TEST CONDITIONS	MIN	TYP	MAX	UNIT
Peak discontinuous current	Over operating range		0.05	0.85	A
Peak continuous current	$R_{PLIM} = 6.2\ \Omega$, See Note 1	0.5	0.9	1.3	A
Charge switch $R_{DS(on)}$	N and D package, $I = 200\text{ mA}$		0.25	0.40	Ω
Current limit delay	See Note 1		50		ns

synchronous rectifier

PARAMETER	TEST CONDITIONS	MIN	TYP	MAX	UNIT
Rectifier $R_{DS(on)}$	UCC3941N-ADJ UCC3941D-ADJ $I = 200\text{ mA}$, $V_{OUT} = 3.3\text{ V}$		0.35	0.6	Ω
	UCC3941N-3 UCC3941D-3 $I = 200\text{ mA}$		0.35	0.6	Ω
	UCC3941N-5 UCC3941D-5 $I = 200\text{ mA}$		0.5	0.8	Ω

shutdown

PARAMETER	TEST CONDITIONS	MIN	TYP	MAX	UNIT
Shutdown bias current	$SD = 0\text{ V}$	-10	-7		μA

NOTE 1: Performance from application circuit shown in Figures 3, 4, and 5. Ensured by design. Not 100% production tested.

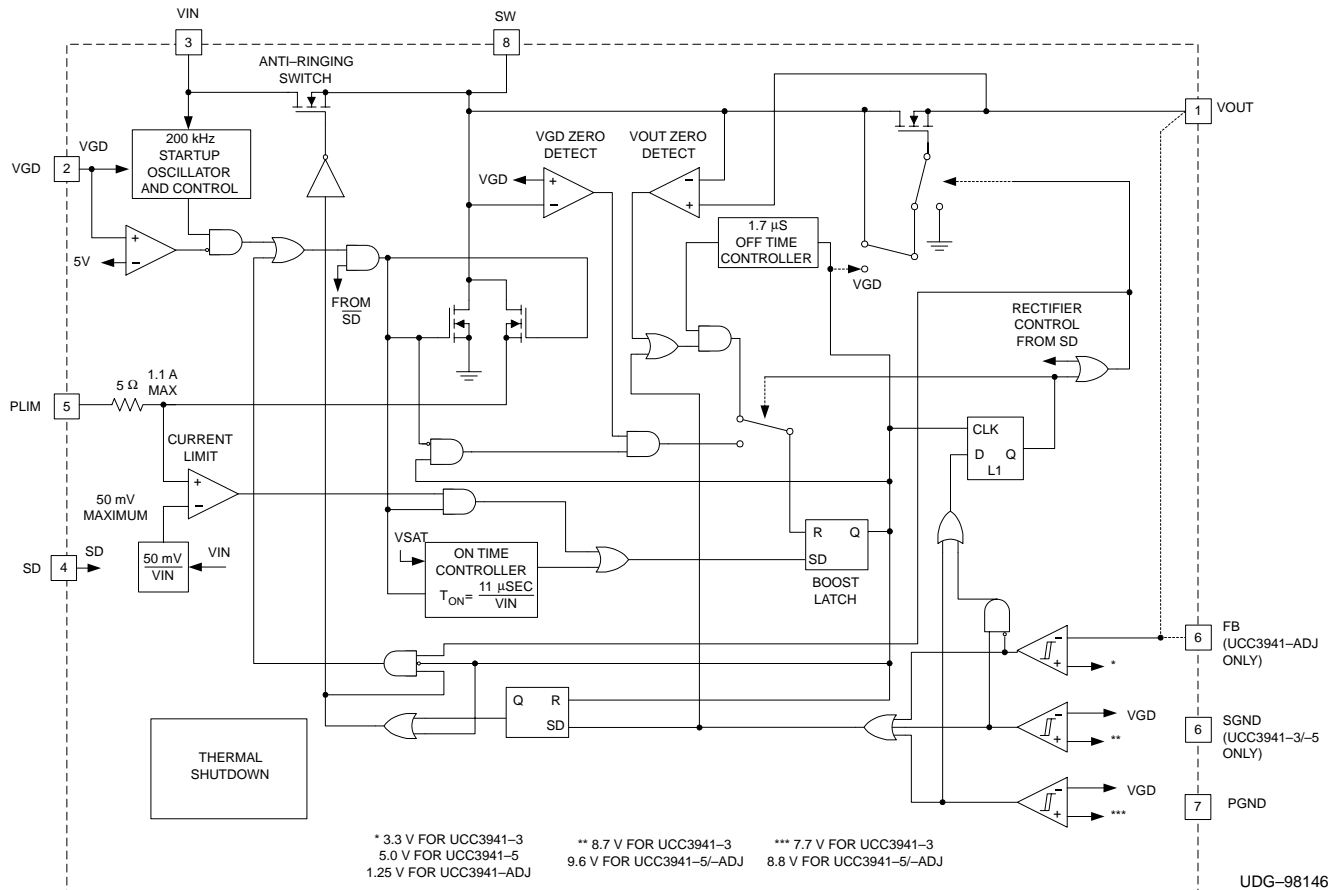
NOTE 2: For the UCC3941-3, $V_{OUT} = 3.47\text{ V}$ and $V_{GD} = 9.3\text{ V}$. For the UCC3941-5, $V_{OUT} = 5.25\text{ V}$, $V_{GD} = 9.3\text{ V}$. For the UCC3941-ADJ, $FB = 1.315\text{ V}$, $V_{GD} = 9.3\text{ V}$.

UCC2941-3, UCC2941-5, UCC2941-ADJ, UCC3941-3, UCC3941-5, UCC3941-ADJ 1-V SYNCHRONOUS BOOST CONVERTER

SLUS242B – JANUARY 1999 – REVISED JUNE 2001

APPLICATION INFORMATION

A detailed block diagram of the UCC3941 is shown in Figure 1. Unique control circuitry provides high-efficiency power conversion for both light and heavy loads by transitioning between discontinuous and continuous conduction based on load conditions. Figure 2 depicts converter waveforms for the application circuit shown in Figure 3. A single 22- μ H inductor provides the energy pulses required for a highly efficient 3.3-V converter at up to 500 mW output power.



NOTE: Switches are shown in the logic low state; external $R_{PLIM} = 6.2 \Omega$

Figure 1. 1-V Synchronous Boost

UCC2941-3, UCC2941-5, UCC2941-ADJ, UCC3941-3, UCC3941-5, UCC3941-ADJ 1-V SYNCHRONOUS BOOST CONVERTER

SLUS242B – JANUARY 1999 – REVISED JUNE 2001

APPLICATION INFORMATION

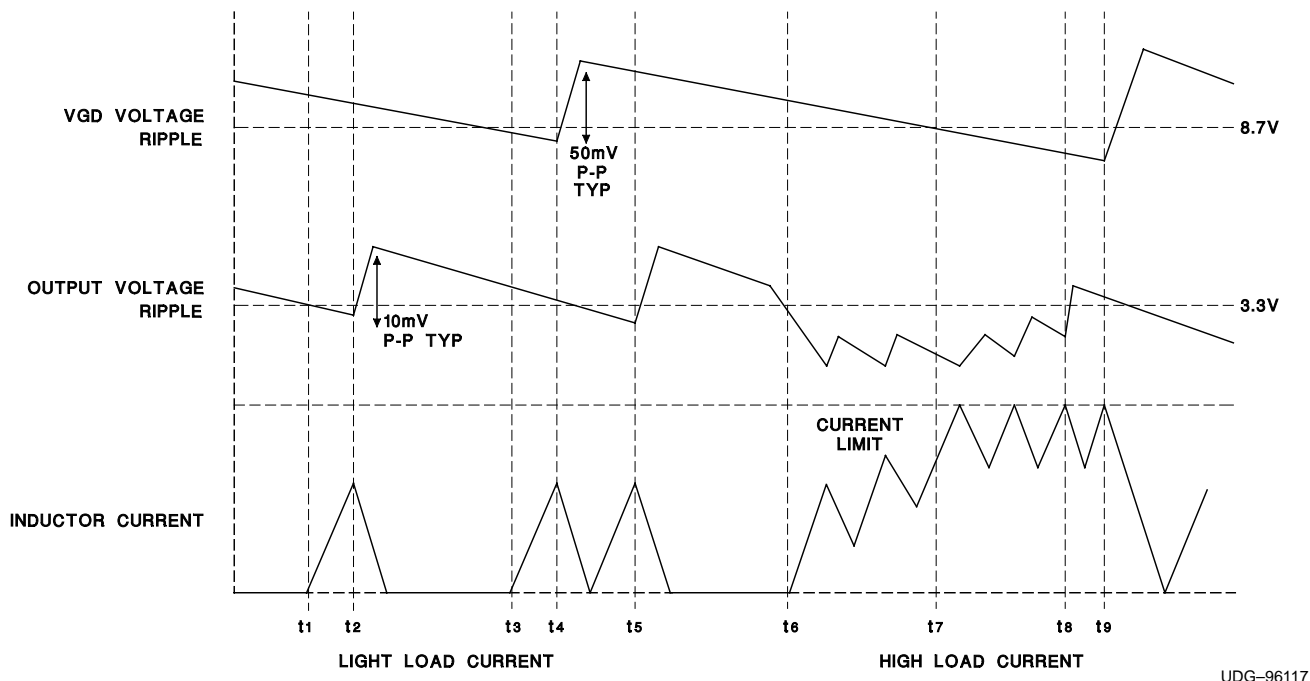


Figure 2. Inductor Current and Output Ripple Waveforms

At time t1, the 3.3-V output drops below its lower threshold, and the inductor is charged with an on time determined by:

$$t_{ON} = \frac{12 \mu s}{VIN} \quad (3)$$

For a 1.25-V input, and a 22- μ H inductor, the resulting peak current is approximately 500 mA. At time t2, the inductor begins to discharge with a minimum off time of 1.7 μ s. Under lightly loaded conditions, the amount of energy delivered in this single pulse satisfies the voltage-control loop, and the converter does not command any more energy pulses until the output again drops below the lower voltage threshold.

At time t3, the VGD supply has dropped below its lower threshold, but the output voltage is still above its threshold point. This results in an energy pulse to the gate drive supply at t4. However, while the gate drive is being serviced, the output voltage has dropped below its lower threshold, so the state machine commands an energy pulse to the output as soon as the gate drive pulse is completed.

Time t6, represents a transition between light and heavy load. A single energy pulse is not sufficient to force the output voltage above its upper threshold before the minimum off-time has expired, and a second charge cycle is commanded. Since the inductor current does not reach zero in this case, the peak current is greater than 0.5 A at the end of the next charge on time. This results in a ratcheting of the inductor current until either the output voltage is satisfied, or the converter reaches its programmed current limit. At time t7, the gate drive voltage has dropped below its threshold but the converter continues to service the output because it has highest priority, unless VGD drops below 7.5 V.

Between t7 and t8, the converter reaches its peak current limit which is determined by R_{PL} and VIN . Once the limit is reached, the converter operates in continuous mode with approximately 200 mA of ripple current. At time t8, the output voltage is satisfied, and the converter can service VGD, which occurs at t9.

APPLICATION INFORMATION

programming the power limit

The UCC3941 incorporates an adaptive power limit control that modifies the converter current limit as a function of input voltage. In order to program the function, the user simply determines the output power requirements and makes an initial converter efficiency estimate. The programming resistor is chosen by:

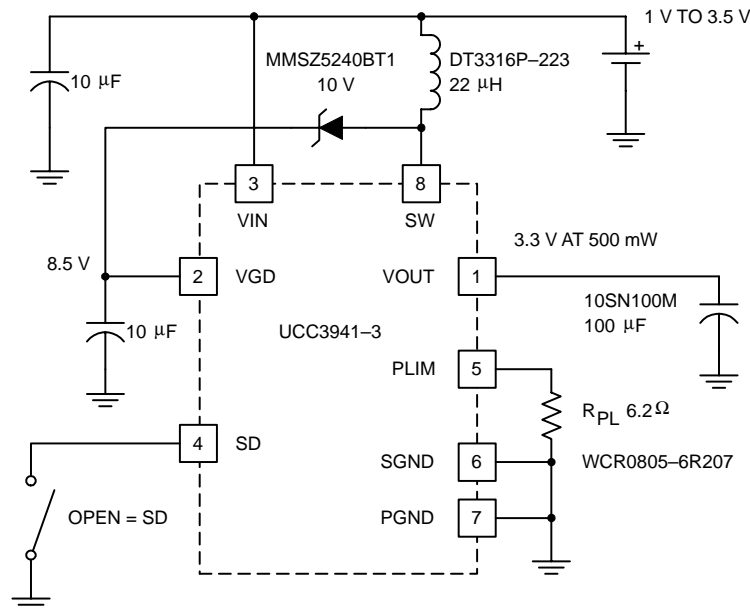
$$R_{PL} = \frac{11.8 \times n}{P_{OUT} - (0.26 \times n \times V_{BAT})} - 6.7 \quad (4)$$

Where n is the initial efficiency estimate. For 500 mW of output power, with a 1.0 V input, and an efficiency estimate of 0.75:

$$R_{PL} = \frac{11.8 \times 0.75}{0.5 - (0.26 \times 0.75 \times 1.0)} - 6.7 = 22 \Omega \quad (5)$$

For decreasing values of R_{PL} , the power limit increases. Therefore, to ensure that the converter can supply 500 mW of output power, a power limiting resistor of less than 22 Ω must be chosen.

$$P_L = V_{BAT} \times I_L = \left(\frac{11.8}{22 + 6.7} \right) + (1.0 \times 0.26) = 0.67 \text{ W} \quad (6)$$



UDG-98163

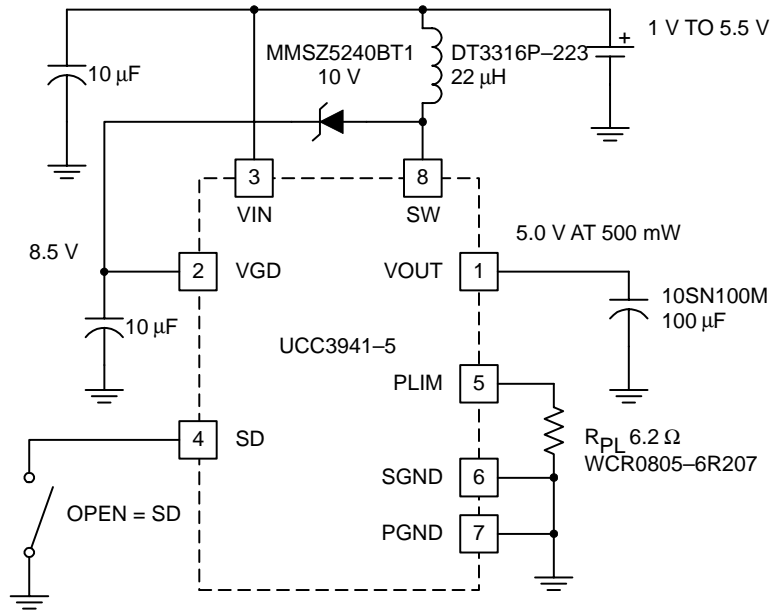
Figure 3. Dual Output Synchronous Boost, 3.3-V Version

UCC2941-3, UCC2941-5, UCC2941-ADJ, UCC3941-3, UCC3941-5, UCC3941-ADJ 1-V SYNCHRONOUS BOOST CONVERTER

SLUS242B – JANUARY 1999 – REVISED JUNE 2001

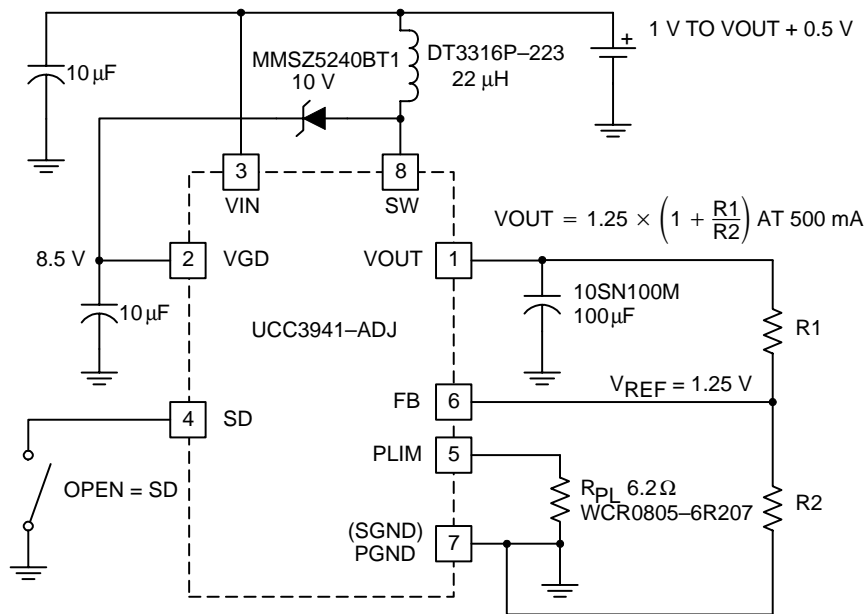
APPLICATION INFORMATION

programming the power limit (continued)



UDG-98159

Figure 4. Dual Output Synchronous Boost, 5-V Version



UDG-98164

Figure 5. Dual Output Synchronous Boost, Adjustable Version

APPLICATION INFORMATION

programming the power limit (continued)

This power limiting setting supports 0.5 W of output power. It should be noted that the power limit equation contains an approximation which results in slightly less actual input power than the equation predicts. This discrepancy results from the fact that the average current delivered to the load is less than the peak current set by the power limit function due to current ripple. However, if the ripple component of the current is kept low, the power limit equation can be used as an adequate estimate of input power. Furthermore, since an initial efficiency estimate was required, sufficient margin can be built into this estimate to ensure proper converter operation. The 6.2- Ω external power limit resistor (shown in Figures 3, 4, and 5) results in approximately 700 mW of power capability with a 1.0-V input.

inductor selection

An inductor value of 22 μ H works well in most applications, but values between 10 μ H and 100 μ H are also acceptable. Lower-value inductors typically offer lower ESR and smaller physical size. Due to the nature of the *bang-bang* controllers, larger inductor values typically results in larger overall voltage ripple, because once the output voltage level is satisfied the converter goes discontinuous, resulting in the residual energy of inductor causing overshoot.

It is recommended to keep the ESR of the inductor below 0.15 Ω for 500-mW applications. A Coilcraft DT3316P-223 surface mount inductor is one choice since it has a current rating of 1.5 A and an ESR of 84 m Ω . Other choices for surface mount inductors are shown in Table 1.

Table 1. Inductor Suppliers

MANUFACTURER	CONTACT INFORMATION	PART NUMBERS
Coilcraft	Cary, Illinois Tel: (708) 639-2361 Fax: (708) 639-1469	DT Series
Coiltronics	Boca Raton, Florida Tel: (407) 241-7878	CTX Series

UCC2941-3, UCC2941-5, UCC2941-ADJ, UCC3941-3, UCC3941-5, UCC3941-ADJ 1-V SYNCHRONOUS BOOST CONVERTER

SLUS242B – JANUARY 1999 – REVISED JUNE 2001

APPLICATION INFORMATION

output capacitor selection

Once the inductor value is selected, the capacitor value determines the ripple of the converter. The worst case peak-to-peak ripple of a cycle is determined by two components, one is due to the charge storage characteristic, and the other is the ESR of the capacitor. The worst-case ripple occurs when the inductor is operating at maximum current and is expressed as follows:

$$\Delta V = \frac{(I_{CL})^2 \times L}{2 \times C \times (V_O - V_I)} + (I_{CL} \times C_{ESR}) \tag{7}$$

where

- I_{CL} = the peak inductor current $\left(I_{CL} = \frac{\text{Power Limit}}{V_{IN}} \right)$
- ΔV = output ripple
- V_O = output voltage
- V_I = input voltage
- C_{ESR} = ESR of the output capacitor

A Sanyo OS-CON series surface mount capacitor (10SN100M) is one recommendation. This part has an ESR rating of 90 μW at 100 μF . Other potential capacitor sources are shown in Table 2.

Table 2. Capacitor Suppliers

MANUFACTURER	CONTACT INFORMATION	PART NUMBERS
Sanyo Video Components	San Diego, California Tel: (619) 661-6322 Fax: (619) 661-1055	OS-CON Series
AVX	Sanford, Maine Tel: (207) 282-5111 Fax: (207) 283-1941	TPS Series
Sprague	Concord, New Hampshire Tel: (603) 224-1961	695D Series

input capacitor selection

Since the UCC3941 family does not require a large decoupling capacitor on the input voltage to operate properly, a 10- μF capacitor is sufficient for most applications. Optimum efficiency occurs when the capacitor value is large enough to decouple the source impedance. This usually occurs for capacitor values in excess of 100 μF .

APPLICATION INFORMATION

system shutdown

The UCC3941 is enabled by shorting the SD pin to ground either directly or through a transistor. The UCC3941 is shut down when the SD pin is floated (an internal current source pulls up on the SD pin). Since the SD pin is not TTL compatible, 0 V enables the part but 3 V or even 5 V does not properly shut down the device.

The recommended circuit for a system requiring shutdown control is shown below. The enable line is driven from a microprocessor or system logic. If enable is low, the SD pin is floated since Q1 base voltage is too low to turn on. If enable is high, Q1 turns on and SD is grounded, enabling the UCC3941. A 1-M Ω resistor to VGD allows Q1 to turn on if the enable pin is high impedance during startup. If shutdown control is not required for the application, SD should be grounded directly.

CAUTION:

The UCC3941 should be allowed sufficient time to properly shutdown in a controlled manner. This is accomplished by ensuring that enable is held low at least 500 μ s before subsequently being brought high. Not adhering to the timings in Figure 7 can result in DEVICE FAILURE.

SHUTDOWN INTERFACE CIRCUIT

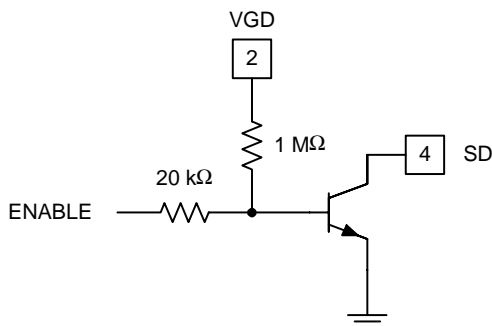


Figure 6

PROPOGATION DELAY AND RISE TIME

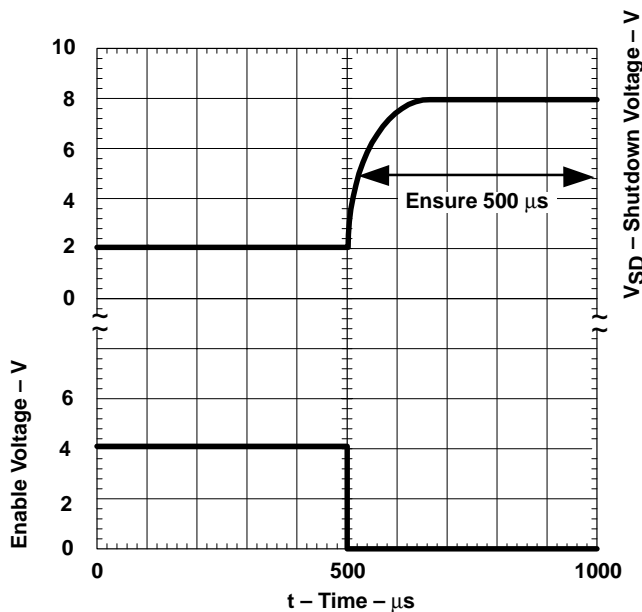


Figure 7. SD Timings

UCC2941-3, UCC2941-5, UCC2941-ADJ, UCC3941-3, UCC3941-5, UCC3941-ADJ 1-V SYNCHRONOUS BOOST CONVERTER

SLUS242B – JANUARY 1999 – REVISED JUNE 2001

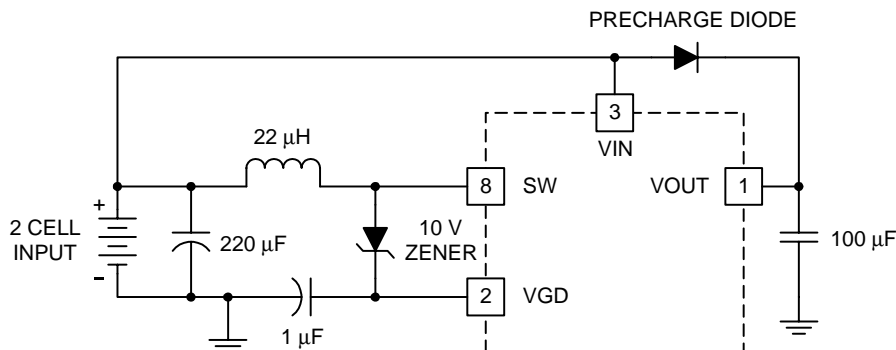
APPLICATION INFORMATION

SD interface circuit

reducing inrush current

A switch mode boost converter requires V_{IN} to be less than V_{OUT} in order to control current in the inductor. Forward voltage is applied across the inductor during the t_{ON} time (increasing current) while reverse voltage is applied during the t_{OFF} time (decreasing current). During startup, V_{OUT} is less than V_{IN} , resulting in inrush current until the output is charged.

The UCC3941 has two outputs; VGD and V_{OUT} . Inrush current in a two cell alkaline application is typically higher than with a single cell and should be minimized to reduce peak currents in the controller. The VGD inrush current can be minimized by reducing the value of the VGD capacitor. For example a 10- μF capacitor may cause a 3-A inrush where a 1- μF capacitor results in less than 1-A of inrush. Reducing the V_{OUT} inrush current is more difficult since the output capacitance may need to be large to minimize output ripple. In a two cell application, a diode from V_{IN} to V_{OUT} (shown in Figure 8) precharges the V_{OUT} capacitor and reduces inrush.



UDG-00155

Figure 8. Optional Precharge Diode for V_{OUT} for 2-Cell Input

avoiding inductor saturation

Inductor selection should take into account size, on resistance, and the current capabilities of the part. Inductor ratings include both saturation current and maximum operating current for the device. The R_{PLIM} resistor and inductor should be selected to guarantee the inductor does not saturate during normal operation. A saturated inductor can cause excessive peak currents and $\delta i/\delta t$ slopes which may result in part failure. Inrush and normal operating current should be viewed with a current probe and oscilloscope to ensure the inductor current is linear and controlled.

TYPICAL CHARACTERISTICS

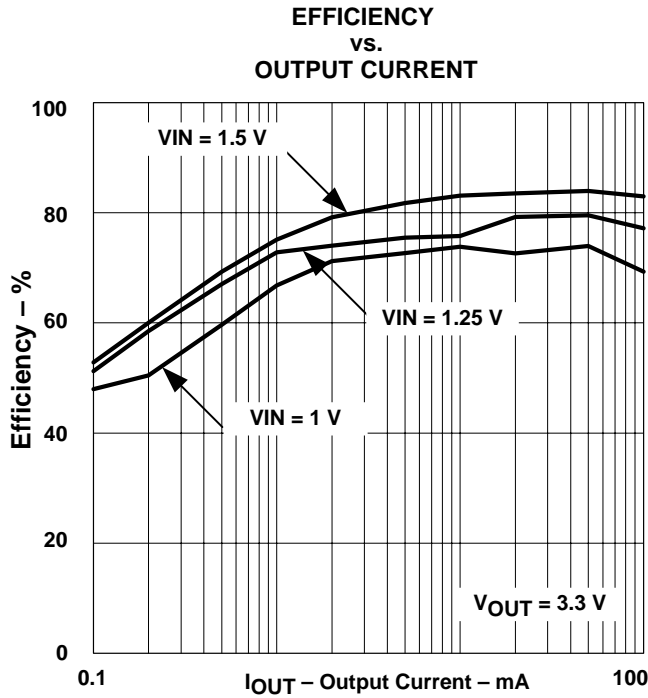


Figure 9

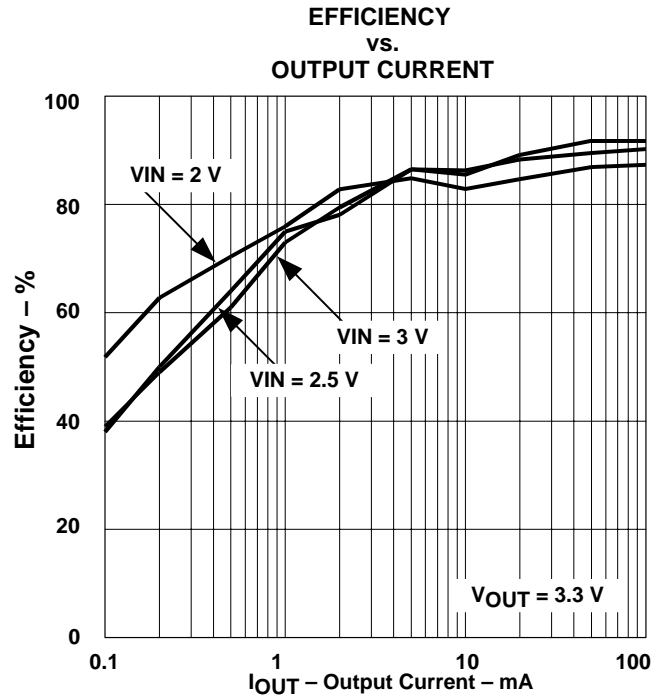


Figure 10

STARTUP CHARACTERISTICS

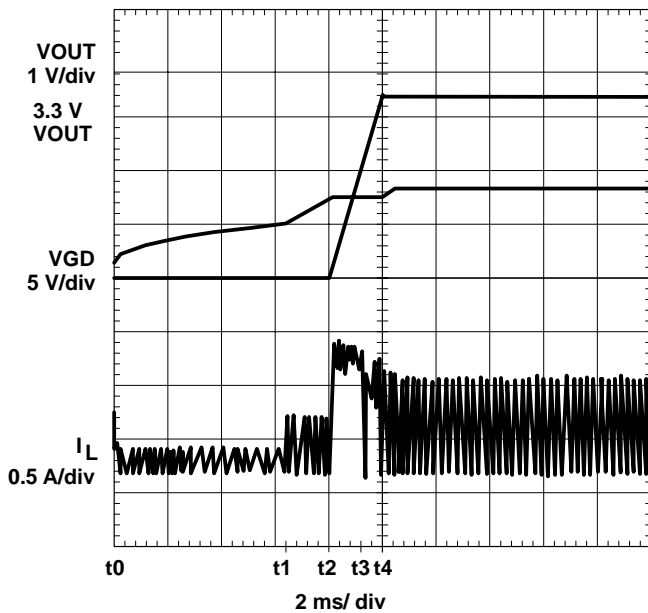


Figure 11

PSUEDO CONTINUOUS MODE OPERATION

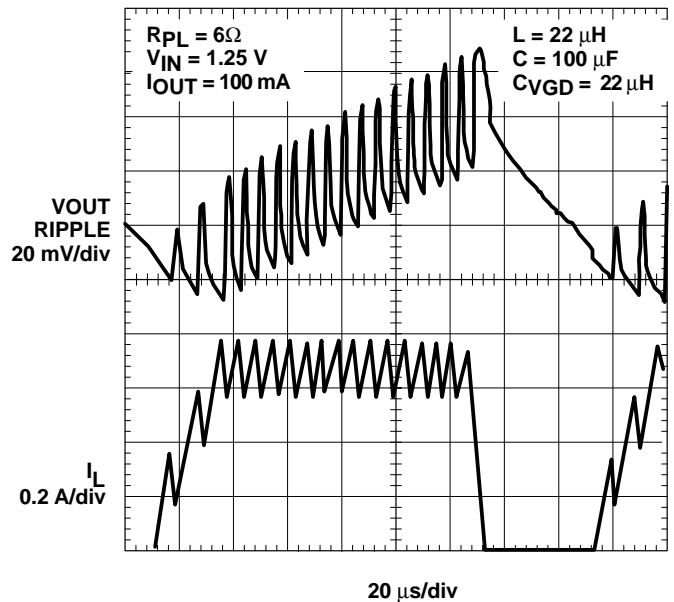


Figure 12

UCC2941-3, UCC2941-5, UCC2941-ADJ, UCC3941-3, UCC3941-5, UCC3941-ADJ 1-V SYNCHRONOUS BOOST CONVERTER

SLUS242B – JANUARY 1999 – REVISED JUNE 2001

startup characteristics timing sequence (for single output mode)

(see Figure 11)

- t0 the 200-kHz startup oscillator starts VGD rising
- t1 VGD reaches sufficient voltage (5 V) to run in normal operating mode
- t2 VGD reaches sufficient voltage (7.5 V) to start VOUT
- t3 VOUT is serviced and starts up
- t4 VOUT reaches sufficient voltage and VGD is serviced until it reaches 8.5 V

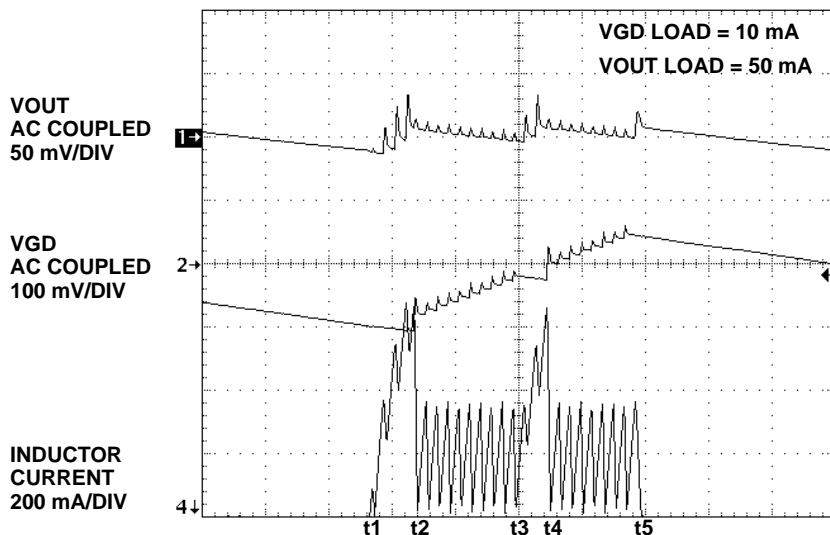


Figure 13.

startup characteristics timing sequence (for dual output mode)

(see Figure 13)

- t1 VOUT is serviced and inductor current goes continuous
- t2 VGD is serviced with discontinuous operation and reaches its first threshold (7.5 V)
- t3 VOUT requires servicing and because VGD has reached its minimum threshold of 7.5 V, VOUT takes priority
- t4 VOUT is satisfied and VGD is serviced until the second threshold (8.7 V) is reached
- t5 Both outputs are satisfied

TYPICAL CHARACTERISTICS

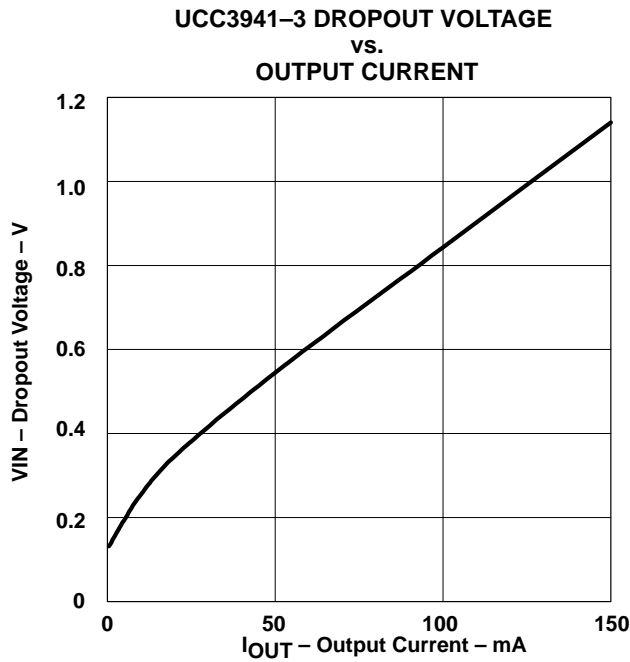


Figure 14

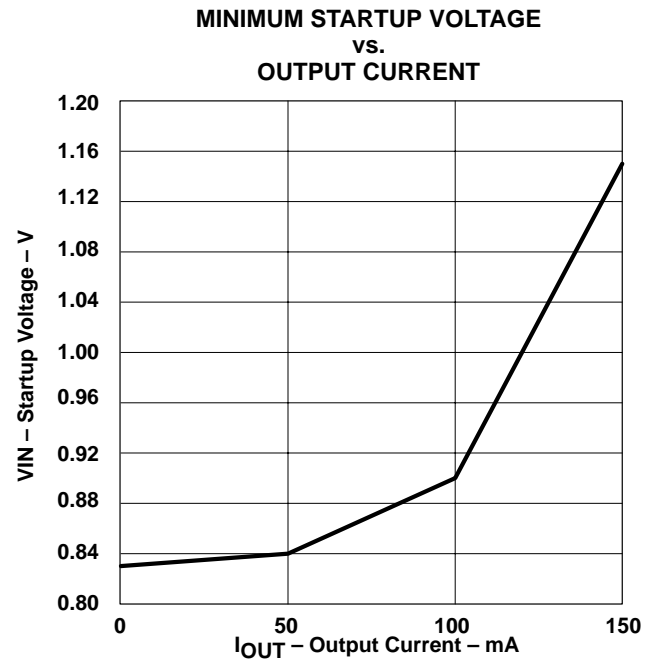
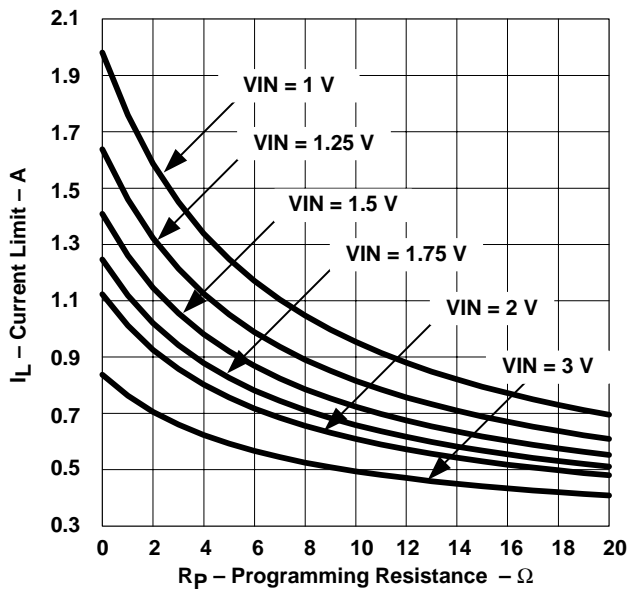


Figure 15

UCC3941-ADJ (N and D PACKAGES) CURRENT LIMIT
vs.
PROGRAMMING RESISTANCE



$$I_{L(Rp)} = \frac{11.5}{(6.7 + R_p) \times V_{BAT}} + 0.26$$

Figure 16

STARTUP VOLTAGE
vs.
TEMPERATURE

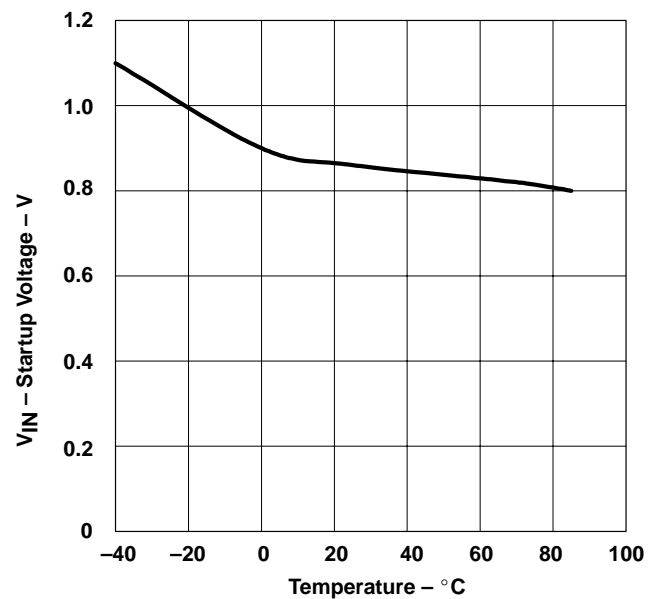


Figure 17

PACKAGING INFORMATION

Orderable Device	Status ⁽¹⁾	Package Type	Package Drawing	Pins	Package Qty	Eco Plan ⁽²⁾	Lead/Ball Finish	MSL Peak Temp ⁽³⁾
UCC2941D-3	LIFEBUY	SOIC	D	8	75	Green (RoHS & no Sb/Br)	CU NIPDAU	Level-2-260C-1 YEAR
UCC2941D-5	LIFEBUY	SOIC	D	8	75	Green (RoHS & no Sb/Br)	CU NIPDAU	Level-2-260C-1 YEAR
UCC2941D-5G4	NRND	SOIC	D	8	75	Green (RoHS & no Sb/Br)	CU NIPDAU	Level-2-260C-1 YEAR
UCC2941D-ADJ	LIFEBUY	SOIC	D	8	75	Green (RoHS & no Sb/Br)	CU NIPDAU	Level-2-260C-1 YEAR
UCC2941D-ADJG4	NRND	SOIC	D	8	75	Green (RoHS & no Sb/Br)	CU NIPDAU	Level-2-260C-1 YEAR
UCC2941N-5	LIFEBUY	PDIP	P	8	25	Green (RoHS & no Sb/Br)	CU NIPDAU	N / A for Pkg Type
UCC2941N-ADJG4	OBSOLETE	PDIP	P	8		TBD	Call TI	Call TI
UCC3941D-5	LIFEBUY	SOIC	D	8	75	Green (RoHS & no Sb/Br)	CU NIPDAU	Level-2-260C-1 YEAR
UCC3941D-ADJ	LIFEBUY	SOIC	D	8	75	Green (RoHS & no Sb/Br)	CU NIPDAU	Level-2-260C-1 YEAR
UCC3941D-ADJG4	NRND	SOIC	D	8	75	Green (RoHS & no Sb/Br)	CU NIPDAU	Level-2-260C-1 YEAR
UCC3941DTR-3	LIFEBUY	SOIC	D	8	2500	Green (RoHS & no Sb/Br)	CU NIPDAU	Level-2-260C-1 YEAR
UCC3941DTR-ADJ	LIFEBUY	SOIC	D	8	2500	Green (RoHS & no Sb/Br)	CU NIPDAU	Level-2-260C-1 YEAR
UCC3941DTR-ADJG4	NRND	SOIC	D	8	2500	Green (RoHS & no Sb/Br)	CU NIPDAU	Level-2-260C-1 YEAR
UCC3941N-3	LIFEBUY	PDIP	P	8	50	Green (RoHS & no Sb/Br)	CU NIPDAU	N / A for Pkg Type
UCC3941N-3G4	NRND	PDIP	P	8	50	Green (RoHS & no Sb/Br)	CU NIPDAU	N / A for Pkg Type
UCC3941N-5	LIFEBUY	PDIP	P	8	50	Green (RoHS & no Sb/Br)	CU NIPDAU	N / A for Pkg Type
UCC3941N-ADJ	LIFEBUY	PDIP	P	8	50	Green (RoHS & no Sb/Br)	CU NIPDAU	N / A for Pkg Type
UCC3941N-ADJG4	NRND	PDIP	P	8	50	Green (RoHS & no Sb/Br)	CU NIPDAU	N / A for Pkg Type

⁽¹⁾ The marketing status values are defined as follows:

ACTIVE: Product device recommended for new designs.

LIFEBUY: TI has announced that the device will be discontinued, and a lifetime-buy period is in effect.

NRND: Not recommended for new designs. Device is in production to support existing customers, but TI does not recommend using this part in a new design.

PREVIEW: Device has been announced but is not in production. Samples may or may not be available.

OBSOLETE: TI has discontinued the production of the device.

⁽²⁾ Eco Plan - The planned eco-friendly classification: Pb-Free (RoHS), Pb-Free (RoHS Exempt), or Green (RoHS & no Sb/Br) - please check <http://www.ti.com/productcontent> for the latest availability information and additional product content details.

TBD: The Pb-Free/Green conversion plan has not been defined.

Pb-Free (RoHS): TI's terms "Lead-Free" or "Pb-Free" mean semiconductor products that are compatible with the current RoHS requirements for all 6 substances, including the requirement that lead not exceed 0.1% by weight in homogeneous materials. Where designed to be soldered at high temperatures, TI Pb-Free products are suitable for use in specified lead-free processes.

Pb-Free (RoHS Exempt): This component has a RoHS exemption for either 1) lead-based flip-chip solder bumps used between the die and package, or 2) lead-based die adhesive used between the die and leadframe. The component is otherwise considered Pb-Free (RoHS

compatible) as defined above.

Green (RoHS & no Sb/Br): TI defines "Green" to mean Pb-Free (RoHS compatible), and free of Bromine (Br) and Antimony (Sb) based flame retardants (Br or Sb do not exceed 0.1% by weight in homogeneous material)

⁽³⁾ MSL, Peak Temp. -- The Moisture Sensitivity Level rating according to the JEDEC industry standard classifications, and peak solder temperature.

Important Information and Disclaimer:The information provided on this page represents TI's knowledge and belief as of the date that it is provided. TI bases its knowledge and belief on information provided by third parties, and makes no representation or warranty as to the accuracy of such information. Efforts are underway to better integrate information from third parties. TI has taken and continues to take reasonable steps to provide representative and accurate information but may not have conducted destructive testing or chemical analysis on incoming materials and chemicals. TI and TI suppliers consider certain information to be proprietary, and thus CAS numbers and other limited information may not be available for release.

In no event shall TI's liability arising out of such information exceed the total purchase price of the TI part(s) at issue in this document sold by TI to Customer on an annual basis.

IMPORTANT NOTICE

Texas Instruments Incorporated and its subsidiaries (TI) reserve the right to make corrections, modifications, enhancements, improvements, and other changes to its products and services at any time and to discontinue any product or service without notice. Customers should obtain the latest relevant information before placing orders and should verify that such information is current and complete. All products are sold subject to TI's terms and conditions of sale supplied at the time of order acknowledgment.

TI warrants performance of its hardware products to the specifications applicable at the time of sale in accordance with TI's standard warranty. Testing and other quality control techniques are used to the extent TI deems necessary to support this warranty. Except where mandated by government requirements, testing of all parameters of each product is not necessarily performed.

TI assumes no liability for applications assistance or customer product design. Customers are responsible for their products and applications using TI components. To minimize the risks associated with customer products and applications, customers should provide adequate design and operating safeguards.

TI does not warrant or represent that any license, either express or implied, is granted under any TI patent right, copyright, mask work right, or other TI intellectual property right relating to any combination, machine, or process in which TI products or services are used. Information published by TI regarding third-party products or services does not constitute a license from TI to use such products or services or a warranty or endorsement thereof. Use of such information may require a license from a third party under the patents or other intellectual property of the third party, or a license from TI under the patents or other intellectual property of TI.

Reproduction of information in TI data books or data sheets is permissible only if reproduction is without alteration and is accompanied by all associated warranties, conditions, limitations, and notices. Reproduction of this information with alteration is an unfair and deceptive business practice. TI is not responsible or liable for such altered documentation.

Resale of TI products or services with statements different from or beyond the parameters stated by TI for that product or service voids all express and any implied warranties for the associated TI product or service and is an unfair and deceptive business practice. TI is not responsible or liable for any such statements.

Following are URLs where you can obtain information on other Texas Instruments products and application solutions:

Products		Applications	
Amplifiers	amplifier.ti.com	Audio	www.ti.com/audio
Data Converters	dataconverter.ti.com	Automotive	www.ti.com/automotive
DSP	dsp.ti.com	Broadband	www.ti.com/broadband
Interface	interface.ti.com	Digital Control	www.ti.com/digitalcontrol
Logic	logic.ti.com	Military	www.ti.com/military
Power Mgmt	power.ti.com	Optical Networking	www.ti.com/opticalnetwork
Microcontrollers	microcontroller.ti.com	Security	www.ti.com/security
Low Power Wireless	www.ti.com/lpw	Telephony	www.ti.com/telephony
		Video & Imaging	www.ti.com/video
		Wireless	www.ti.com/wireless

Mailing Address: Texas Instruments
Post Office Box 655303 Dallas, Texas 75265