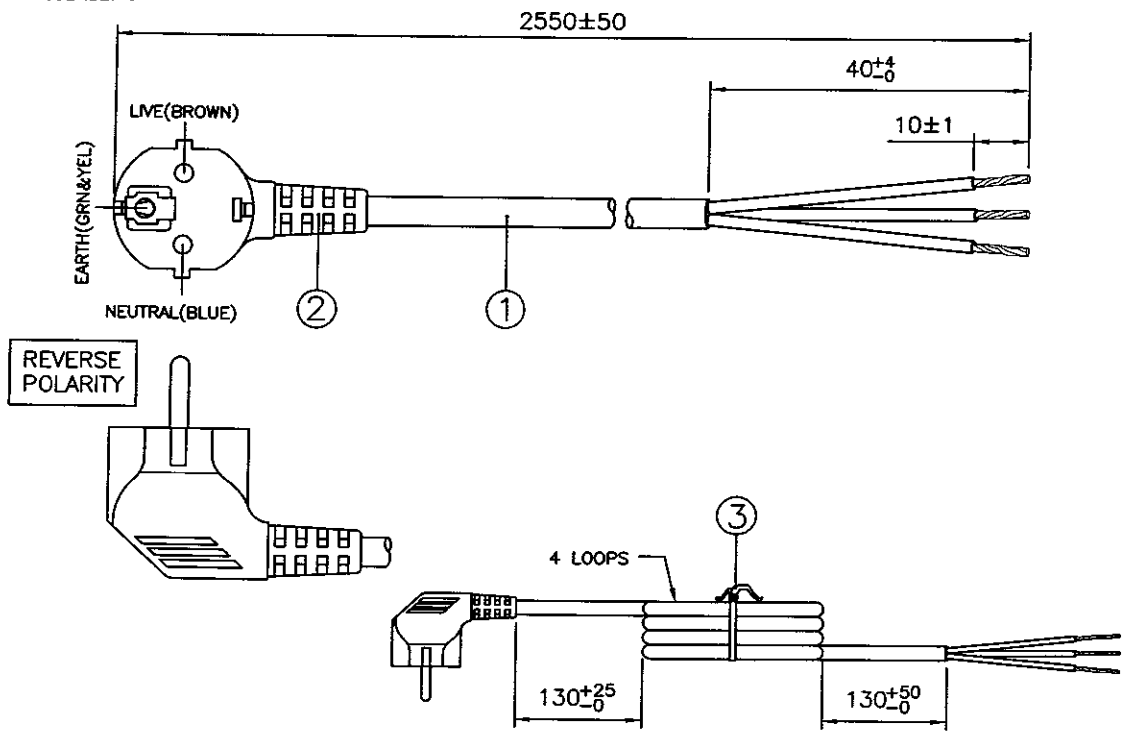


DRAWING NUMBER:
HG02-069-05

CABLE CUTTING
CABLE SOURCE :
1. BAO HING(SHENZHEN).
2. TONG YUAN(SHENZHEN).

ASSEMBLY :



- Notes :
1. ALL DIMENSIONS IN mm.
 2. PLUG MARKING : REFER TO MARKING DRAWING NO. : VP-0006E.
 3. PLUG DETAILS : REFER TO PRODUCT DRAWING NO. : P-0020.
 4. THIS PART CAN BE MANUFACTURED AT ANY LOCATION WHICH HAS SAFETY APPROVAL.
 5. CONNECTION TO THE PLUG IS IN REVERSE POLARITY.

REV.	ECN REF. NO.	DESCRIPTION	DATE
1	HG02-069-05	INITIAL RELEASE.	17/02/05

FOR ENQUIRY ONLY
NOT FOR MASS PRODUCTION

APPROVAL BY : _____
DATE : _____

3	6" PE TIE WHT	6310055	1
	IP60G NL7976B BLK	4100115	-
2	MOLDED PLUG M2511A (16A 250V)	M2511A	1
1	HO5V-F 3X1.00 BLK PVC LEAD FREE	1210365	-

S/N	DESCRIPTION	ITEM NUMBER	QTY
TITLE : EUROPEAN POWER SUPPLY CORD (ROHS FR)		PAGE : 1/1	
CUSTOMER : VPE / FARNELL		HG02-069-05	
CUSTOMER PART NUMBER : X-285663A		REVISION	
F/G CODE : - - - -		1	

SALES :	QA :	ENGRG :	CHECKED BY :	DRAWN BY :	Voilex (Asia) Pte Ltd <small>Confidential property of Voilex. Information contained herein shall not be disclosed to others, reproduced or used for any other purposes except as authorized in writing by an authorized official of voilex asia.</small>
				WANGHUI	
DATE :	DATE :	DATE :	DATE :	DATE :	
		18/2/05	18/2/05	17/02/05	