

## HP1 - Series



### FEATURES

- Miniature general purpose PCB mounting type.
- Require small space of PCB.
- Low cost from unique structure.
- Designed for two wire cord system

### APPLICATIONS

- Digital equipment
- Personal computers and peripherals.
- Measuring instruments and medical instruments.
- For use in miniature equipment.
- For TV, VCR monitors and display units.
- For home appliances.

### Technical Data

Rated Voltage	~250VAC,DC ;50/60Hz
Rated Current	21-3.6A
Operating Temperature Range	-25°C to+85°C including temperature rise. VDE0565-3:-2.3.3and-4.5
Climatic category	25/85/21acc,to IEC/EN60068-1
Leakage current measuring method	UL 1283 (3rd Edition): -26 and Fig26. 1 LC200 with 250V AC 60Hz
Withstand Voltage	1500V AC for 1 minute between line and ground. 1800V DC for 1 minute between line and line. Meet over voltage category II(2.5kV) of IEC 664.
Insulation Resistance	300MΩ minimum at 500V DC between line and ground.
Voltage Drop	1 volt maximum at rated current

### Approval

HIP-P** - **	UL, CSA, VDE, SEMKO,
--------------	----------------------

### Marking

1. Trademark.
2. Model No.
3. Rated Voltage and Current
4. Climate category.
5. Circuit Diagram and Component Value
6. Lot No.
7. Approval

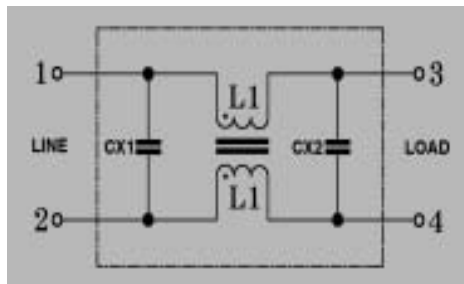
## HP1 - Series

### Guaranteed Minimum Attenuation In [dB]

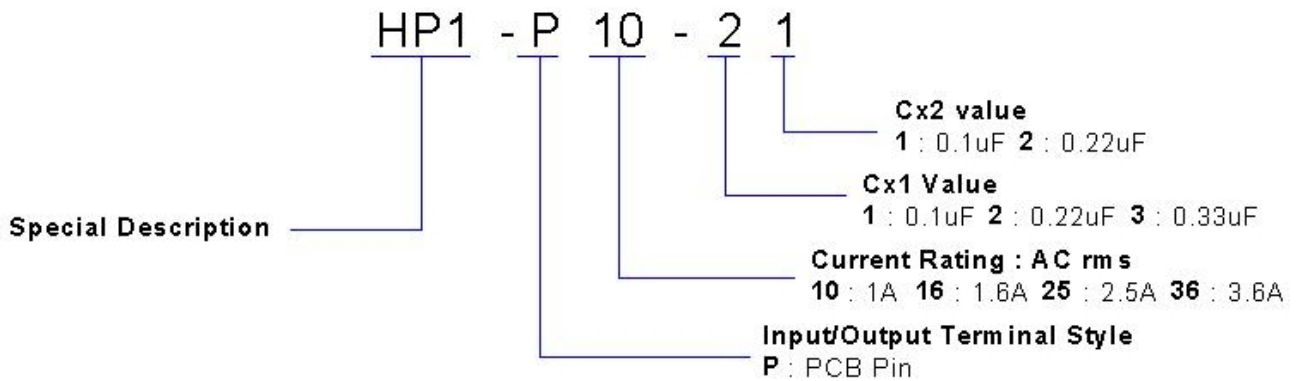
Model No.	Rated Voltage AC,DC[V]	Rated Current [A]	Inductance L1[mH]+50%-30%	Capacitance Cx1[μF] ±20%	Capacitance Cx2[μF] ±20%	Leakage Current Max.[uA]	Temperature Rise Max.[°C]
HP1-P10-**	250	1.0	11.0	*	*	10.0	40
HP1-P16-**	250	1.6	6.0	*	*	10.0	40
HP1-P25-**	250	2.5	2.4	*	*	10.0	40
HP1-P36-**	250	3.6	1.2	*	*	10.0	40
HP1-P**	*	*	*	0.1	0.1	*	*
HP1-P**-21	*	*	*	0.22	0.1	*	*
HP1-P**-22	*	*	*	0.22	0.22	*	*
HP1-P**-31	*	*	*	0.33	0.1	*	*

### Circuit Diagram

#### 1. HP1-P\*\*-\*\* TYPE



### Model Number Construction

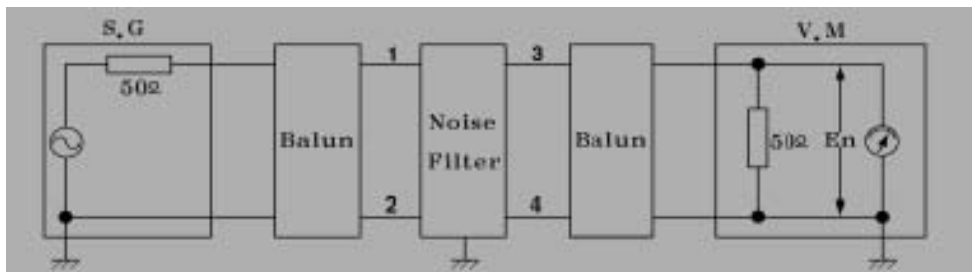


## HP1 - Series

### Guaranteed Minimum Attenuation in (dB)

Model	Common mode [MHz]							Differential mode [MHz]						
	0.15	0.45	1	2	5	10	30	0.15	0.45	1	2	5	10	30
HP1-P10	40	54	37	30	22	17	4	25	60	60	60	60	50	35
HP1-P10-21	37	47	40	33	24	16	1	38	68	71	65	58	52	38
HP1-P10-22	36	45	39	32	21	15	1	42	67	66	60	52	49	40
HP1-P10-31	39	50	47	39	29	22	5	40	68	70	64	56	52	45
HP1-P16	33	45	38	31	22	17	4	10	50	60	60	60	50	35
HP1-P25	25	37	39	31	22	18	5	10	40	60	60	60	50	40
HP1-P36	20	28	30	30	27	21	8	10	34	60	60	55	50	45

### Attenuation Measuring Method



OSC Level : 0dB

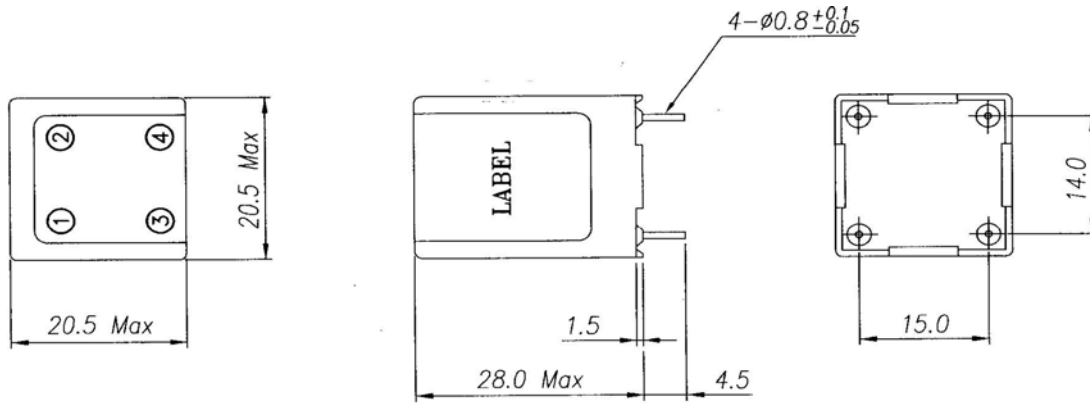
Insertion loss =  $-20\log(E1/E2)$  [dB]

E1 : Level with the Noise Filter in the circuit

E2 : Level without the Noise Filter in the circuit

## HP1 - Series

Shape and Dimension Unit : (mm)



\* General Tolerance :  $\pm 0.5$