



Comair Rotron Specification Sheet

Specification Date: July 10, 2006

RoHS Compliant

Preliminary Data

COMAIR ROTRON PART NUMBER: 040719
COMAIR ROTRON MODEL NUMBER: MFX24Z3E

A.) MOTOR:

RATED VOLTAGE:	24 Vdc
OPERATING VOLTAGE RANGE:	12 Vdc – 36 Vdc
LOW-START VOLTAGE:	10 Vdc
RUNNING CURRENT:	4 Amps
RATED POWER:	96.5 Watts
NOMINAL SPEED:	5,050 RPM \pm 200 (At Free Delivery)
START UP TIME:	8 Seconds Maximum
MOTOR TYPE:	Brushless DC
MOTOR PROTECTION:	By Integrated Circuit, Fuse
LOCKED ROTORT PROTECTION:	Electronic
POLARITY PROTECTION:	Yes
AUTOMATIC RESTART CAPABILITY:	By Integrated Circuit
ROTATION:	Counterclockwise

B.) MECHANICAL

DIMENSIONS:	179.85mm x 50.8mm (7.08" x 2.00") <i>Figure 1</i>
WEIGHT:	0.925 Kg (2.04 lbs)
BEARING TYPE:	Ball Bearing, Permanently Lubricated, Shielded
VENTURI:	Die Cast Aluminium, Black
PROPELLER:	Plastic, Black, UL94V-0



Comair Rotron Specification Sheet

Specification Date: July 10, 2006

RoHS Compliant

Preliminary Data

COMAIR ROTRON PART NUMBER:

040719

COMAIR ROTRON MODEL NUMBER:

MFx24Z3E

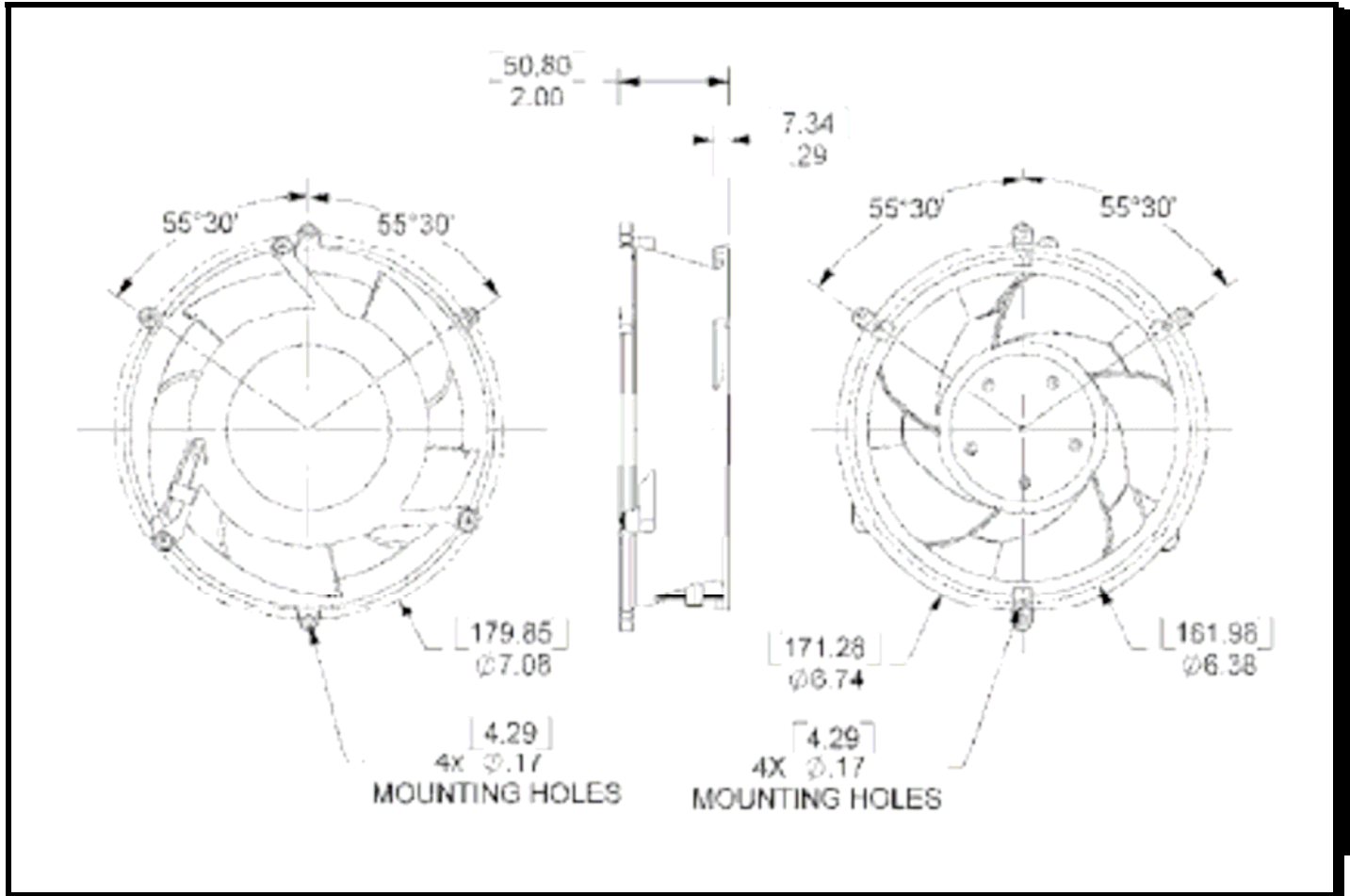


Figure 1

C.) ADDITIONAL FEATURES

TACHOMETER OUTPUT:

Open Collector
 $V_{CC} = 60\text{vdc max.}$
 $I_C = 20\text{mA typical.}$
 2 Pulses per Revolution

D.) ENVIRONMENTAL

OPERATING TEMPERATURE:

-10°C to +70°C

STORAGE TEMPERATURE:

-40°C to +80° C

HUMIDITY:

5% to 95% RH, non-condensing

VIBRATION:

3G's (20 to 200 Hz)



Comair Rotron Specification Sheet

Specification Date: July 10, 2006

RoHS Compliant

Preliminary Data

COMAIR ROTRON PART NUMBER:

040719

COMAIR ROTRON MODEL NUMBER:

MFX24Z3E

SHOCK:

100G peak, 10 msec, half sine wave

E.) PERFORMANCE CHARACTERISTICS

AIR FLOW:

390 CFM \pm 10%

(At Free Delivery and 24Vdc)

STATIC PRESSURE:

2.23" Inches of H₂O

(At Shut-Off and 24Vdc)

ACOUSTIC LEVEL:

69.1 dBA

(Freely Suspended at 1 meter per
ANSI S12.11-1987 at 24Vdc)

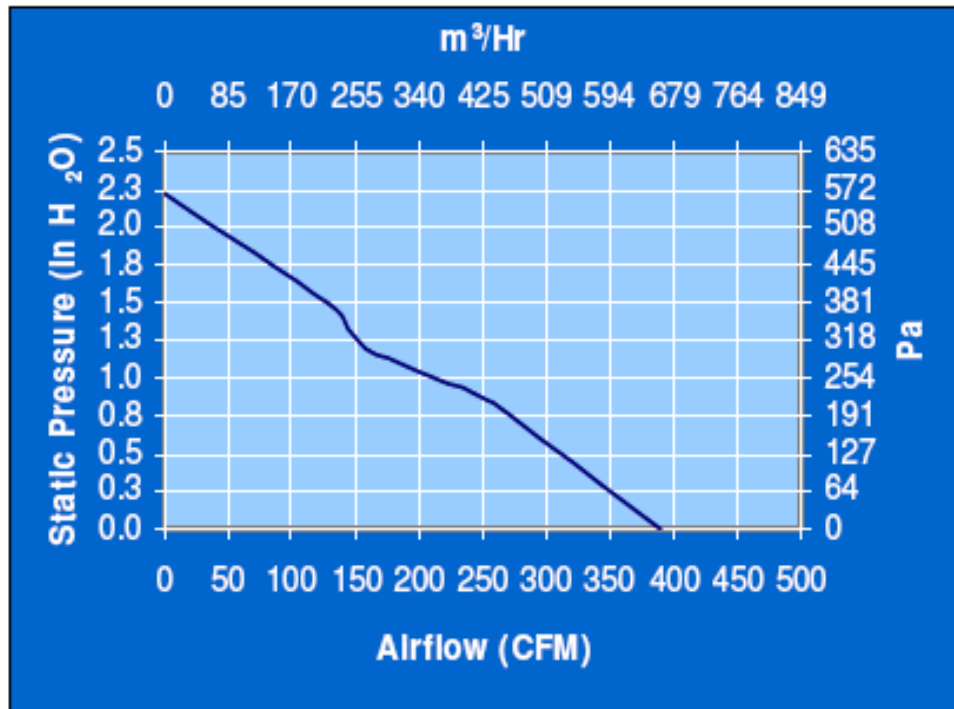


Figure 2



Comair Rotron Specification Sheet

Specification Date: July 10, 2006

RoHS Compliant

Preliminary Data

COMAIR ROTRON PART NUMBER:

040719

COMAIR ROTRON MODEL NUMBER:

MFX24Z3E

F.) TERMINATION

LEADWIRES:

305mm \pm 13mm (12.0" \pm 0.50")

20 AWG, UL 1061 Style

(From the edge of the motor base to the tip of the lead wires)

COLOR DESIGNATION:

Red – Power

Black – Return

Blue/White – Tachometer Output

G.) RELIABILITY

This fan is designed for continuous duty life of 50,000 Hours at 40°C, (L10) (*testing not complete*)

H.) SAFETY

UL, CSA, TUV, CE (*Pending*)

I.) Flammability

The motorized Impeller including all components meets an UL94V-0 rating or better.