



Comair Rotron Specification Sheet

Specification Date: July 10, 2006

RoHS Compliant

Preliminary Data

COMAIR ROTRON PART NUMBER: 040720
COMAIR ROTRON MODEL NUMBER: MFX48Z3E

A.) MOTOR:

RATED VOLTAGE:	48 Vdc
OPERATING VOLTAGE RANGE:	36 Vdc – 72 Vdc
LOW-START VOLTAGE:	32 Vdc
RUNNING CURRENT:	2 Amps
RATED POWER:	96.5 Watts
NOMINAL SPEED:	5,050 RPM \pm 200 (At Free Delivery)
START UP TIME:	8 Seconds Maximum
MOTOR TYPE:	Brushless DC
MOTOR PROTECTION:	By Integrated Circuit, Fuse
LOCKED ROTORT PROTECTION:	Electronic
POLARITY PROTECTION:	Yes
AUTOMATIC RESTART CAPABILITY:	By Integrated Circuit
ROTATION:	Counterclockwise

B.) MECHANICAL

DIMENSIONS:	179.85mm x 50.8mm (7.08" x 2.00") <i>Figure 1</i>
WEIGHT:	0.925 Kg (2.04 lbs)
BEARING TYPE:	Ball Bearing, Permanently Lubricated, Shielded
VENTURI:	Die Cast Aluminium, Black
PROPELLER:	Plastic, Black, UL94V-0



Comair Rotron Specification Sheet

Specification Date: July 10, 2006

RoHS Compliant

Preliminary Data

COMAIR ROTRON PART NUMBER:

040720

COMAIR ROTRON MODEL NUMBER:

MFx48Z3E

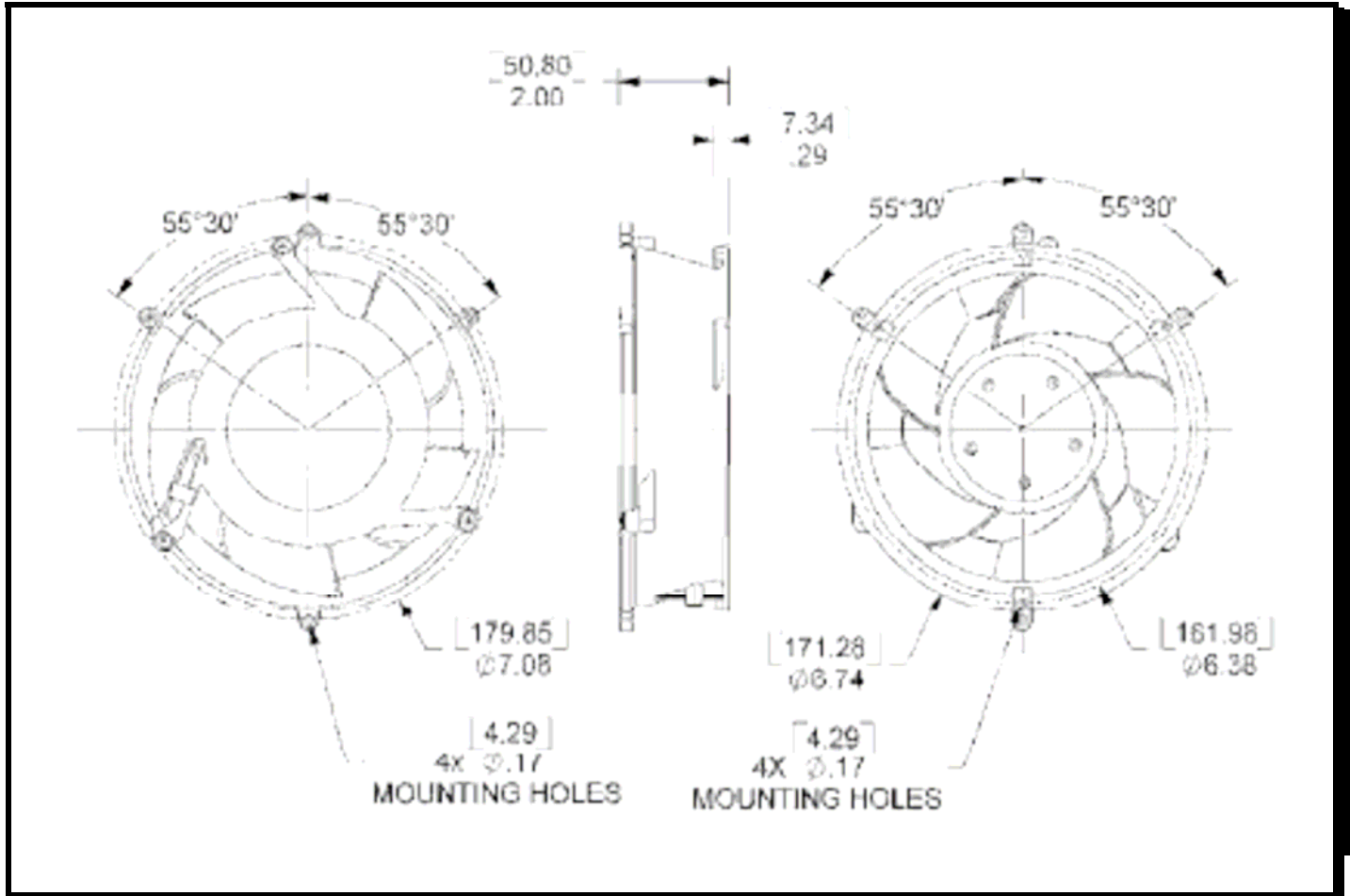


Figure 1

C.) ADDITIONAL FEATURES

TACHOMETER OUTPUT:

Open Collector
 $V_{CC} = 60\text{vdc max.}$
 $I_C = 20\text{mA typical.}$
 2 Pulses per Revolution

D.) ENVIRONMENTAL

OPERATING TEMPERATURE:

-10°C to +70°C

STORAGE TEMPERATURE:

-40°C to +80° C

HUMIDITY:

5% to 95% RH, non-condensing

VIBRATION:

3G's (20 to 200 Hz)



Comair Rotron Specification Sheet

Specification Date: July 10, 2006

RoHS Compliant

Preliminary Data

COMAIR ROTRON PART NUMBER: 040720
COMAIR ROTRON MODEL NUMBER: MFX48Z3E

SHOCK: 100G peak, 10 msec, half sine wave

E.) PERFORMANCE CHARACTERISTICS

AIR FLOW: 390 CFM \pm 10%
(At Free Delivery and 48Vdc)

STATIC PRESSURE: 2.23" Inches of H₂O
(At Shut-Off and 48Vdc)

ACOUSTIC LEVEL: 69.1 dBA
(Freely Suspended at 1 meter per
ANSI S12.11-1987 at 48Vdc)

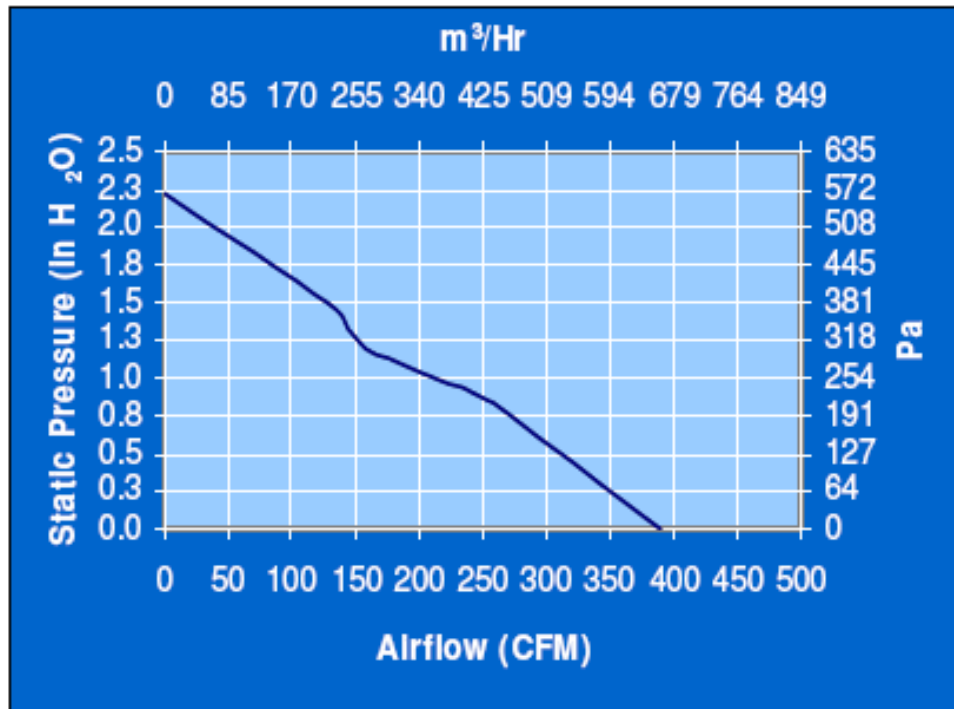


Figure 2



Comair Rotron Specification Sheet

Specification Date: July 10, 2006

RoHS Compliant

Preliminary Data

COMAIR ROTRON PART NUMBER: 040720
COMAIR ROTRON MODEL NUMBER: MFX48Z3E

F.) TERMINATION

LEADWIRES:

305mm ± 13mm (12.0" ± 0.50")
20 AWG, UL 1061 Style
(From the edge of the motor base to the tip
of the lead wires)

COLOR DESIGNATION:

Red – Power
Black – Return
Blue/White – Tachometer Output

G.) RELIABILITY

This fan is designed for continuous duty life of 50,000 Hours at 40°C, (L10) (*testing not complete*)

H.) SAFETY

UL, CSA, TUV, CE (*Pending*)

I.) Flammability

The motorized Impeller including all components meets an UL94V-0 rating or better.