

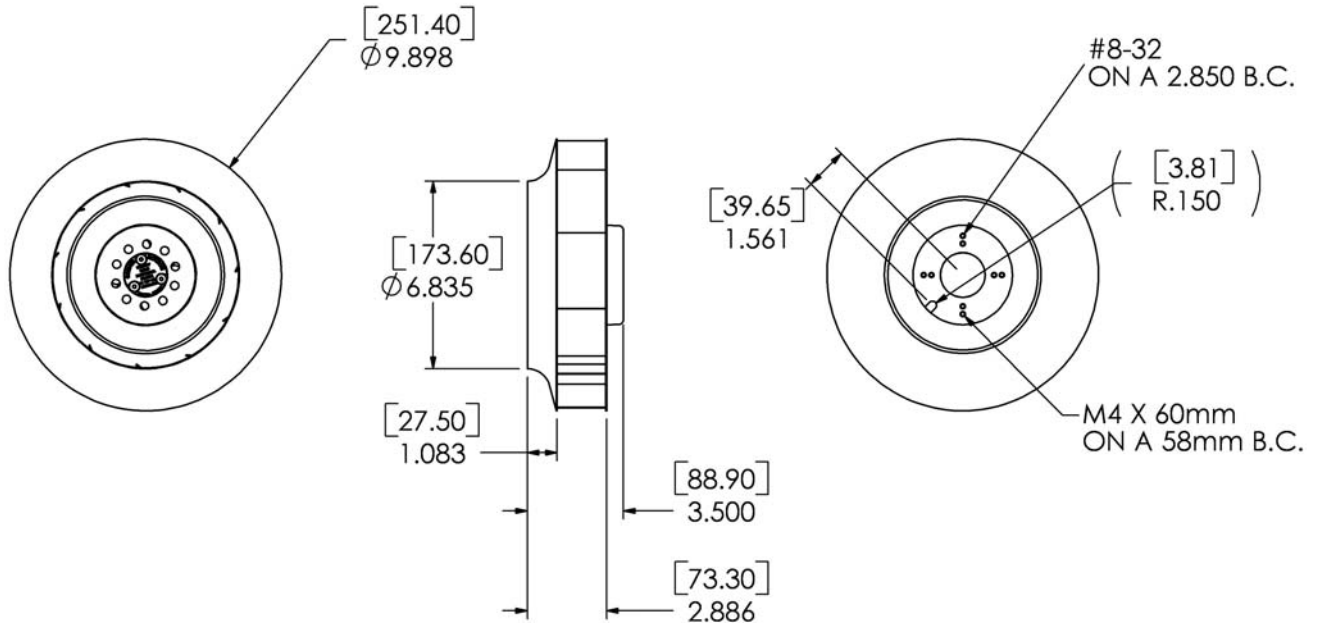
SPECIFICATIONS



Model Number: DD983524B1A
Part Number: 039876

August 10, 2005

Mechanical Drawing:



Motor:

Nominal Voltage	= 24 vdc
Operating Voltage Range	= 12 - 32 vdc
Nominal Running Current	= 4.2 amps
Locked Rotor Current	= 8.5 amps
Running Power	= 100 watts
Average Speed	= 2300 rpm
Bearings	= Ball
Air Flow	= 700 CFM
Acoustic	= 74.0 dBA

Construction:

Motor Base: Die Cast Aluminum
 Propeller: Sheet Metal, Galvanized

Life Expectancy:

This fan is designed for continuous duty life of 60,000 hours at 40°C.

Agency Approvals:

cURus, TUV, CE

Additional Features:

Brushless DC Motor
 Polarity Protected
 Locked Rotor Protection
 Automatic Reset Capability
 Soft Start Capability
 Operating Temperature: -40°C to 75°C
 Storage Temperature: -50°C to 85°C

Tachometer:

Output: 5 VDC TTL Compatible
 I_c : 5 mA Typical
 Pulses per Revolution: 3
 Isolated: No

Termination:

12" Lead-wires, AWG 22, UL1061
 Red = Power (+)
 Black = Ground (-)
 Blue/White = Tachometer (Output)