

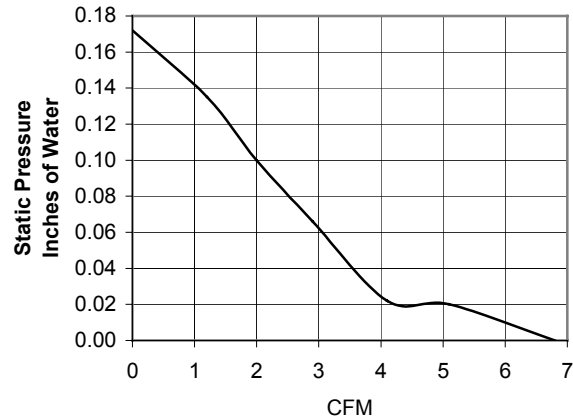
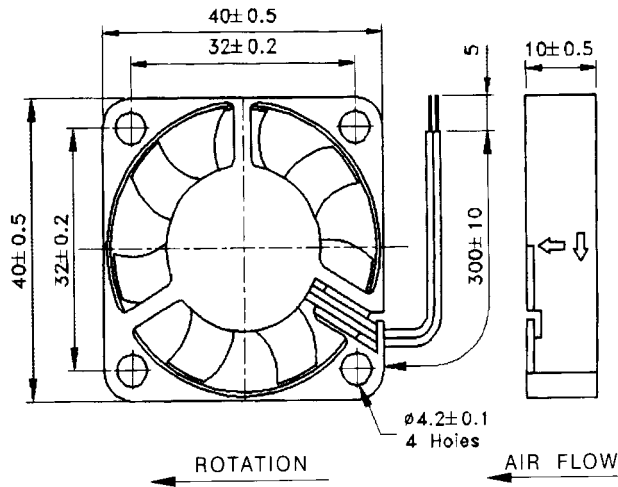
SPECIFICATIONS



Model Number: CR0424HB – G70
Part Number: 032612

April 17, 2003

Mechanical Drawing:



Motor:

Nominal Voltage	= 24 volts
Operating Voltage Range	= 21.6 – 26.4 volts
Nominal Running Current	= 0.070 amps
Running Power	= 1.68 watts
Average Speed	= 6000 rpm
Bearings	= Ball
Air Flow	= 6.8 cfm
Acoustics	= 27.5 dBA

Construction:

Venturi: Plastic, Black, UL 94V-0
Propeller: Plastic, Black, UL 94V-0

Life Expectancy:

This fan is designed for continuous duty life of 50,000 hours at 25°C.

Additional Features:

Brushless DC Motor
Locked Rotor Protection
Polarity Protected
Automatic Restart Capability
Operating Temperature: -10°C to 70°C
Storage Temperature: -40°C to 75°C

Termination:

300 mm Leadwires, AWG 26, UL 1007

Red = Power (+)
Black = Return (-)