

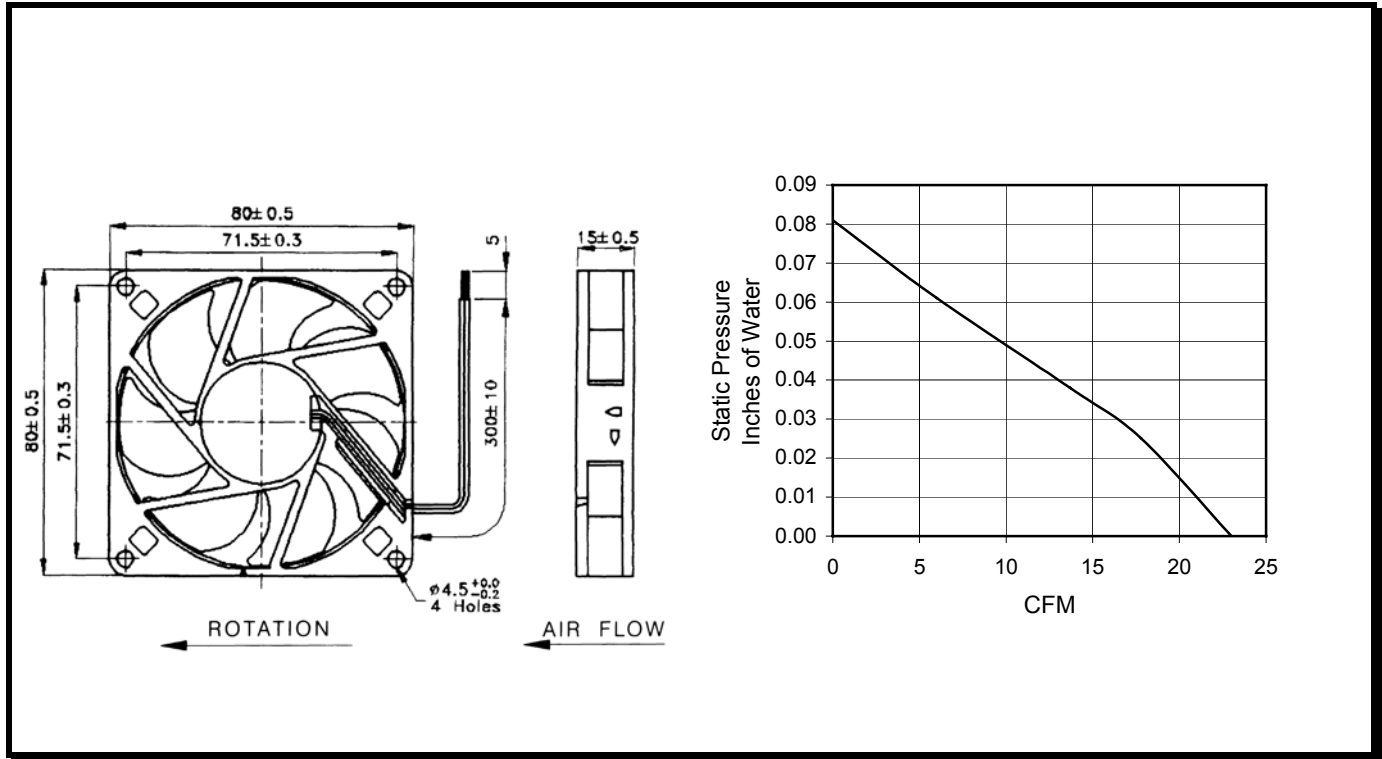
SPECIFICATIONS



Model Number: CR0805MB-D71
Part Number: 032716

August 13, 2001

Mechanical Drawing:



Motor:

Nominal Voltage = 5 VDC
Operating Voltage Range = 4.5 – 5.5 VDC
Nominal Running Current = 0.240 Amps
Running Power = 1.20 Watts
Average Speed = 2440 RPM
Bearings = Ball
Air Flow = 22.0 CFM
Acoustics = 26.0 dBA

Construction:

Venturi: Plastic, Black, UL 94V-0
Propeller: Plastic, Black, UL 94V-0

Life Expectancy:

This fan is designed for continuous duty life of 50,000 hours at 25°C.

Additional Features:

Brushless DC Motor
Locked Rotor Protection
Polarity Protected
Automatic Restart Capability
Operating Temperature: -10°C to 70°C
Storage Temperature: -40°C to 75°C

Termination:

300 mm Leadwires, AWG 24, UL 1007
Red = Power (+)
Black = Return (-)

Agency Approvals:

UL, CUR, TUV, CE