

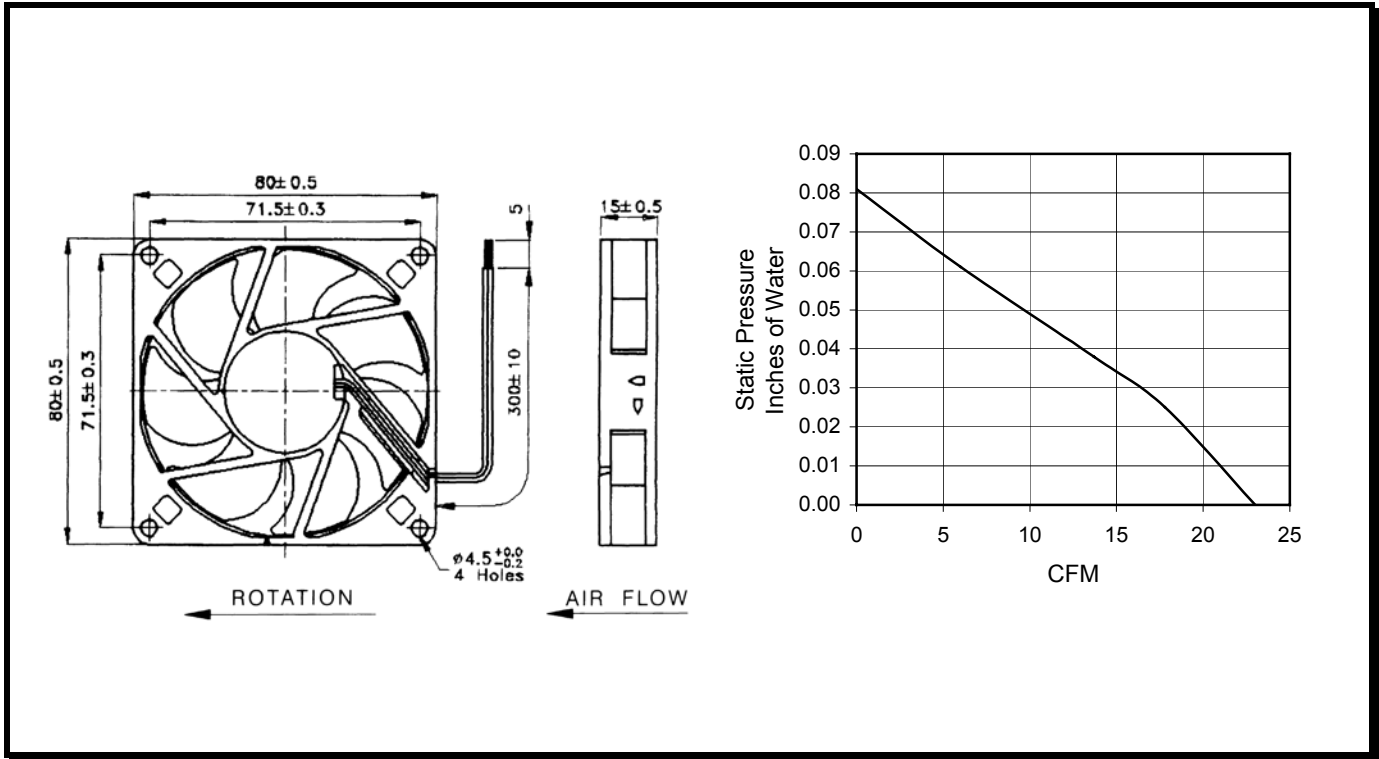
SPECIFICATIONS



Model Number: CR0812MB-D71
Part Number: 032720

August 13, 2001

Mechanical Drawing:



Motor:

Nominal Voltage	= 12 VDC
Operating Voltage Range	= 10.8 – 13.2 VDC
Nominal Running Current	= 0.150 Amps
Running Power	= 1.80 Watts
Average Speed	= 2440 RPM
Bearings	= Ball
Air Flow	= 22.0 CFM
Acoustics	= 26.0 dBA

Construction:

Venturi: Plastic, Black, UL 94V-0
Propeller: Plastic, Black, UL 94V-0

Life Expectancy:

This fan is designed for continuous duty life of 50,000 hours at 25°C.

Additional Features:

- Brushless DC Motor
- Locked Rotor Protection
- Polarity Protected
- Automatic Restart Capability
- Operating Temperature: -10°C to 70°C
- Storage Temperature: -40°C to 75°C

Termination:

300 mm leadwires, AWG 24, UL 1007
Red = Power (+)
Black = Return (-)

Agency Approvals:

UR, CUR, TUV, CE