

San Ace 60 S type DC Fan

Features

Low noise and low vibration

- Reduced sound pressure level by up to 6 dB.* (at the max. air flow when adjusting the PQ curve of each fan at the same level)
- Reduced vibration by about 50% compared with our conventional products.*
- Reduced switching noise audible at low speed.

* Our conventional product is the DC cooling fan : 60mm square x 25mm thick fan " San Ace 60 " (9A0612H402)



60mm square x 25mm thick

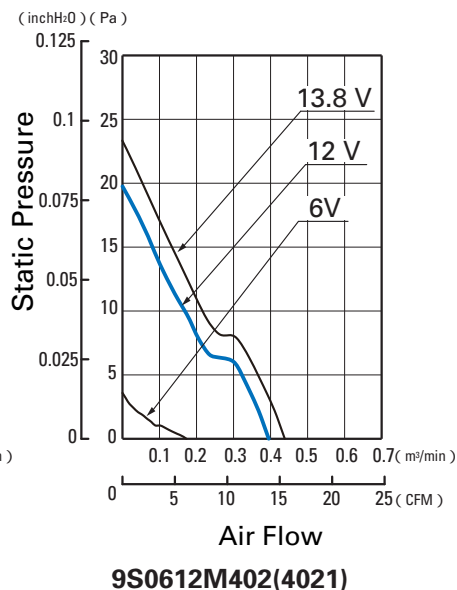
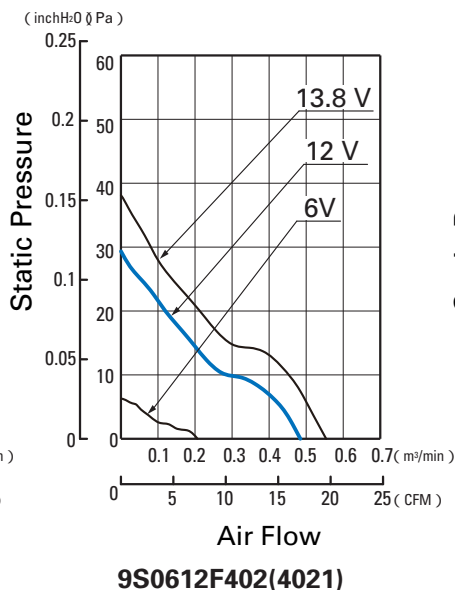
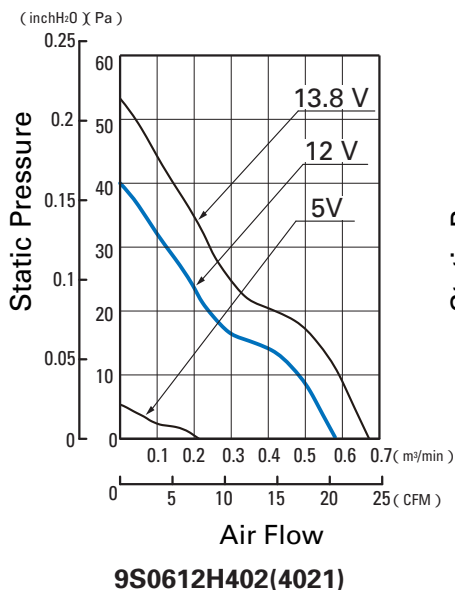
Specifications

Model No.	Rated Voltage (V)	Operating Voltage Range (V)	Rated Current (A)	Rated Input (W)	Rated Speed (min ⁻¹)	Air Flow (m ³ /min) (CFM)	Static Pressure (Pa) (inchH ₂ O)	SPL (dB[A])	Operating Temperature Range (°C)	Life Expectancy (h)
9S0612H402(4021)	12	5.0 to 13.8	0.11	1.32	3,900	0.58 20.5	40.0 0.16	24	- 10 to + 70	40,000
9S0612F402(4021)		6.0 to 13.8	0.08	0.96	3,300	0.49 17.3	29.3 0.12	20		
9S0612M402(4021)		6.0 to 13.8	0.07	0.84	2,700	0.40 14.1	19.7 0.08	16		

The numbers in () represent ribless models.

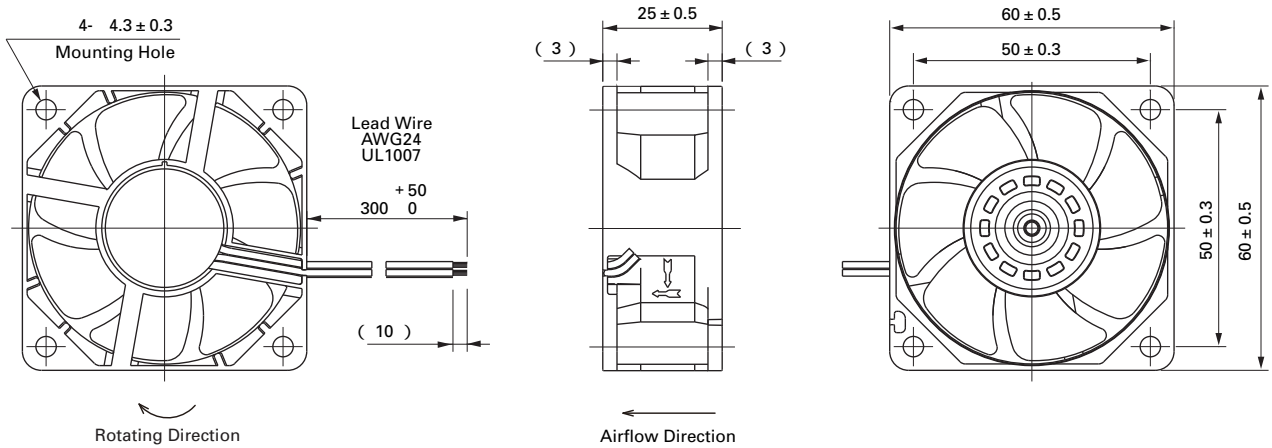
Air Flow and Static Pressure Characteristics

60 mm



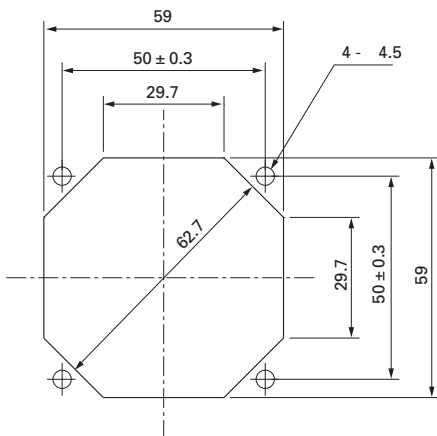
ECO PRODUCTS

Dimensions (unit : mm)



Reference dimension of mounting holes and vent opening (unit : mm)

Air inlet side · Air outlet side



60mm

Common Specifications

Material	Frame: Plastics (Flammability: UL94V-0), Impeller: Plastics (Flammability: UL94V-1)
Life Expectancy	Varies for each model (L10: Survival rate: 90% at 60°C, rated voltage, and continuously run in a free air state)
Motor Protection System	Current blocking function and Reverse polarity protection
Dielectric Strength	50/60 Hz, 500VAC, 1 minute (between lead conductor and frame)
Sound Pressure Level (SPL)	Expressed as the value at 1m from air inlet side
Operating Temperature Range	Varies for each model (Non-condensing)
Lead Wire	+ red - black
Mass	55g

Notice

The products shown in the catalog are subject to Japanese Export Control Law. Diversion contrary to the law of exporting country is prohibited.
To protect against electrolytic corrosion that may occur in locations with strong electromagnetic noise, we provide fans that are unaffected by electrolytic corrosion.