

# San Ace 120 S type DC Fan



## Features

### Low noise and low vibration

- Reduced sound pressure level by about 5 dB.\*
- Reduced vibration by about 50% compared with our conventional products.\*
- Reduced switching noise audible at low speed.

\* Our conventional product is the DC cooling fan:  
120mm square × 25 mm thick fan "San Ace 120" (9G1212M402)

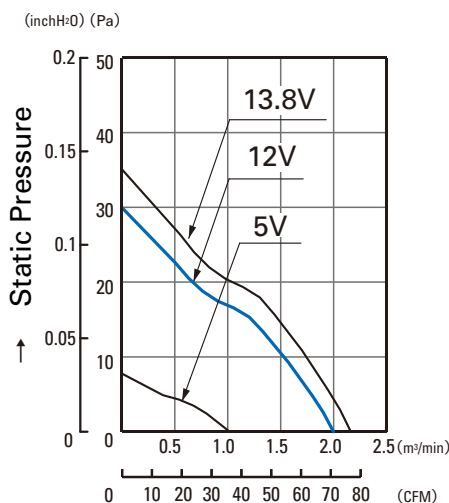
**120mm square × 25mm thick**

## Specifications

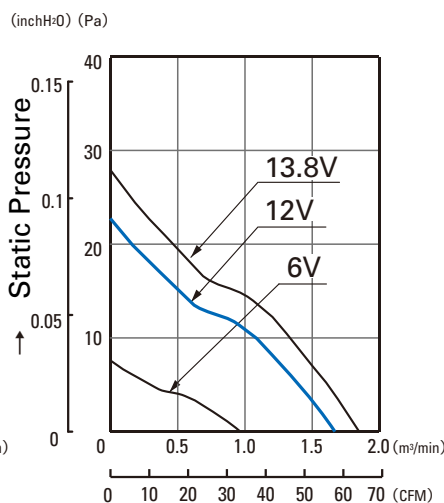
Model No.	Rated Voltage (V)	Operating Voltage Range (V)	Rated Current (A)	Rated Input (W)	Rated Speed (min <sup>-1</sup> )	Air Flow (m <sup>3</sup> /min) (CFM)	Static Pressure (Pa) (inchH <sub>2</sub> O)	SPL (dB[A])	Operating Temperature Range (°C)	Life Expectancy (h)
9S1212F402(4021)	12	5.0 to 13.8	0.19	2.28	2,200	2.00 70.6	30.0 0.12	30	- 10 to + 70	40,000
9S1212M402(4021)		6.0 to 13.8	0.13	1.56	1,850	1.66 58.6	22.7 0.09	24		
9S1212L402(4021)		7.0 to 13.8	0.08	0.96	1,500	1.36 48.1	14.9 0.06	17		

The numbers in ( ) represent ribless models.

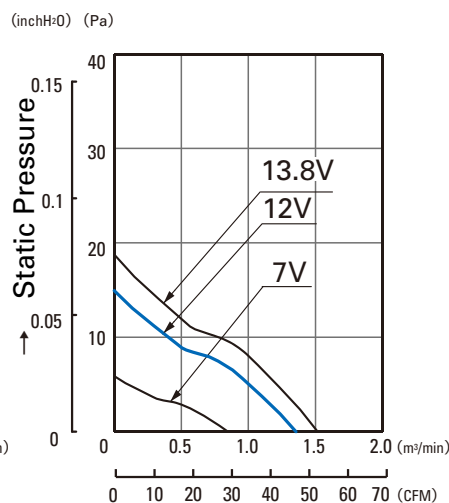
## Air Flow and Static Pressure Characteristics



→ Air Flow  
**9S1212F402(4021)**



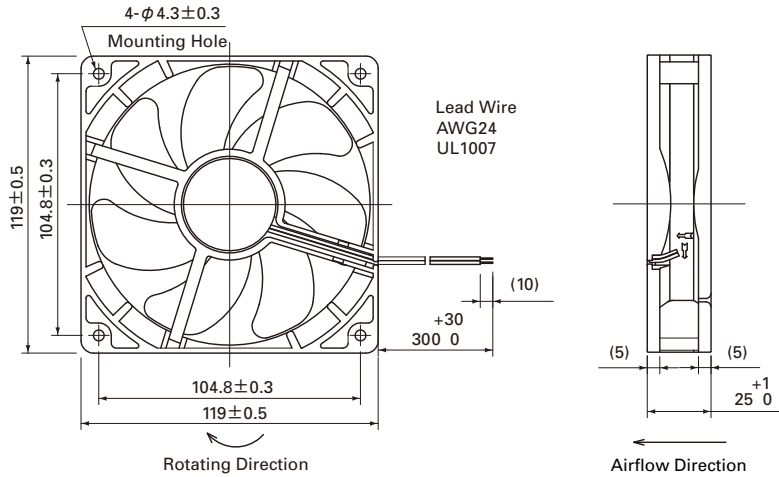
→ Air Flow  
**9S1212M402(4021)**



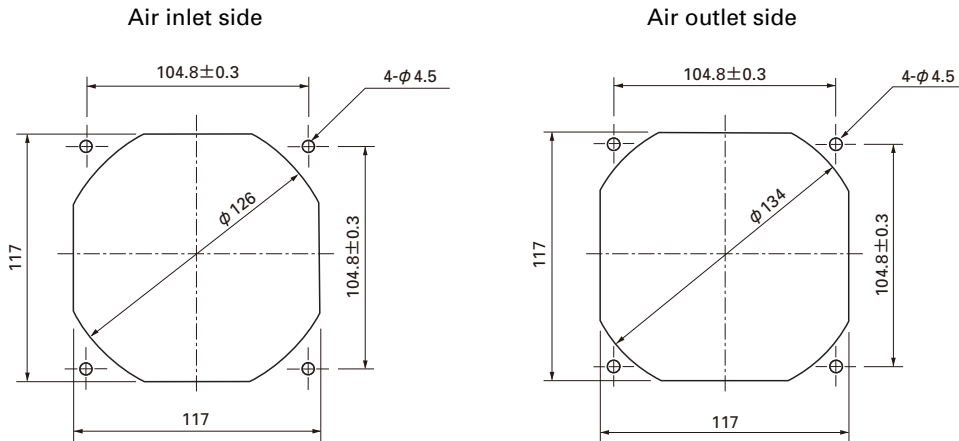
→ Air Flow  
**9S1212L402(4021)**

120 mm

## ■ Dimensions (unit : mm)



## ■ Reference dimension of mounting holes and vent opening (unit : mm)



## ■ Common Specifications

- Material ..... Frame: Plastics (Flammability: UL94V-0), Impeller: Plastics (Flammability: UL94V-1)
- Life Expectancy ..... Varies for each model  
(L10:Survival rate: 90% at 60°C, rated voltage, and continuously run in a free air state)
- Motor Protection System ..... Current blocking function and Reverse polarity protection
- Dielectric Strength ..... 50/60 Hz, 500VAC, 1 minute (between lead conductor and frame)
- Sound Pressure Level (SPL) ..... Expressed as the value at 1m from air inlet side
- Operating Temperature Range ..... Varies for each model (Non-condensing)
- Lead Wire .....  $\oplus$ red  $\ominus$ black
- Mass ..... 140g

## Notice

- The products shown in the catalog are subject to Japanese Export Control Law. Diversion contrary to the law of exporting country is prohibited.
- To protect against electrolytic corrosion that may occur in locations with strong electromagnetic noise, we provide fans that are unaffected by electrolytic corrosion.

**SANYO DENKI CO., LTD.** 1-15-1, Kita-otsuka, Toshima-ku, Tokyo 170-8451, Japan. PHONE :+ 81 3 3917 5151 Home Page: <http://www.sanyodenki.co.jp>