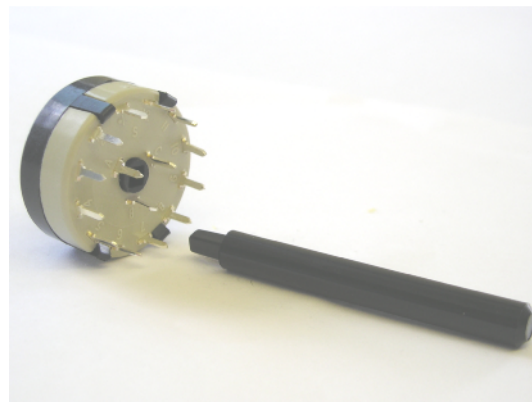


CK REAR DRIVE ROTARY

GENERAL ELECTRICAL & MECHANICAL SPECIFICATION

Switch Rating:	150mA @ 250V ac/dc
Life:	>10,000 Cycles
Operating Temperature:	-30°C to +85 °C
Proof Voltage:	1,500Vac (Initial)
Insulation Resistance:	>999 MΩ at 500Vdc (Initial)
Contact Resistance:	<20 mΩ (initial)
Operating Torque (nominal)	Standard 8.6 ± 1 cNm Light Action 3.5 ± 0.5 cNm
End Stop Torque (nominal):	0.80 Nm
Moulding Material:	Polyamide 6.6 G.F.
Contact/Terminal Material:	Brass CZ108 Ag Plated
Switch Rating:	5A Non-switching

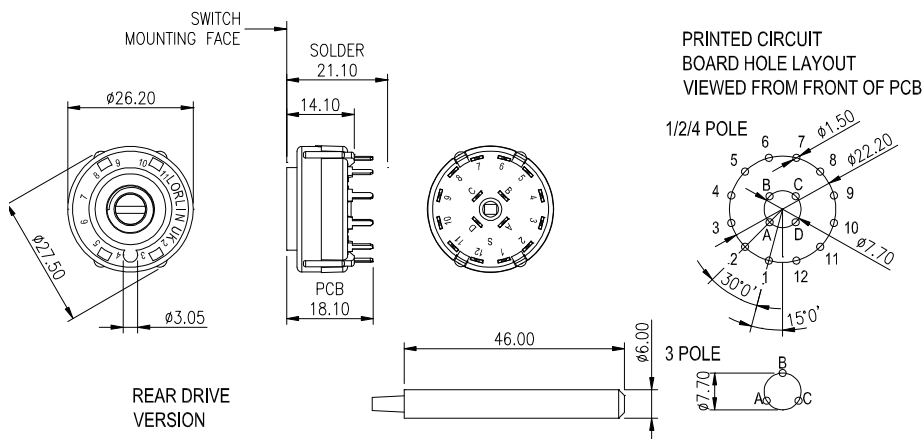
RoHS COMPLIANT



GENERAL FEATURES & OPTIONS

- Made in UK
- Cost effective single wafer switch
- Moulded 27.5mm diameter
- Standard 30° indexing
- Solder or Printed Circuit Board Terminals
- Up to 4 poles per switch
- Maximum 12 positions
- Shorting (make before break 30° indexing only) or non shorting (break before make) contacts.
- Special options: 60° or 90° indexing, continuous rotation,
- Optional reinforcement ring.
- Fixed stop, UL-V0 rated material, gold flashed or gold plated contacts, and spindles with special flats, slots or knurls.
- Rear Drive versions available

CK REAR DRIVE ROTARY SWITCH DETAIL



PART NUMBER	PLATING FINISH	CONFIGURATION	SHAFT LENGTH	SHORTING	NON-SHORTING	PCB/SOLDER TERMINALS
CK3609	GOLD FLASH	1 POLE 12 WAY	46.0	-	NON-SHORTING	PCB
CK3610	GOLD FLASH	2 POLE 6 WAY	46.0	-	NON-SHORTING	PCB
CK3611	GOLD FLASH	3 POLE 4 WAY	46.0	-	NON-SHORTING	PCB
CK3612	GOLD FLASH	4 POLE 3 WAY	46.0	-	NON-SHORTING	PCB

30° INDEXING

IMPORTANT WAFERS FLATS & SLOTS VIEWED FROM THE FRONT OF SWITCH IN EXTREME ANTICLOCKWISE POSITION (POSITION 1)

