

Extendable Module Box

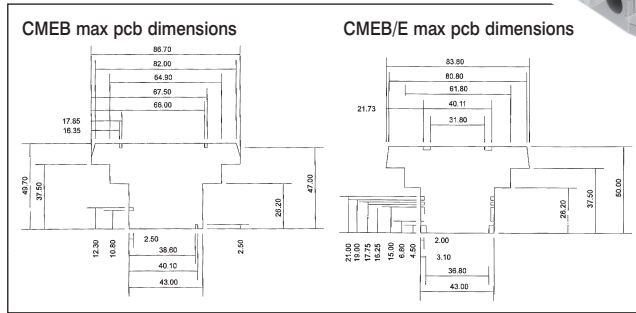
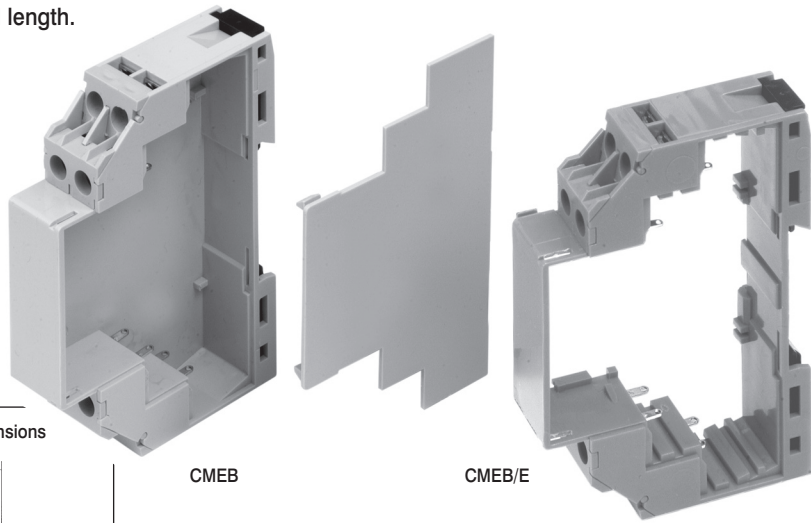
A 17.5mm width module box, extendable to required length.

The main box has a detachable end plate and the extension box is sideless.

Each module, as standard, has 8 screw terminals which are removeable as required.

Features

- 17.5mm multiples
- Top hat 35mm din rail or surface mounting
- Flame retardent UL 94V0 material
- Max 2 x 2.5mm² solid or stranded
- Terminal protection to IP20



Type No.	Description
CMEB	17.5mm Module box
CMEB/E	Extension

PCB
TERMINAL
BLOCKS
INTER-
CONNECTION
FUSES &
FUSE-
HOLDERS
BATTERIES
LED'S
MINIATURE
SWITCHES
INTERFACE
MODULES &
SUPPORTS
ENCLOSURES
IC & PLCC
SOCKETS
RELAY
BASES
CONTROL
PRODUCTS