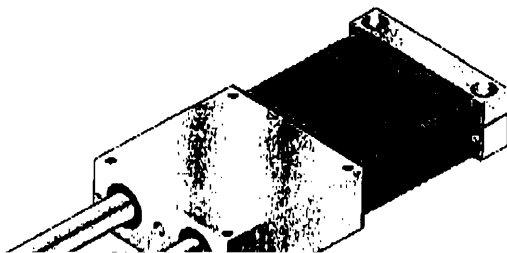


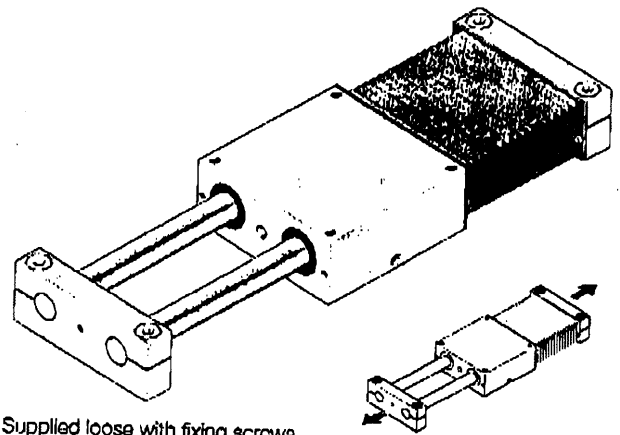
STAR Linear Motion Slides, Closed Type without Drive Unit

STAR Linear Motion Slides

- Carriage (aluminum alloy)
- Four STAR Super Linear Bushings;
size 8: STAR Standard Linear
Bushings
- Four seals
- Two end blocks (aluminum alloy)
- Two STAR Precision Steel Shafts,
tolerance class h6
- With air pressure relief hole for



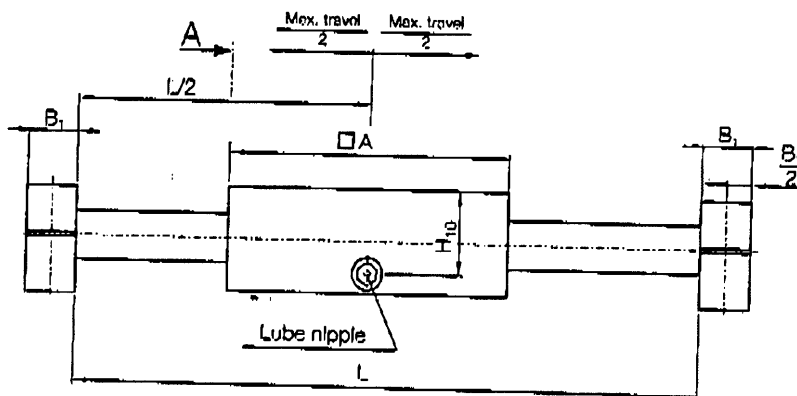
725 0976.
725 1051.



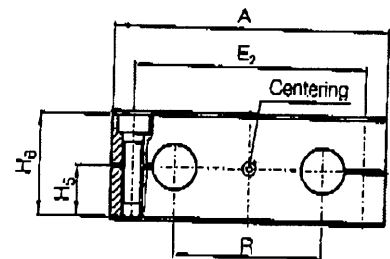
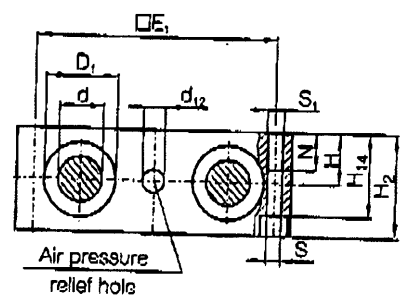
Supplied loose with fixing screws

End block B

For installations with fixed carriage and moving end blocks.



Elevation A



End block B		Lube nipple		for bellows installation		Air pressure relief hole		Length calculation		
E ₁	E ₂	S	S ₁	S ₂	N	H ₆	H ₆	DIN 3405	d ₁₂	
55	52	4.3	M 5	5.5	11	11	22	D 4	8	L = Travel _{max} x 1.4 + 99
73	70	5.3	M 6	6.6	13	15	30	AM 6	10	L = Travel _{max} x 1.33 + 122
88	82	5.3	M 6	9.0	13	17	34	AM 6	12	L = Travel _{max} x 1.33 + 137
115	108	6.6	M 8	11.0	18	22	44	AM 8	14	L = Travel _{max} x 1.30 + 168
140	132	8.4	M 10	13.0	22	27	54	AM 8 x 1	16	L = Travel _{max} x 1.24 + 199
158	150	10.5	M 12	13.0	26	31	62	AM 8 x 1	20	L = Travel _{max} x 1.20 + 218
202	190	13.5	M 16	17.0	34	39	78	AM 8 x 1	22	L = Travel _{max} x 1.17 + 273
250	240	13.5	M 16	17.0	34	47	94	AM 8 x 1	25	L = Travel _{max} x 1.14 + 323