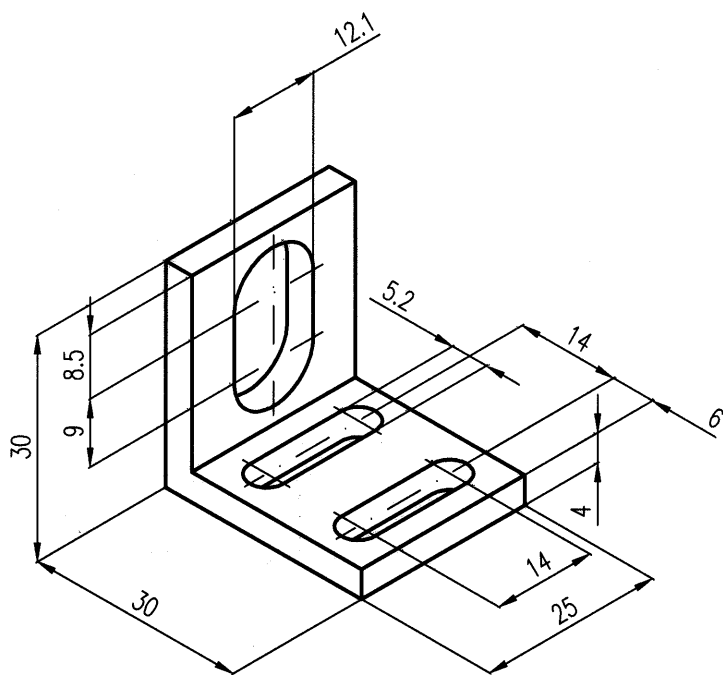


Mounting Bracket

25 x 30 x 30

BES 12-HW-1

BAM00C0



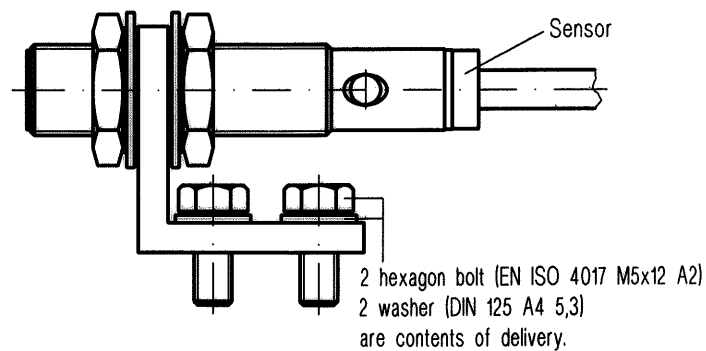
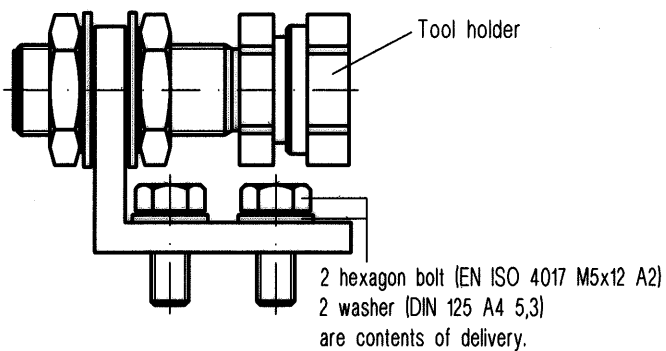
Use

The mounting bracket is used for securing "Prox-Mount" tubes, e.g. BES 8.0-KH-2...
The mounting bracket is used for securing sensors M12x1.

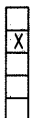
Data

Material Aluminium

Installation Example



Definitions see general catalog



HOLCZM 06.04.2009 Modifications reserved Mod.-No. 05.109919

Balluff GmbH, P.O. Box 1160, 73761 Neuhausen, Germany
Phone: +49 7158 1730, Fax: +49 7158 5010