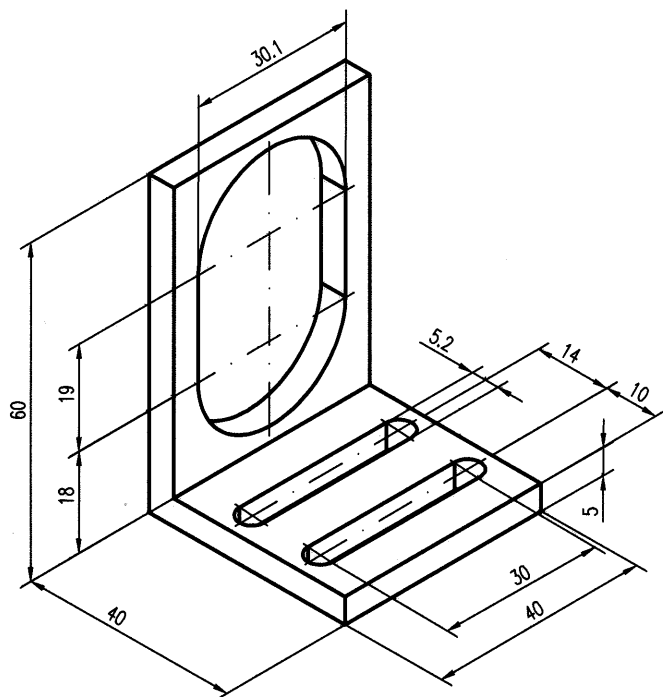


**Mounting Bracket**

40 x 60 x 40

**BES 30-HW-1**

**BAM00HH**



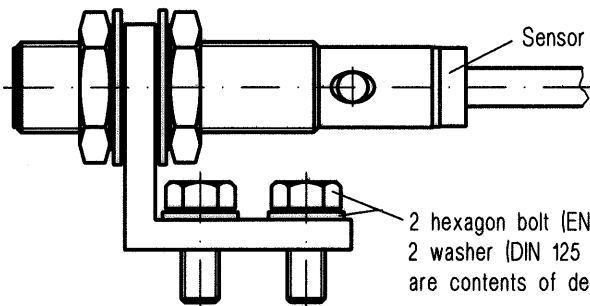
**Use**

The mounting bracket is used for securing sensors M30x1.

**Data**

Material Aluminium

**Installation Example**



2 hexagon bolt (EN ISO 4017 M5x12 A2)  
2 washer (DIN 125 A4 5,3)  
are contents of delivery.

Definitions see general catalog



HOLCZM 07.04.2009 Modifications reserved Mod.-No. 02.109919

Balluff GmbH, P.O. Box 1160, 73761 Neuhausen, Germany  
Phone: +49 7158 1730, Fax: +49 7158 5010