



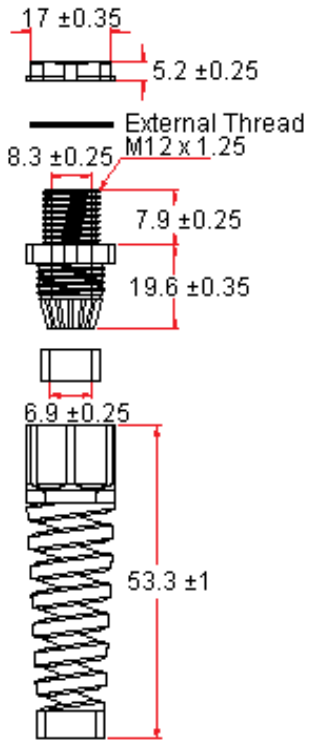
PART NO.

AG Series - EG Series

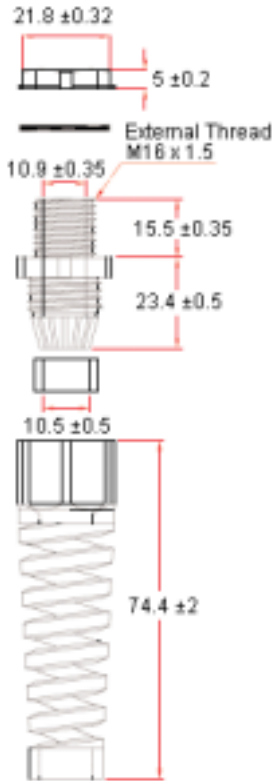
REVISIONS

ECN #	REV	DESCRIPTION	DRAWN	DATE	CHECKD	DATE	APPRVD	DATE
-	A	RELEASED	Sreejesh	17/11/09	Jagan	17/11/09	Farnell	01/12/09

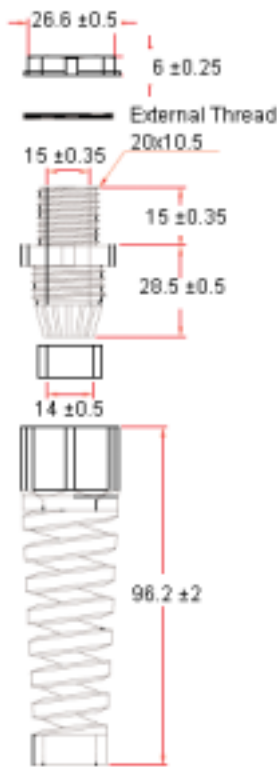
AG12SR



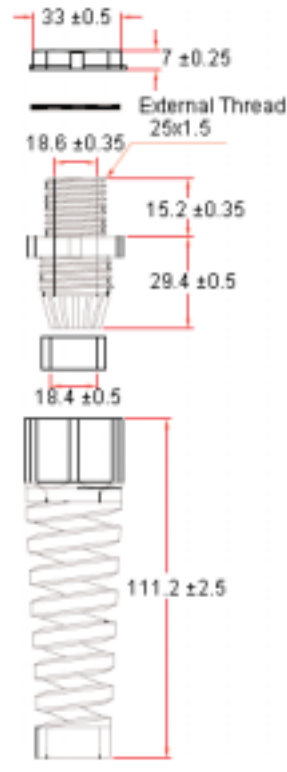
AG16SR



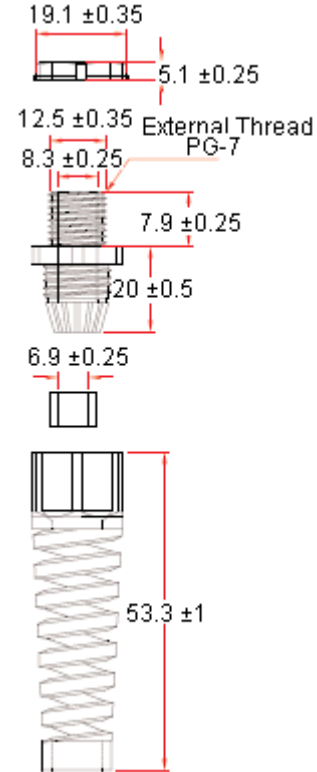
AG20SR



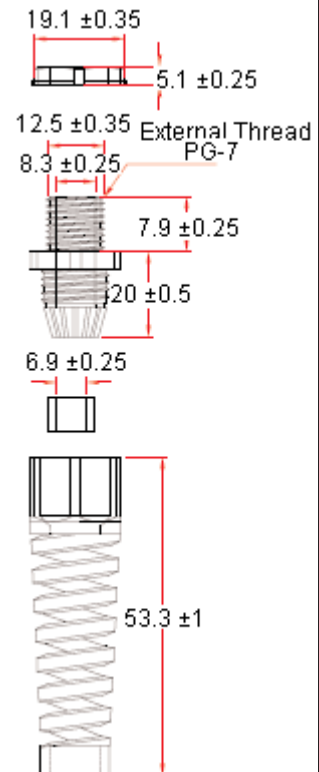
AG-25SR



EG7SR



EG9SR



This data sheet and its contents (the "Information") belong to the Premier Farnell Group (the "Group") or are licensed to it. No licence is granted for the use of it other than for information purposes in connection with the products to which it relates. No licence of any intellectual property rights is granted. The Information is subject to change without notice and replaces all data sheets previously supplied. The Information supplied is believed to be accurate but the Group assumes no responsibility for its accuracy or completeness, any error in or omission from it or for any use made of it. Users of this data sheet should check for themselves the Information and the suitability of the products for their purpose and not make any assumptions based on information included or omitted. Liability for loss or damage resulting from any reliance on the Information or use of it (including liability resulting from negligence or where the Group was aware of the possibility of such loss or damage arising) is excluded. This will not operate to limit or restrict the Group's liability for death or personal injury resulting from its negligence. SPC PRO POWER is the registered trademark of the Group. © Premier Farnell plc 2009.

TOLERANCES:
UNLESS OTHERWISE SPECIFIED, DIMENSIONS ARE FOR REFERENCE PURPOSES ONLY.

DRAWN BY:	DATE:
Veena	17/11/09
CHECKED BY:	DATE:
Jagan	17/11/09
APPROVED BY:	DATE:
Farnell	01/12/09

DRAWING TITLE:			
Nylon Cable Gland (With Strain Relief)			
SIZE	DWG NO.	ELECTRONIC FILE	REV
A	P10002412	AG-12SR_DWG	A
SCALE: NTS		U.O.M.: mm	SHEET: 1 OF 3



PART NO.

AG Series - EG Series

REVISIONS

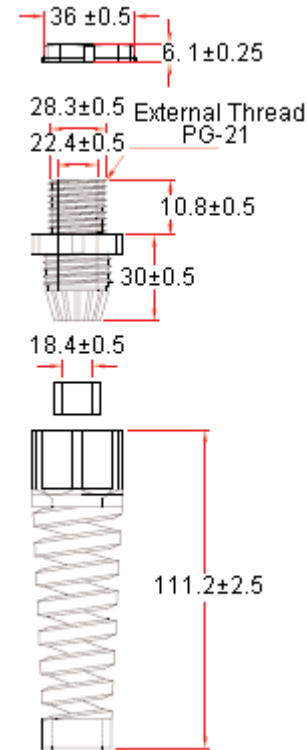
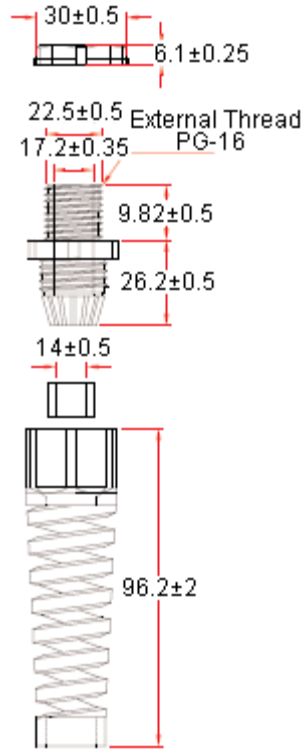
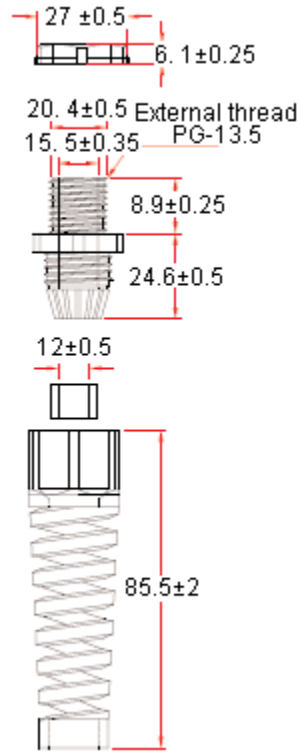
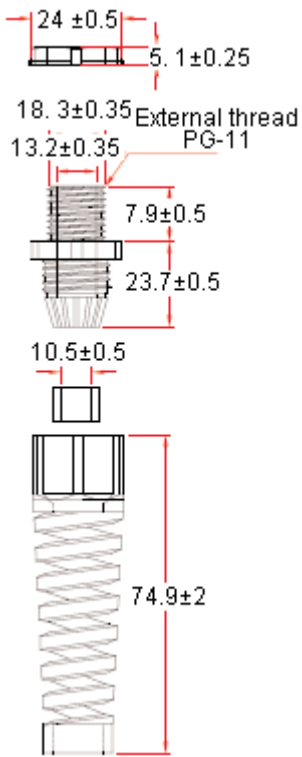
ECN #	REV	DESCRIPTION	DRAWN	DATE	CHECKD	DATE	APPRVD	DATE
-	A	RELEASED	Sreejesh	17/11/09	Jagan	17/11/09	Farnell	01/12/09

EG11SR

EG13.5SR

EG16SR

EG21SR



This data sheet and its contents (the "Information") belong to the Premier Farnell Group (the "Group") or are licensed to it. No licence is granted for the use of it other than for information purposes in connection with the products to which it relates. No licence of any intellectual property rights is granted. The Information is subject to change without notice and replaces all data sheets previously supplied. The Information supplied is believed to be accurate but the Group assumes no responsibility for its accuracy or completeness, any error in or omission from it or for any use made of it. Users of this data sheet should check for themselves the Information and the suitability of the products for their purpose and not make any assumptions based on information included or omitted. Liability for loss or damage resulting from any reliance on the Information or use of it (including liability resulting from negligence or where the Group was aware of the possibility of such loss or damage arising) is excluded. This will not operate to limit or restrict the Group's liability for death or personal injury resulting from its negligence. SPC PRO POWER is the registered trademark of the Group. © Premier Farnell plc 2009.

TOLERANCES:

UNLESS OTHERWISE SPECIFIED, DIMENSIONS ARE FOR REFERENCE PURPOSES ONLY.

DRAWN BY:	DATE:
Sreejesh	17/11/09
CHECKED BY:	DATE:
Jagan	17/11/09
APPROVED BY:	DATE:
Farnell	01/12/09

DRAWING TITLE:

Nylon Cable Gland (With Strain Relief)

SIZE	DWG NO.	ELECTRONIC FILE	REV
A	P10002412	AG-12SR_DWG	A
SCALE: NTS	U.O.M.: mm	SHEET: 2 OF 3	



PART NO.

AG Series - EG Series

REVISIONS

ECN #	REV	DESCRIPTION	DRAWN	DATE	CHECKD	DATE	APPRVD	DATE
-	A	RELEASED	Sreejesh	17/11/09	Jagan	17/11/09	Farnell	01/12/09

Part Number Table

Description	Part Number
Cable Gland, Spiral, M12x1.25, PK50	AG12SR
Cable Gland, Spiral, M16x1.5, PK50	AG16SR
Cable Gland, Spiral, M20x1.5, PK50	AG20SR
Cable Gland, Spiral, M25x1.5, PK25	AG-25SR
Cable Gland, Spiral, PG7, PJ50	EG7SR
Cable Gland, Spiral, PG9, PK50	EG9SR
Cable Gland, Spiral, PG11, PK50	EG11SR
Cable Gland, Spiral, PG13.5, PK50	EG13.5SR
Cable Gland, Spiral, PG16, PK50	EG16SR
Cable Gland, Spiral, PG21, PK25	EG21SR

<http://www.farnell.com>

<http://www.newark.com>

<http://www.cpc.co.uk>

This data sheet and its contents (the "Information") belong to the Premier Farnell Group (the "Group") or are licensed to it. No licence is granted for the use of it other than for information purposes in connection with the products to which it relates. No licence of any intellectual property rights is granted. The Information is subject to change without notice and replaces all data sheets previously supplied. The Information supplied is believed to be accurate but the Group assumes no responsibility for its accuracy or completeness, any error in or omission from it or for any use made of it. Users of this data sheet should check for themselves the Information and the suitability of the products for their purpose and not make any assumptions based on information included or omitted. Liability for loss or damage resulting from any reliance on the Information or use of it (including liability resulting from negligence or where the Group was aware of the possibility of such loss or damage arising) is excluded. This will not operate to limit or restrict the Group's liability for death or personal injury resulting from its negligence. SPC PRO POWER is the registered trademark of the Group. © Premier Farnell plc 2009.

TOLERANCES:

UNLESS OTHERWISE SPECIFIED, DIMENSIONS ARE FOR REFERENCE PURPOSES ONLY.

DRAWN BY:	DATE:
Sreejesh	17/11/09
CHECKED BY:	DATE:
Jagan	17/11/09
APPROVED BY:	DATE:
Farnell	01/12/09

DRAWING TITLE:

Nylon Cable Gland (With Strain Relief)

SIZE A	DWG NO. P10002412	ELECTRONIC FILE AG-12SR_DWG	REV A
SCALE: NTS		U.O.M.: mm	SHEET: 3 OF 3