

Dialight

609 Series

LED Panel Mount Indicators for 9mm Mounting Hole



FEATURES / BENEFITS

- ▲ Long Life - typically 100K hours
- ▲ Low power consumption - uses up to 90% less energy than an incandescent indicator
- ▲ No heat generated
- ▲ Colors include red, green, and yellow
- ▲ Front panel mounting
- ▲ LED can be recessed or protrude from housing

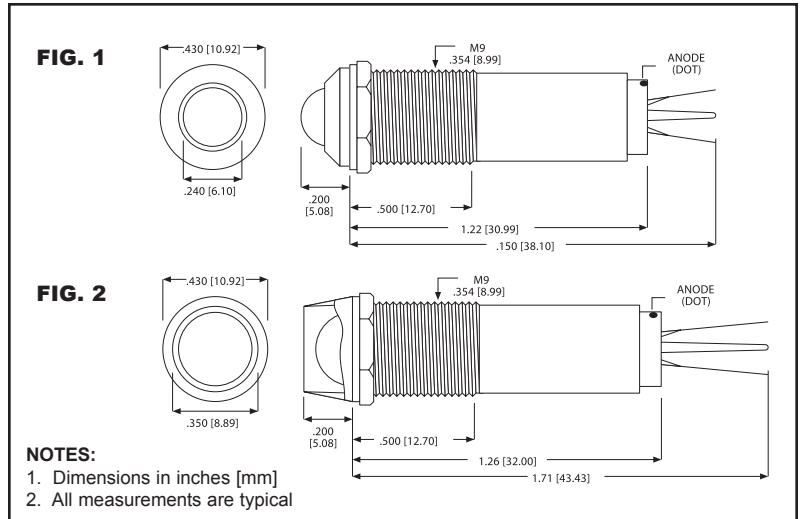
APPLICATIONS

Dialight's 600 series of metric indicators are designed for a variety of applications such as:

- Main and remote power indication
- Status Indication
- Maintenance and warning indication
- Instrumentation

SPECIFICATIONS

- ▲ Voltage requirements: 6, 12 and 24 VDC (no resistor required)
- ▲ Mounting hole size: 9.3 mm
- ▲ Maximum panel thickness: 7.5 mm
- ▲ Mounts with lock washer and nut (5 Kg/cm or 0.362 lbs/ft torque recommended)
- ▲ Operating Temperature : -25°C to +85°C
- ▲ Storage Temperature: -25°C to +100°C
- ▲ Housing Material: Chrome plated brass or Black plated brass



PRELIMINARY

New for 2004

Dialight reserves the right to make changes at any time in order to supply the best product possible.



Dialight Corporation

1501 Route 34 South • Farmingdale, NJ 07727 USA

Tel: (1) 732-919-3119 • Fax: (1) 732-751-5778 • www.dialight.com

•••••
a Roxboro Group Company

MDEL609X001_01



609 Series LED Panel Mount Indicators for 9mm Mounting Hole

Part Number	Color	Voltage	Current (mA)	Typical Intensity (mcd)	LED Positions	Finish	Figure
609-1112-120	Red	6 VDC	15	60	Protruding	Chrome	1
609-1122-120	Red	6 VDC	15	60	Protruding	Black	1
609-1212-120	Green	6 VDC	15	110	Protruding	Chrome	1
609-1222-120	Green	6 VDC	15	110	Protruding	Black	1
609-1312-120	Yellow	6 VDC	15	90	Protruding	Chrome	1
609-1322-120	Yellow	6 VDC	15	90	Protruding	Black	1
609-1112-130	Red	12 VDC	15	60	Protruding	Chrome	1
609-1122-130	Red	12 VDC	15	60	Protruding	Black	1
609-1212-130	Green	12 VDC	15	110	Protruding	Chrome	1
609-1222-130	Green	12 VDC	15	110	Protruding	Black	1
609-1312-130	Yellow	12 VDC	15	90	Protruding	Chrome	1
609-1322-130	Yellow	12 VDC	15	90	Protruding	Black	1
609-1112-140	Red	24 VDC	15	60	Protruding	Chrome	1
609-1122-140	Red	24 VDC	15	60	Protruding	Black	1
609-1212-140	Green	24 VDC	15	110	Protruding	Chrome	1
609-1222-140	Green	24 VDC	15	110	Protruding	Black	1
609-1312-140	Yellow	24 VDC	15	90	Protruding	Chrome	1
609-1322-140	Yellow	24 VDC	15	90	Protruding	Black	1
609-2112-120	Red	6 VDC	15	60	Recess	Chrome	2
609-2122-120	Red	6 VDC	15	60	Recess	Black	2
609-2212-120	Green	6 VDC	15	110	Recess	Chrome	2
609-2222-120	Green	6 VDC	15	110	Recess	Black	2
609-2312-120	Yellow	6 VDC	15	90	Recess	Chrome	2
609-2322-120	Yellow	6 VDC	15	90	Recess	Black	2
609-2112-130	Red	12 VDC	15	60	Recess	Chrome	2
609-2122-130	Red	12 VDC	15	60	Recess	Black	2
609-2212-130	Green	12 VDC	15	110	Recess	Chrome	2
609-2222-130	Green	12 VDC	15	110	Recess	Black	2
609-2312-130	Yellow	12 VDC	15	90	Recess	Chrome	2
609-2322-130	Yellow	12 VDC	15	90	Recess	Black	2
609-2112-140	Red	24 VDC	15	60	Recess	Chrome	2
609-2122-140	Red	24 VDC	15	60	Recess	Black	2
609-2212-140	Green	24 VDC	15	110	Recess	Chrome	2
609-2222-140	Green	24 VDC	15	110	Recess	Black	2
609-2312-140	Yellow	24 VDC	15	90	Recess	Chrome	2
609-2322-140	Yellow	24 VDC	15	90	Recess	Black	2

Dialight Corporation

1501 Route 34 South • Farmingdale, NJ 07727 USA

Tel: (1) 732-919-3119 • Fax: (1) 732-751-5778 • www.dialight.com



A4703



ISO 9001

Dialight Corporation



a Roxboro Group Company

MDEL609X001_01