

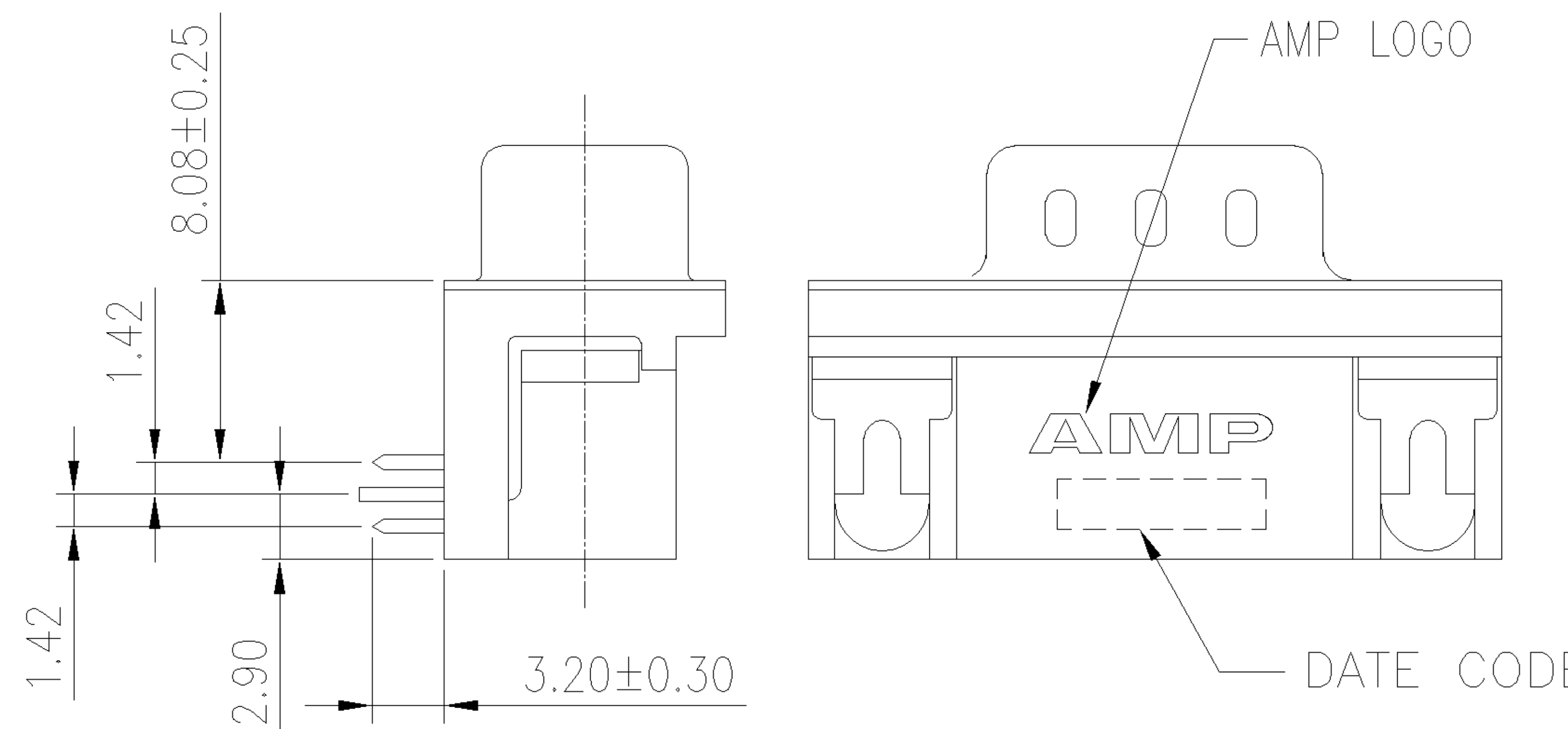
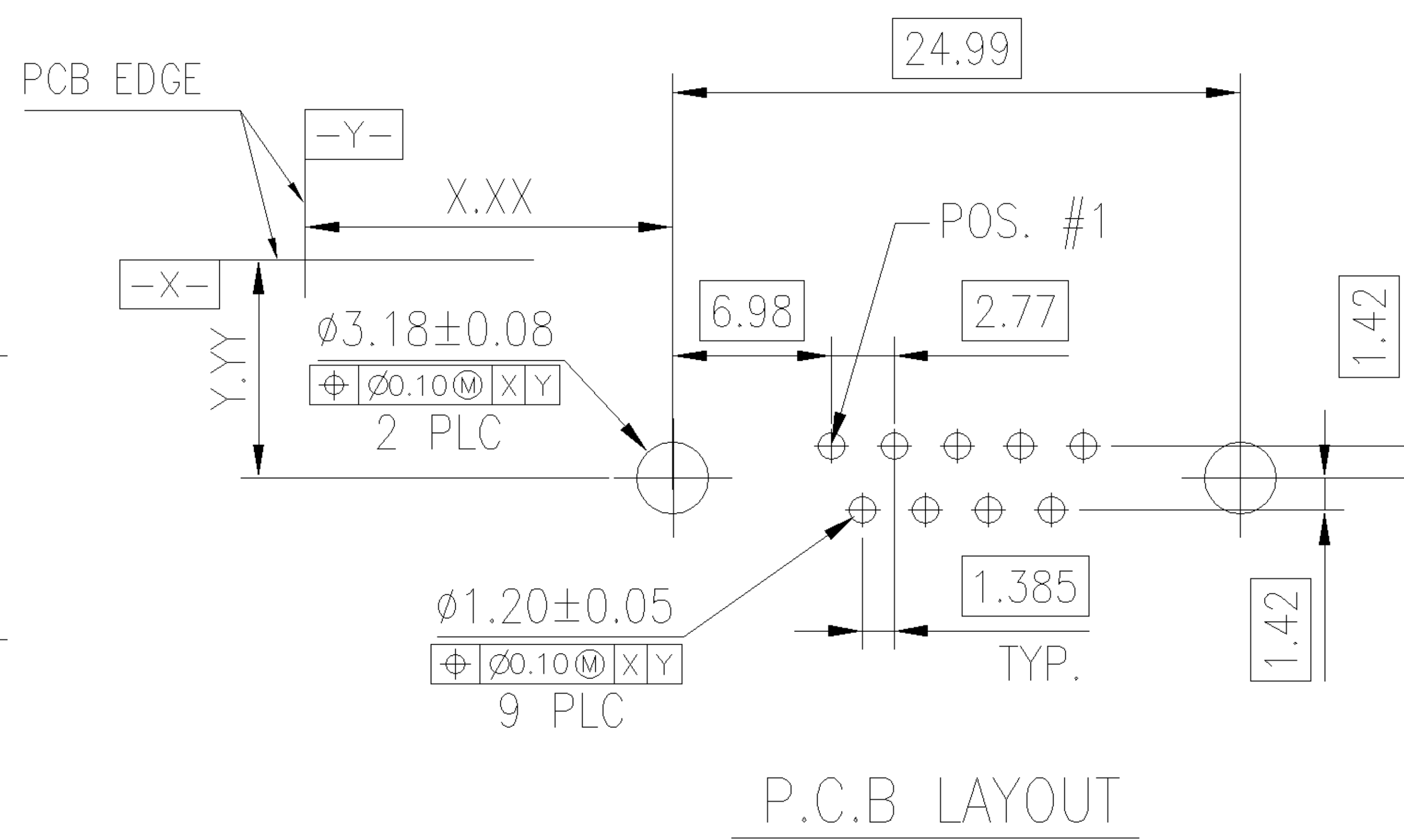
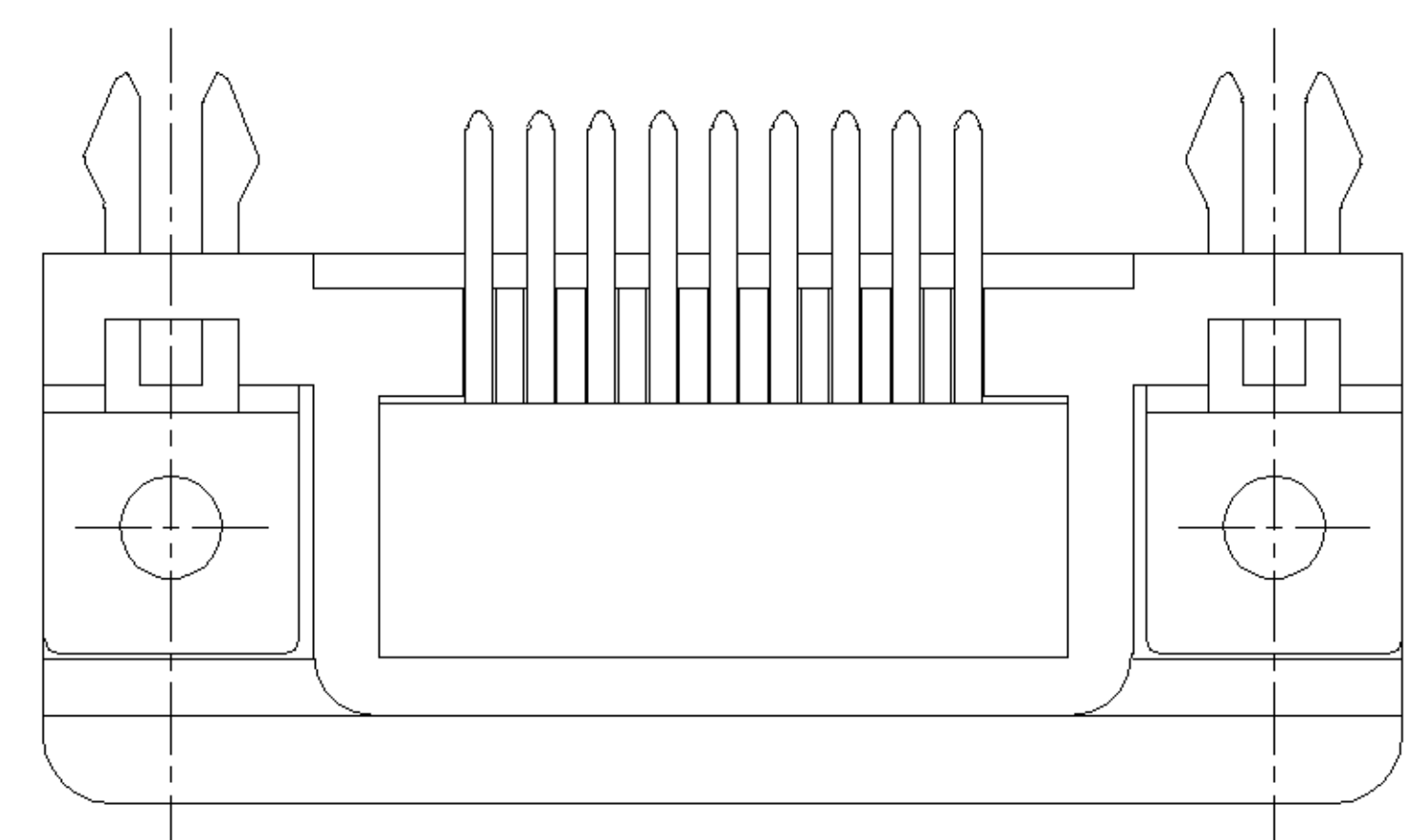
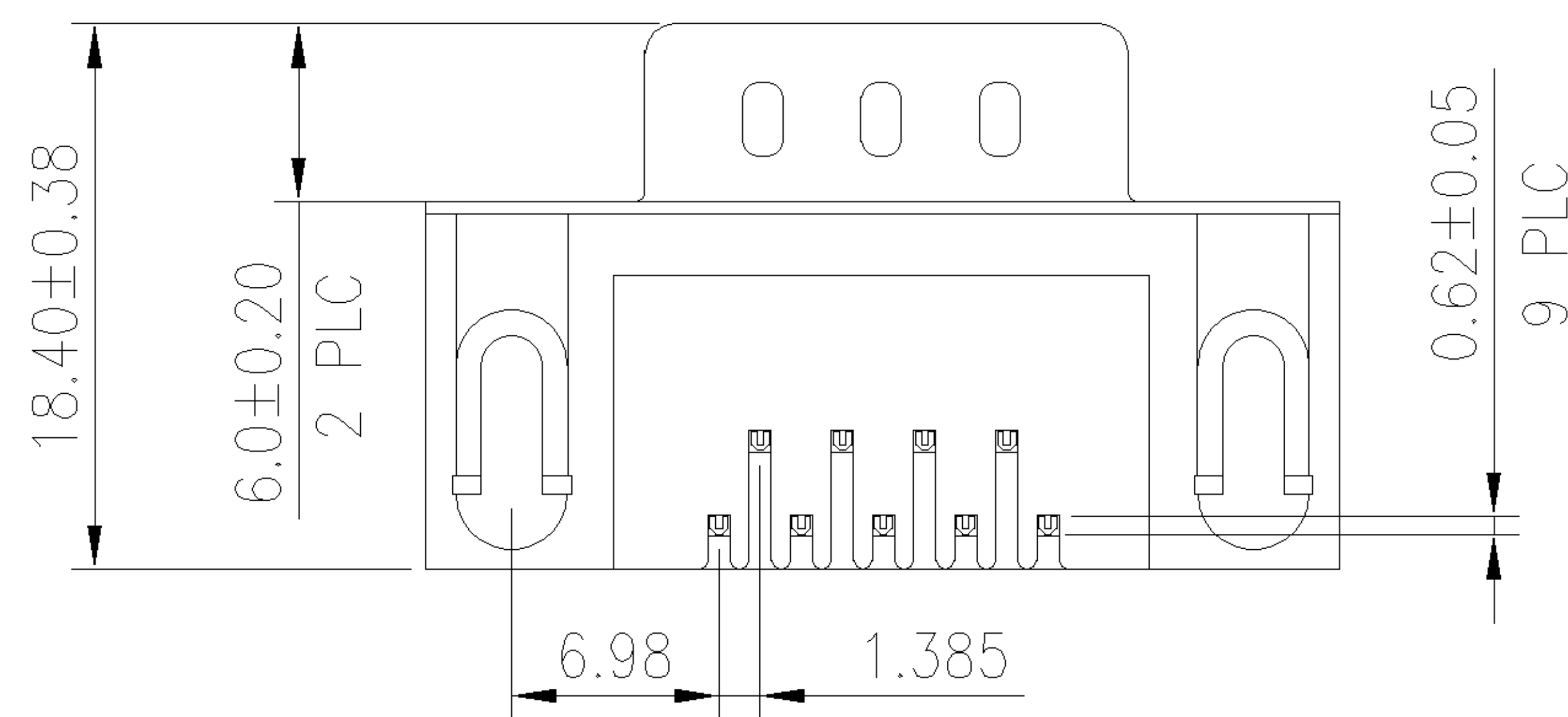
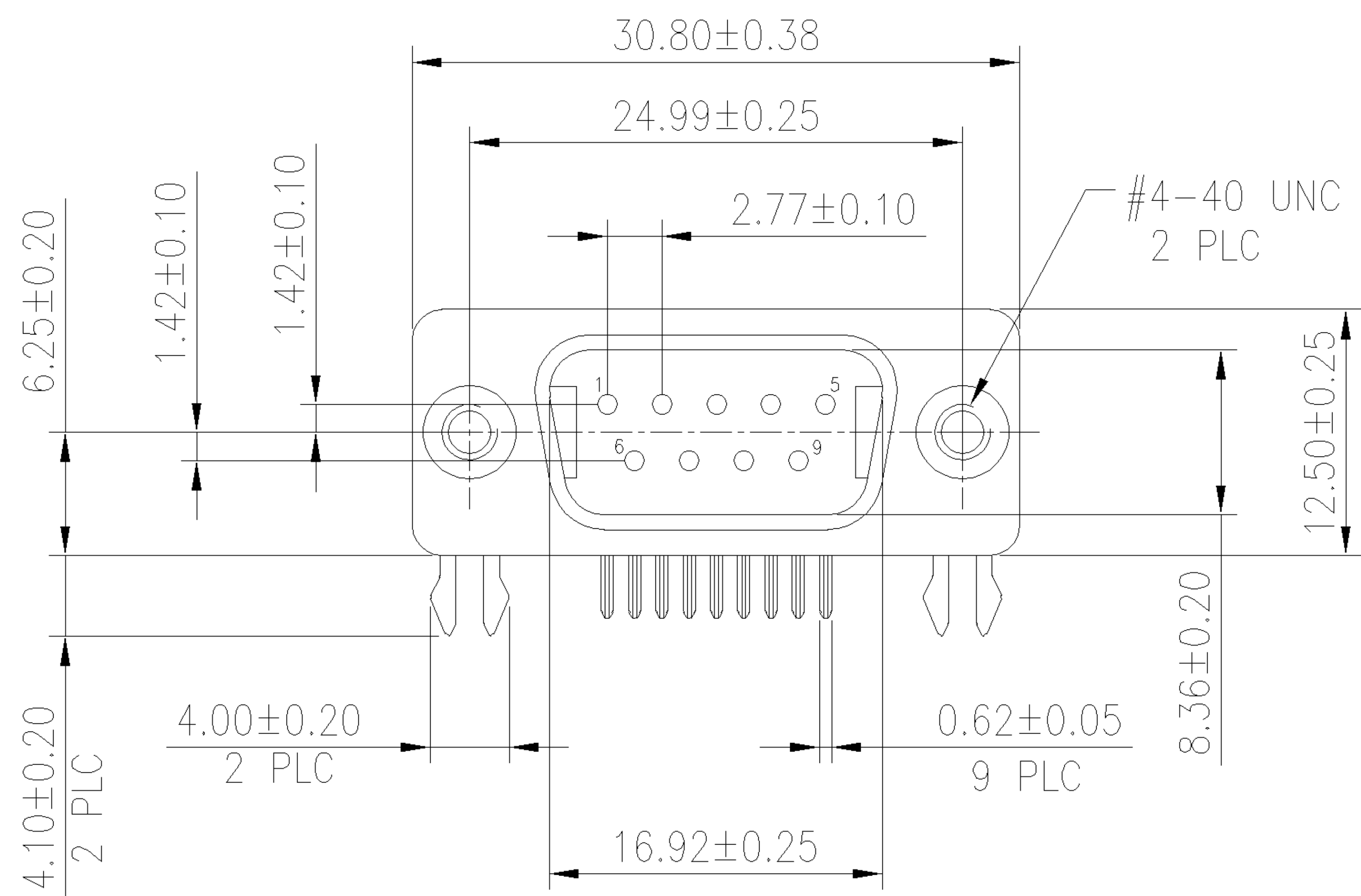
NUMBER C-1734352

3RD ANGLE PROJECTION

METRIC

THIS INFORMATION IS CONFIDENTIAL AND IS DISCLOSED TO YOU ON CONDITION THAT NO FURTHER DISCLOSURE IS MADE BY YOU TO OTHER THAN AMP PERSONNEL WITHOUT WRITTEN AUTHORIZATION FROM AMP (TAIWAN) LTD. DIMENSIONS IN MILLIMETERS. DO NOT SCALE PRINT.

PRINT DIST DW



NOTES:

- MATERIAL :
 - HOUSING: THERMOPLASTIC, UL 94V-0 RATED, BLACK
 - CONTACTS: BRASS
 - SHELL: SPCC
 - BOARDLOCKS: BRASS.
 - RIVET: COPPER ALLOY
- FINISH:
 - CONTACT: GOLD PLATING ON CONTACT AREA. (SEE TABLE) 100u" MIN. MATTE TIN PLATING ON SOLDER TAIL AREA, 50u" MIN. NICKEL UNDERPLATING OVERALL,
 - BOARDLOCK: 100u" MIN MATTE TIN PLATING 50u" MIN NICKEL UNDERPLATING OVERALL,
 - SHELL: NICKEL PLATED
 - RIVET: NICKEL PLATING OVERALL
- RECOMMENDED PCB THICKNESS: 1.6 MM
- WAVE SOLDER CAPABLE TO 265°C PER TYCO SPEC. 109-202, CONDITION B.
- NET WEIGHT: 7.03 gram/pc
- DATE CODE: YYWW
- THE SCREW TORQUE FORCE APPLIED: 7.0 kgf-cm MIN. (OR 6.0 lb-in MIN.)

TUBE	10u"	1734352-4
TRAY	10u"	1734352-3
TRAY	15u"	1734352-2
TRAY	GOLD FLASH	1734352-1
PACKAGING	CONTACT FINISH MIN.	PART NO.

TOLERANCES UNLESS OTHERWISE SPECIFIED: 0 PLC ±0.5 1 PLC ±0.3 2 PLC ±0.2 3 PLC ±0.15 ANGLES ±3'	DWN J. LEE 24-OCT-2005	TYCO HOLDINGS (BERMUDA) VII LTD. TAIWAN BRANCH
MATERIAL SEE NOTE	CHK S. HOU 24-OCT-2005	
FINISH SEE NOTE	APVD W.J. KE 24-OCT-2005	PLUG ASSEMBLY, 9 POSN, RIGHT ANGLE, 8.08mm[0.318in]
	PRODUCT SPEC 108-57541	
	APPLICATION SPEC 501-57623	LOC SIZE DW A ₃
	WEIGHT SEE NOTE	DRAWING NO C-1734352
		REV 0
		SCALE -- SHEET 1 OF 3

0	NEW RELEASED	--	JL	24-OCT-2005
LTR	REVISION RECORD	ECN	DWN	CHK

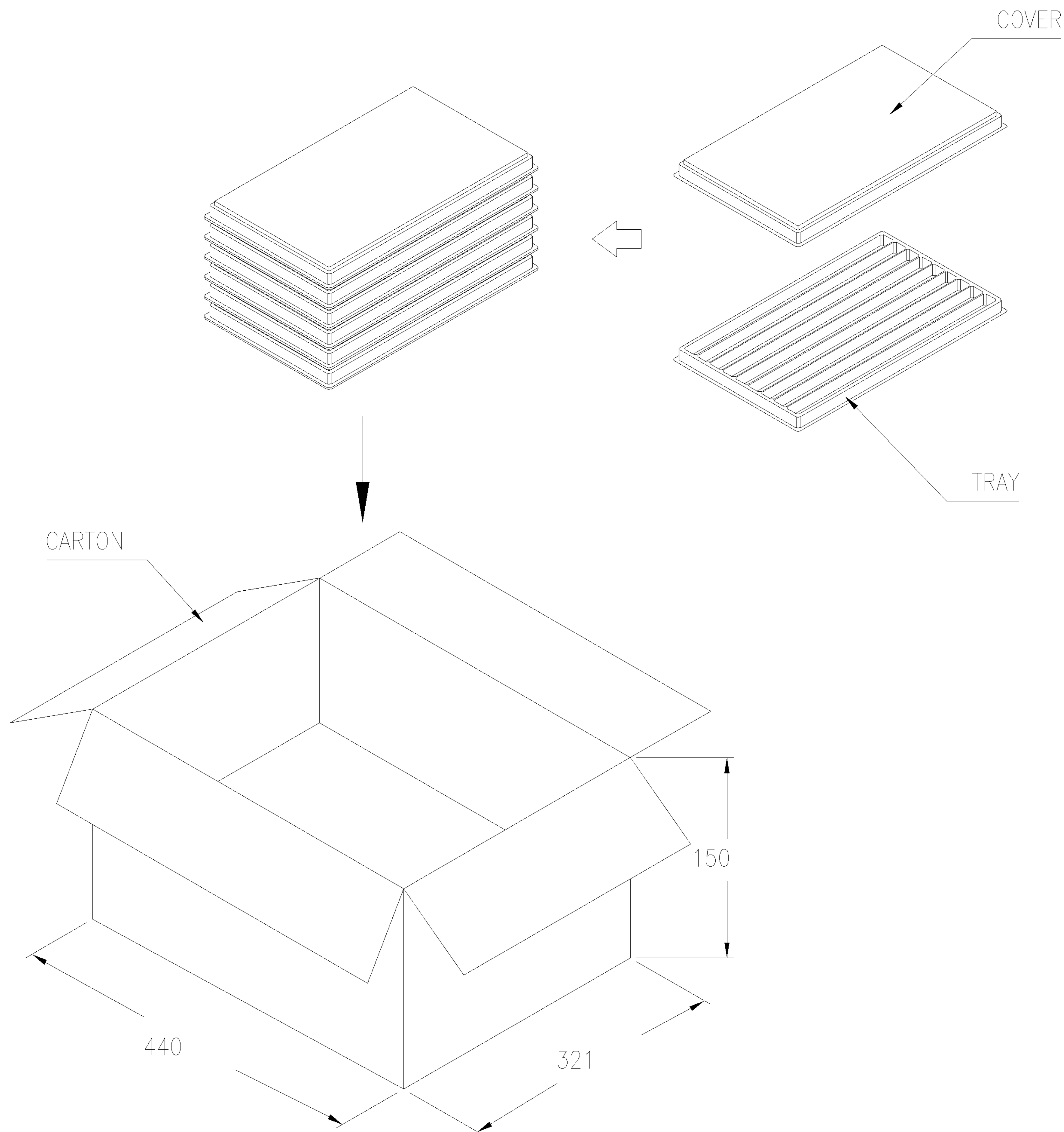
NUMBER C-1734352

3RD ANGLE PROJECTION

METRIC

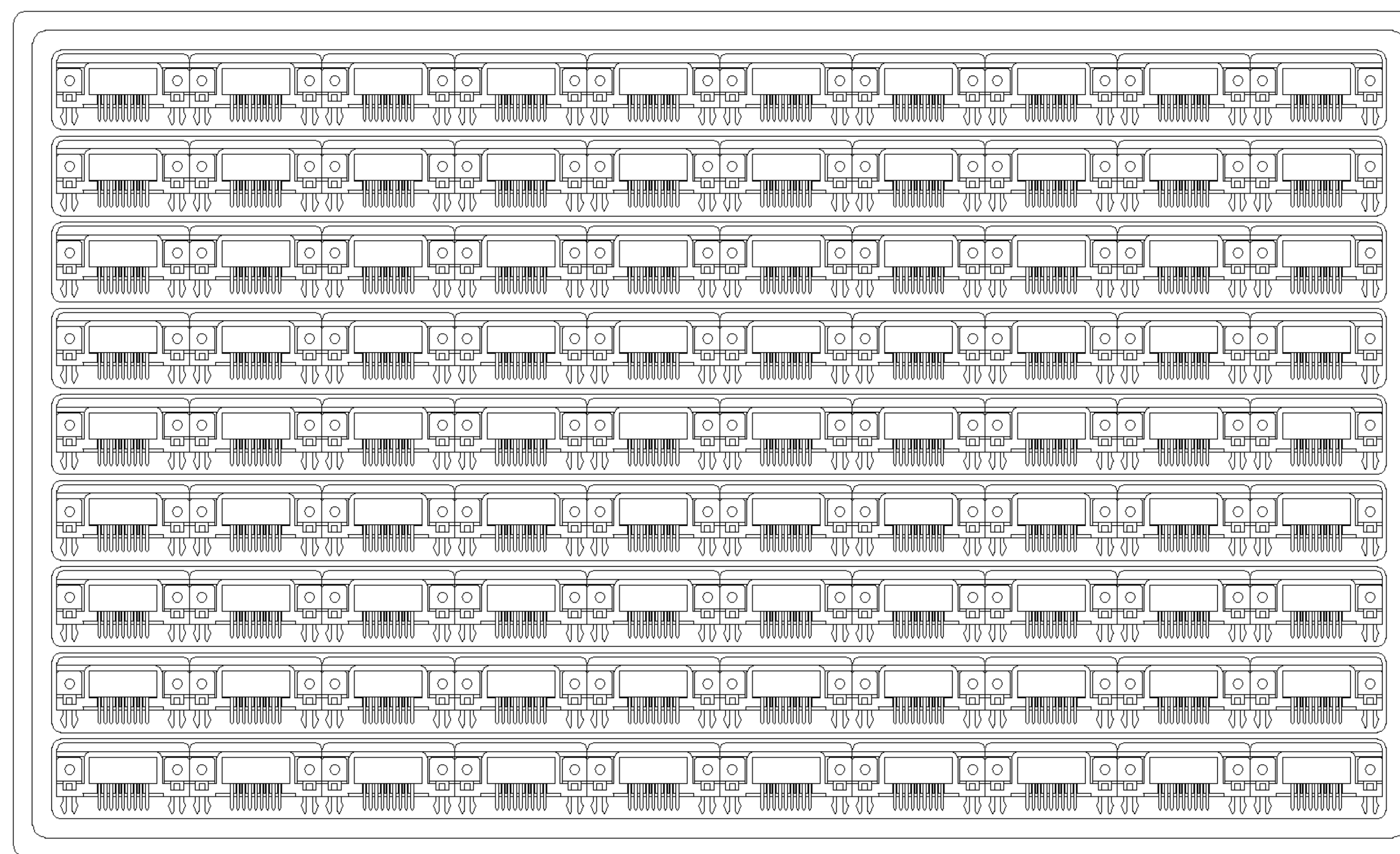
THIS INFORMATION IS CONFIDENTIAL AND IS DISCLOSED TO YOU ON CONDITION THAT NO FURTHER DISCLOSURE IS MADE BY YOU TO OTHER THAN AMP PERSONNEL WITHOUT WRITTEN AUTHORIZATION FROM AMP (TAIWAN) LTD. DO NOT SCALE PRINT.

PRINT DIST DW



NOTES:

1. MATERIAL:
 - 1.1 TRAY: PVC
 - 1.2 SHIPPING CARTON: CORRUGATED FIBERBOARD
2. DIMENSION:
 - 2.1 TRAY: L=340, W=228, H=17.4
 - 2.2 SHIPPING CARTON: L=440, W=321, H=150
3. QUANTITY:
 - 3.1 PRIMARY PACKING: 90 PCS/TRAY
 - 3.2 SECONDARY PACKING: 11 TRAY/CARTON (990PCS)
4. CARTON WEIGHT:
 - 4.1 NET WEIGHT: 6.96 KG
 - 4.2 GROSS WEIGHT: 7.96 KG



TOLERANCES UNLESS OTHERWISE SPECIFIED:		DWN	J. LEE	tyco Electronics	TYCO HOLDINGS (BERMUDA) VII LTD. TAIWAN BRANCH	
0 PLC ±	1 PLC ±	CHK	S. HOU		NAME	
2 PLC ±	3 PLC ±	24-OCT-2005		PLUG ASSEMBLY, 9 POSN, RIGHT ANGLE, 8.08mm[0.318in]		
ANGLES ±	MATERIAL		APVD	W.J. KE	REV	
SEE NOTE	SEE NOTE		24-OCT-2005		LOC	SIZE
FINISH	SEE NOTE		PRODUCT SPEC		DW	A ₃
SEE NOTE	FINISH		APPLICATION SPEC		SCALE	DRAWING NO
	WEIGHT		---		---	C-1734352
					SHEET	
					2 OF 3	

	SEE SHEET 1			
LTR	REVISION RECORD	ECN	DWN CHK	DATE

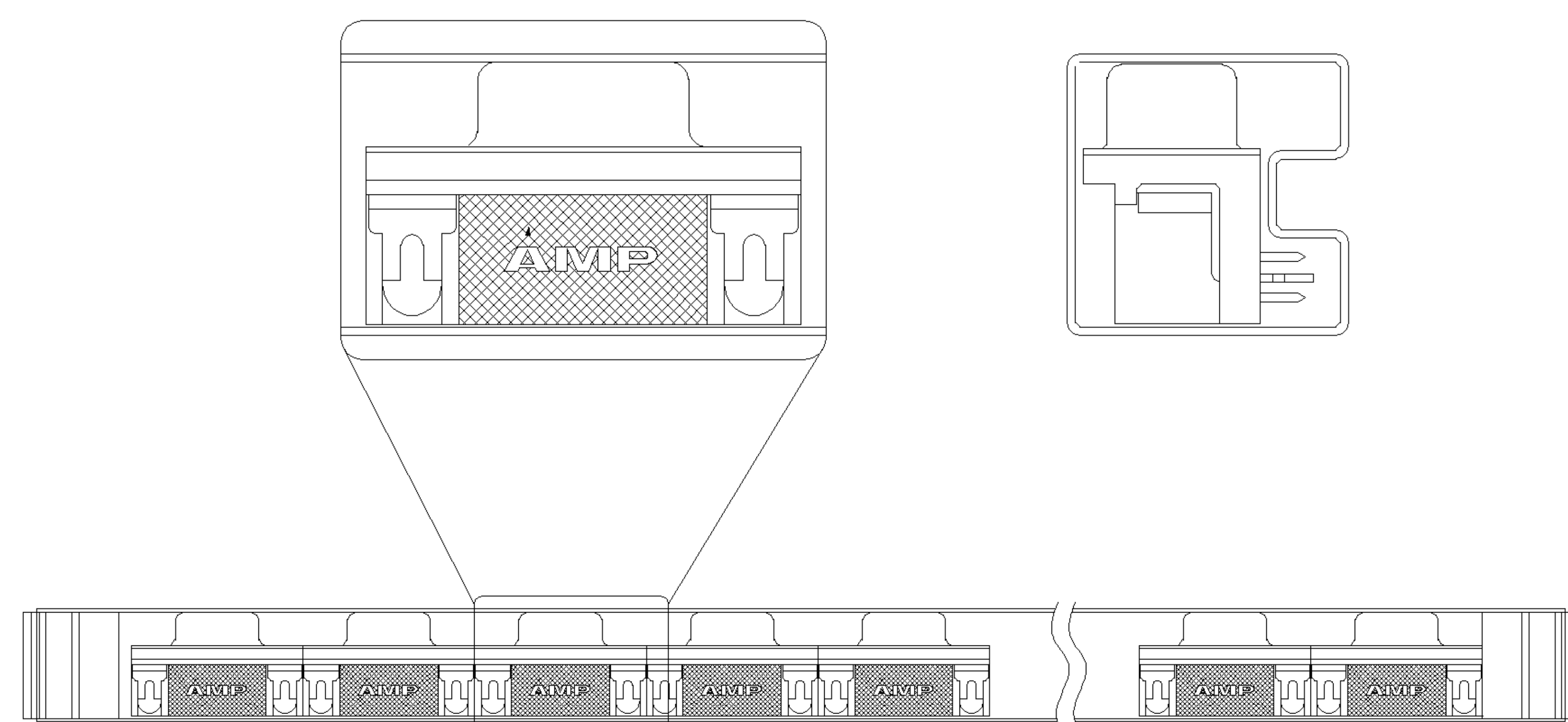
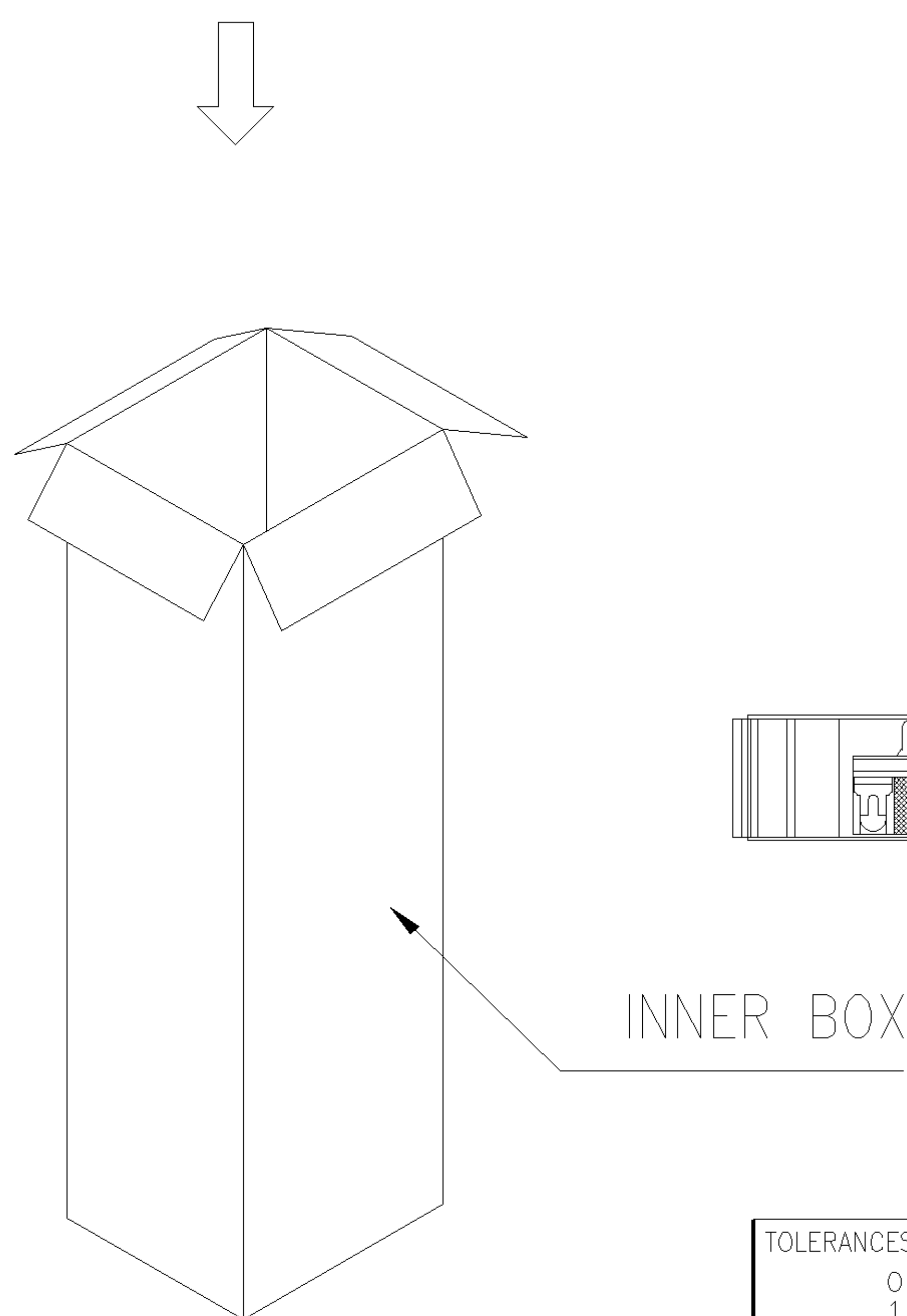
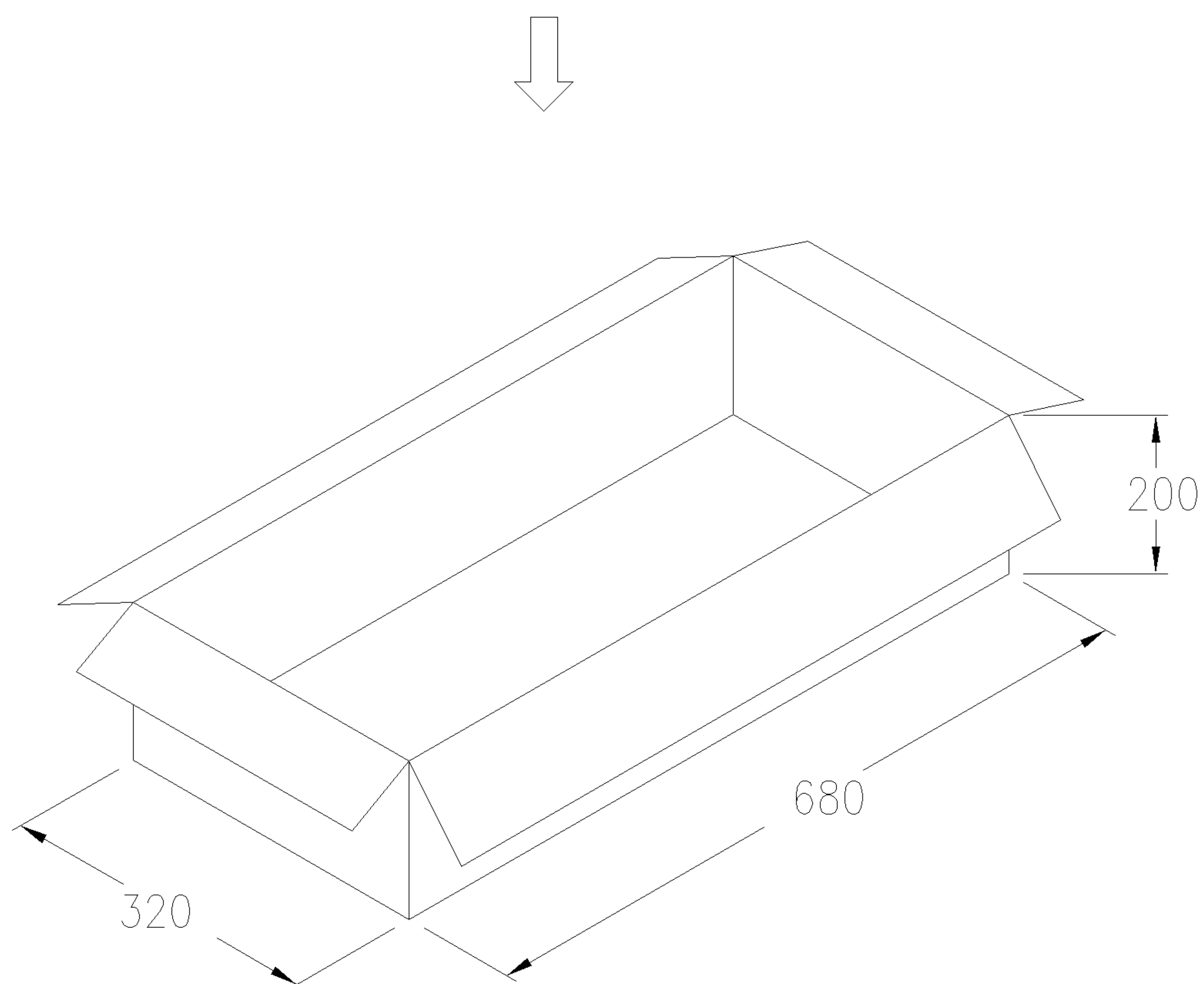
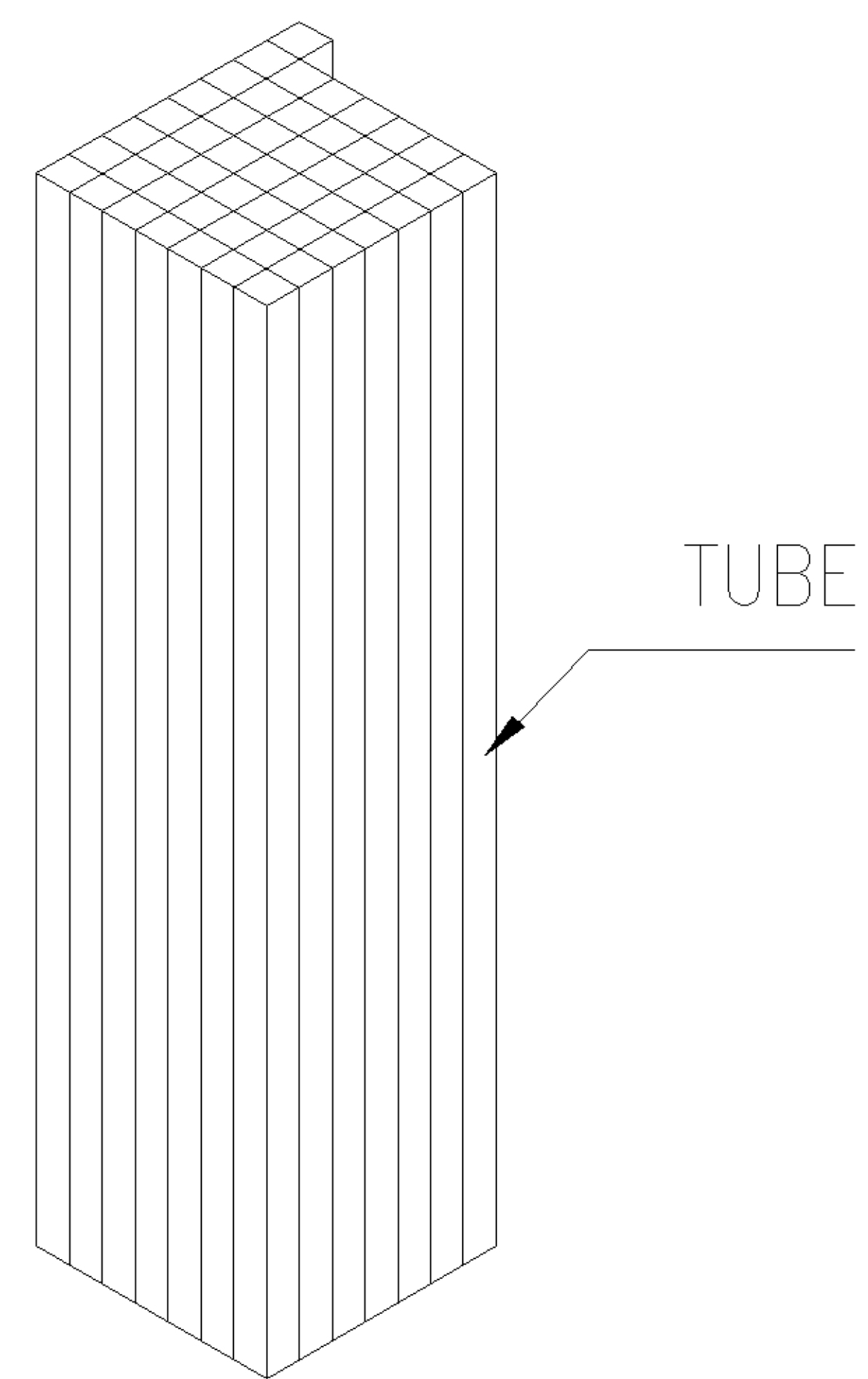
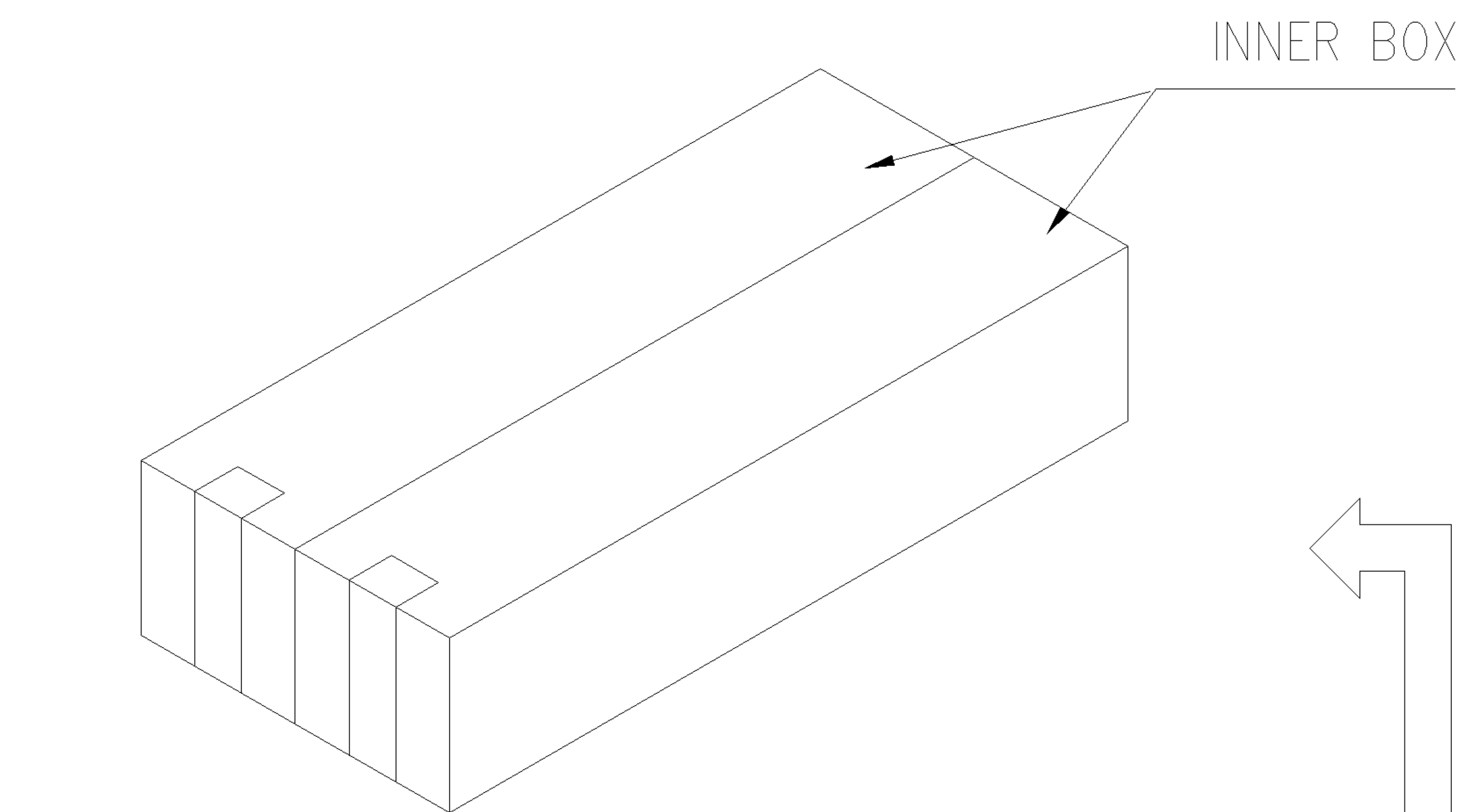
NUMBER
C-1734352

3RD ANGLE PROJECTION

METRIC

THIS INFORMATION IS CONFIDENTIAL AND IS DISCLOSED TO YOU ON CONDITION THAT NO FURTHER DISCLOSURE IS MADE BY YOU TO OTHER THAN AMP PERSONNEL WITHOUT WRITTEN AUTHORIZATION FROM AMP (TAIWAN) LTD. DIMENSIONS IN MILLIMETERS. DO NOT SCALE PRINT.

PRINT DIST
DW



NOTES:

1. MATERIAL:
 - 1.1 TUBE: PVC
 - 1.2 SHIPPING CARTON: CORRUGATED FIBERBOARD
2. DIMENSION:
 - 2.1 TUBE: L=650, W=18.8, H=18.6
 - 2.2 SHIPPING CARTON: L=680, W=320, H=200
3. QUANTITY:
 - 3.1 PRIMARY PACKING: 20 PCS/TUBE
 - 3.2 SECONDARY PACKING: 50 TUBE/BOX
 - 3.3 THIRD PACKING: 2 BOX/CARTON (2,000PCS)
4. CARTON WEIGHT:
 - 4.1 NET WEIGHT: 17.0 KG
 - 4.2 GROSS WEIGHT: 18.0 KG

SEE SHEET 1	ECN	DWN	CHK	DATE
LTR	REVISION RECORD			

TOLERANCES UNLESS OTHERWISE SPECIFIED:		DWN	J. LEE	tyco Electronics	TYCO HOLDINGS (BERMUDA) VII LTD. TAIWAN BRANCH
0 PLC ±			24-OCT-2005		
1 PLC ±		CHK	S. HOU	NAME	
2 PLC ±			24-OCT-2005	PLUG ASSEMBLY, 9 POSN, RIGHT ANGLE, 8.08mm[0.318in]	
3 PLC ±		APVD	W.J. KE	LOC	
ANGLES ±		PRODUCT SPEC	24-OCT-2005	SIZE	DRAWING NO
		FINISH		A ₃	C-1734352
		WEIGHT		SCALE	REV
				--	0
					SHEET
					3 OF 3

CUSTOMER DRAWING