

GP Batteries

PRODUCT SPECIFICATION

GP PowerBank
Model: GPPB11 (220mA)

Revision History

Revision	Date	Initiator	Reason for Change
00	13 Oct 06	Agnes Wong	New release

Prepared By	Approved By
Agnes Wong	Natalie Chow
Date: 13 Oct 06	Date: 13 Oct 06

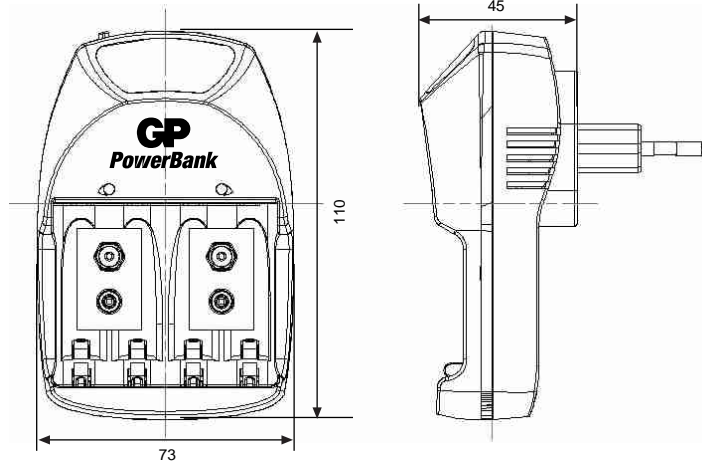
GPI International Limited

Gold Peak Building, 8/F, 30 Kwai Wing Road,
Kwai Chung, New Territories, Hong Kong.
Tel: (852) 2484 3333 Fax: (852) 24805912
Email: gpii@goldpeak.com
Website: <http://www.gpbatteries.com.hk>

GP Batteries

Product Specification

Model No.: GPPB11



Unit : mm

Product Name	:	GP PowerBank Nite-lite
Description	:	Continuous NiMH Battery Charger with Night Light Function (Plug-In Type)
Input Voltage	:	230V AC 50Hz (GS/BS); 120V AC 60Hz (UL)
Input Power	:	10W max.
Application	:	For charging 2 or 4 pcs NiMH AA and/or AAA batteries; and 1 or 2 pcs NiMH 9V batteries
Output Voltage	:	2.8V DC (AA/AAA); 9V DC (9V)
Charging Current	:	AA 220mA \pm 10% AAA 85mA \pm 10% 9V 24mA \pm 10%

Charging Time	:	Size	Battery	Charging Time (hrs)		Size	Battery	Charging Time (hrs)				
				2 or 4 pcs	1 or 2 pcs			2 or 4 pcs	1 or 2 pcs			
AA	:		2700 series	~14	-	AAA	1000 series	~13.5	-			
			2500 series	~13	-		950 series	~13	-			
			2300 series	~12	-		850 mAh	~12	-			
			2100 series	~11	-		800 mAh	~11	-			
			2000 series	~10.5	-		750 mAh	~ 10.5	-			
			1800 mAh	~9.5	-		700 mAh	~ 10	-			
			1600 mAh	~8.5	-		650 mAh	~ 9	-			
			1300 mAh	~7	-		600 mAh	~ 8.5	-			
									9V	200 mAh	-	~ 10
						170 mAh	-	~ 8.5				

MTBF	:	30000 hours (at ambient temperature 25°C)
Operating Temperature	:	0°C to 45°C
Storage Temperature	:	-25°C to 60°C
Charge Indicator	:	LED for each channel; two channels operate individually
Dimensions	:	110(L) X 73(W) X 45(T)mm
Approval	:	GS, CE, UL, SASO
Warranty Period	:	12 months from ex-factory date

