

DC axial fan

Series 400 J 40 x 40 x 25 mm



- **General description:** DC fan with electronically commutated external rotor motor. Commutation electronics completely integrated. Rigid compression curve at low noise.

- **Impeller material:** Fiberglass-reinforced PA plastic

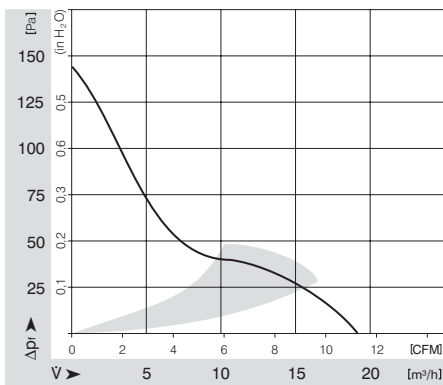
- **Housing material:** Fiberglass-reinforced PBT plastic

Nominal data

Type	Motor	Voltage VDC	Voltage range VDC	Air flow m ³ /h	Speed 1/min	Power consumption W	Sound level Bel	Sound pressure level dB(A)	Ambient temperature °C	L10 service life at max. temp. h	Weight kg
412 J	--	12	8 - 13.5	19	10300	2.4	5.5	39	-20 .. 70	30000	0.050

Subject to modification

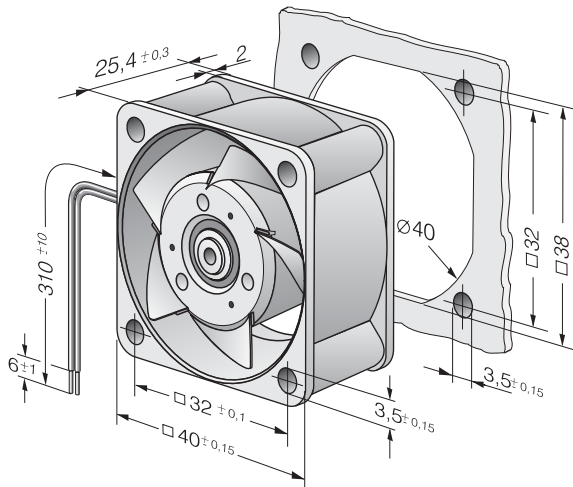
Characteristic: Pressure over air flow



DC axial fan

Series 400 J 40 x 40 x 25 mm

Specific drawing



Technical description

- **General description:** DC fan with electronically commutated external rotor motor. Commutation electronics completely integrated. Rigid compression curve at low noise.
- **Housing material:** Fiberglass-reinforced PBT plastic
- **Direction of rotation:** Left, looking at rotor
- **Electrical connection:** 2 single strands AWG 24, TR 64
- **Blocking protection:** With electronic blocking protection

- **Impeller material:** Fiberglass-reinforced PA plastic
- **Bearings:** Ball bearings
- **Direction of flow:** Air exhaust over bars
- **Motor protection:** With electronic reverse polarity protection. The fan runs only if the polarity is correct.
- **Approvals:** VDE, CSA, UL, CE

Contact

ebm-papst St. Georgen GmbH & Co. KG
Hermann-Papst-Straße 1
D-78112 St. Georgen
Phone +49 (0) 7724 / 81-0
Fax +49 (0) 7724 / 81-1309
info2@de.ebmpapst.com
www.ebmpapst.com