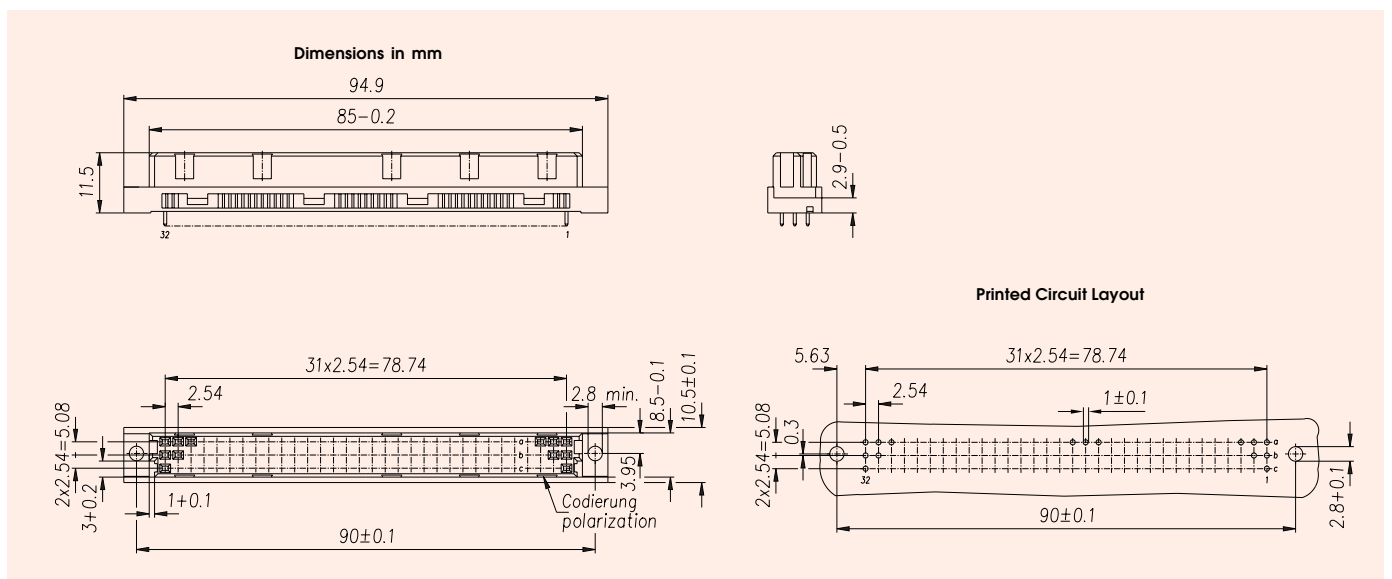


## Female Connectors Type C



No. of Positions		32	48	64	96
Position		Row a,c (2,4,6,...)	Row a,b,c (2,4,6,...)	Row a,c	Row a,b,c
Termination Methods	Quality Class	<b>Part Numbers</b>			
	II	104-40014	104-40044	104-40054	104-40064
	II	104-40015	104-40045	104-40055	104-40065
*	II	104-40016	104-40046	104-40056	104-40066
*	II	104-40194	104-40144	104-40154	104-40174
hand soldering connection 	II	-	-	104-40115	104-40075

**On request:** \* Terminals Au/Ni Part No. 104-45... — with/without mounting flange — Terminal pin Ø 0.65 mm — other pin length — other quality class