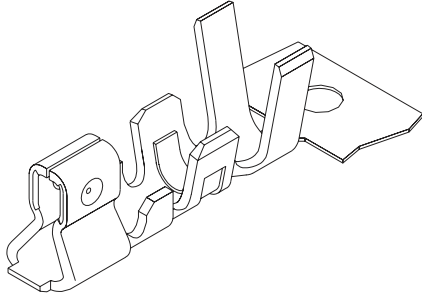


1.50mm (.059") Pitch Pico-SPOX™ Wire-to-Board Crimp Terminal

87421



Order No.	Lead-free
87421-0000	Yes

Features and Benefits

- Low profile
- Locking tang snaps into housing window for secure retention
- Dual-point contact design
- Anti-fishhooking box design protects contact area

Reference Information

Product Specification: PS-87437
 Packaging: Reel
 Wire Style: UL1061
 UL File No.: E29179
 CSA File No.: LR19980A
 Use With: 87439 housing
 Designed In: Millimeters

Electrical

Voltage: 30V
 Current:

AWG	24	26	28	30
	3.0A	2.0A	1.5A	1.5A

Contact Resistance: 40 milliohms max.
 Dielectric Withstanding Voltage: 500V AC
 Insulation Resistance: 1000 Megohms min.

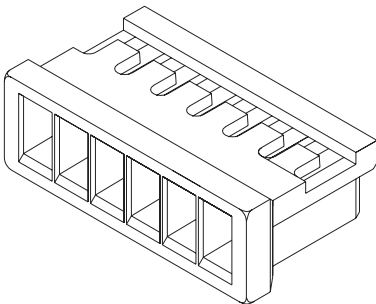
Physical

Contact: Phosphor Bronze
 Plating: Tin
 Wire Range: 24, 26, 28, 30 AWG
 Operating Temperature: -55 to +105°C
 Insulation Diameter: 1.10mm dia. max.

www.molex.com/customer.html?seriesNumber=87421

1.50mm (.059") Pitch Pico-SPOX™ Wire-to-Board Housing

87439



Features and Benefits

- Sizes 2 to 15 circuits
- Standard with center locking ramp
- Locking windows secure terminal to housing
- Lead-in chamfer facilitates mating

Reference Information

Product Specification: PS-87437
 Packaging: Bag
 UL File No.: E29179
 CSA File No.: LR19980A
 Mates With: 87437 and 87438 headers
 Use With: 87421 crimp terminal
 Designed In: Millimeters

Physical

Housing: Natural glass-filled 6/6 nylon, UL 94V-0
 Operating Temperature: -55 to + 105°C

Circuits	Order No.
2	87439-0200
3	87439-0300
4	87439-0400
5	87439-0500
6	87439-0600
7	87439-0700
8	87439-0800

Circuits	Order No.
9	87439-0900
10	87439-1000
11	87439-1100
12	87439-1200
13	87439-1300
14	87439-1400
15	87439-1500