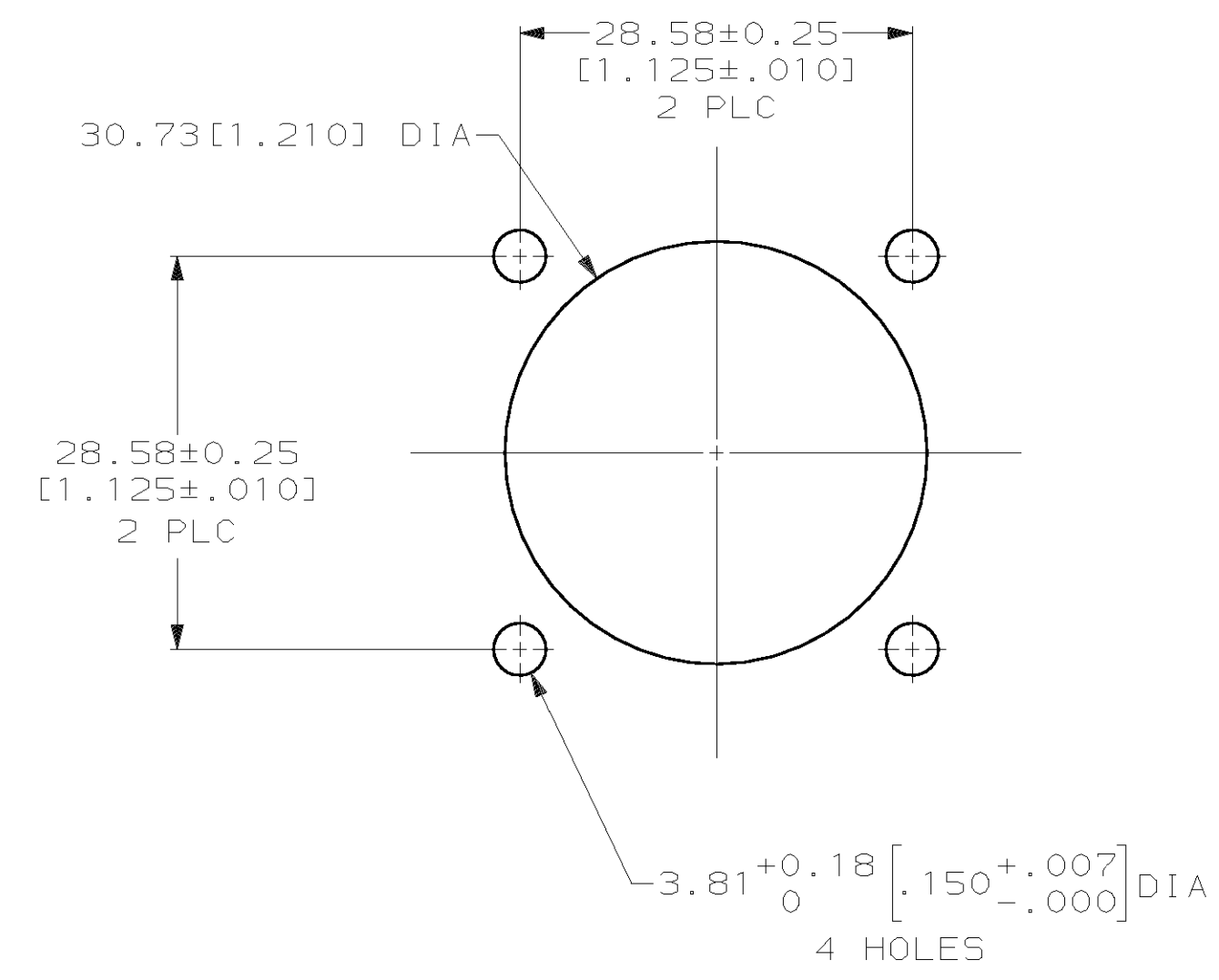
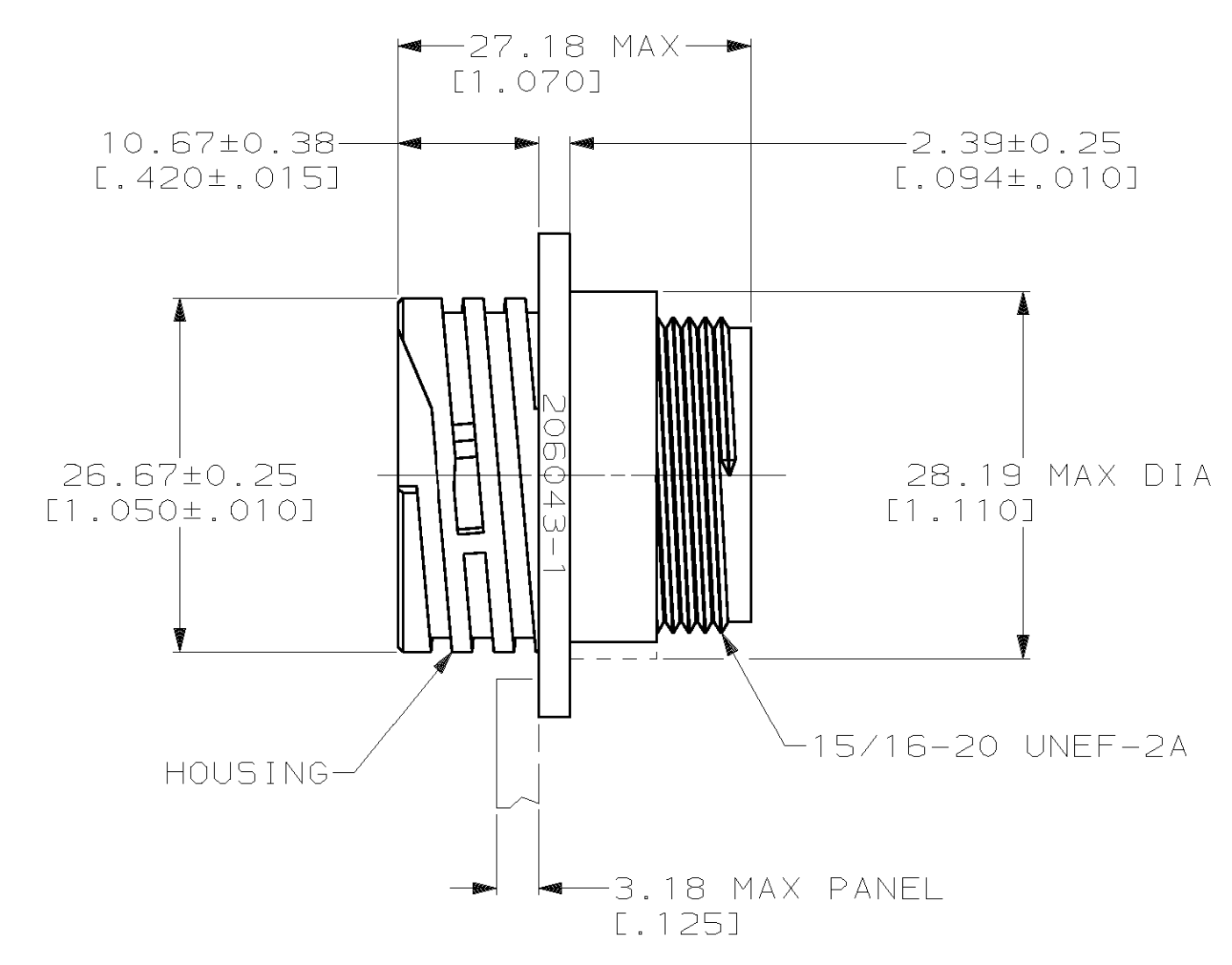
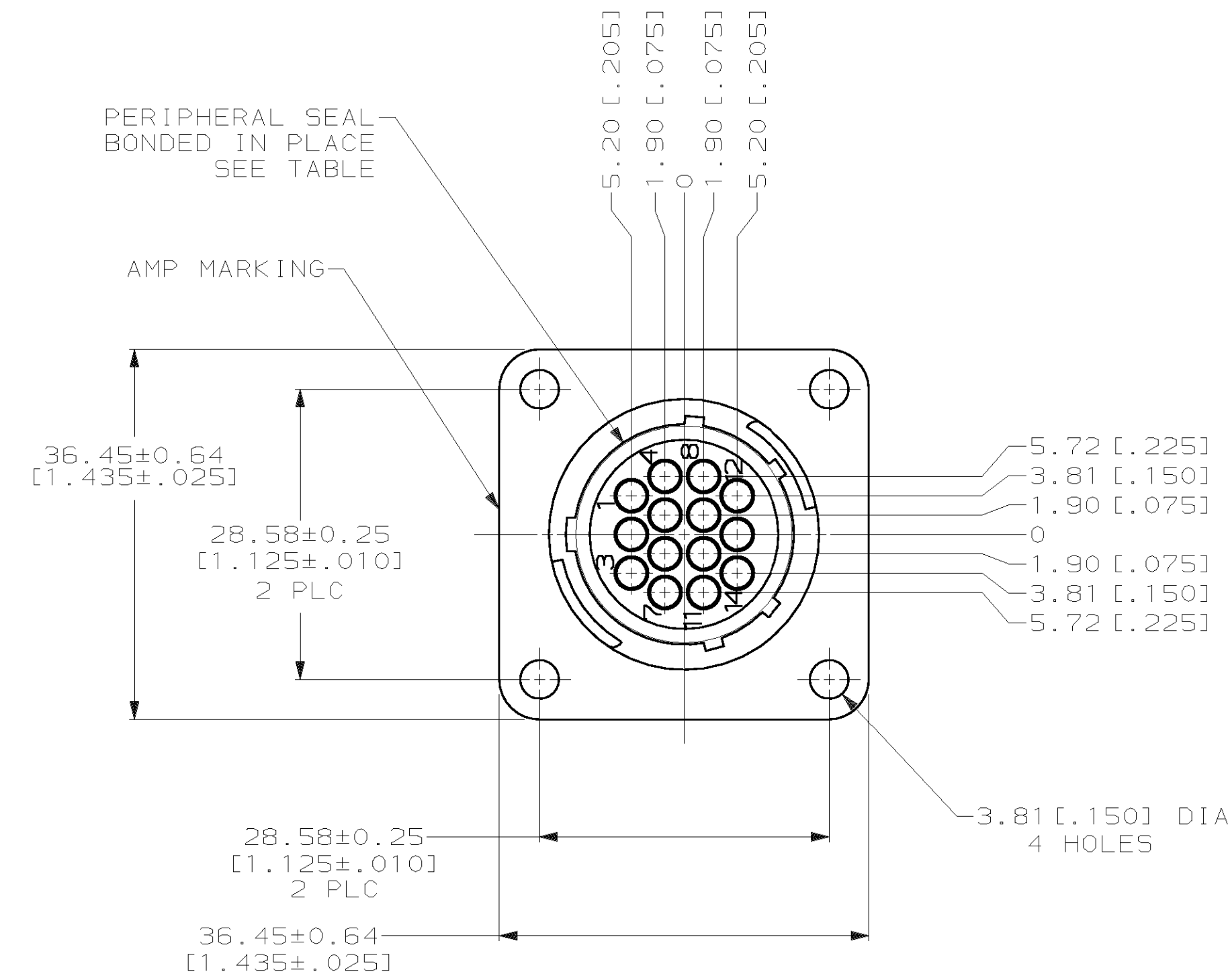
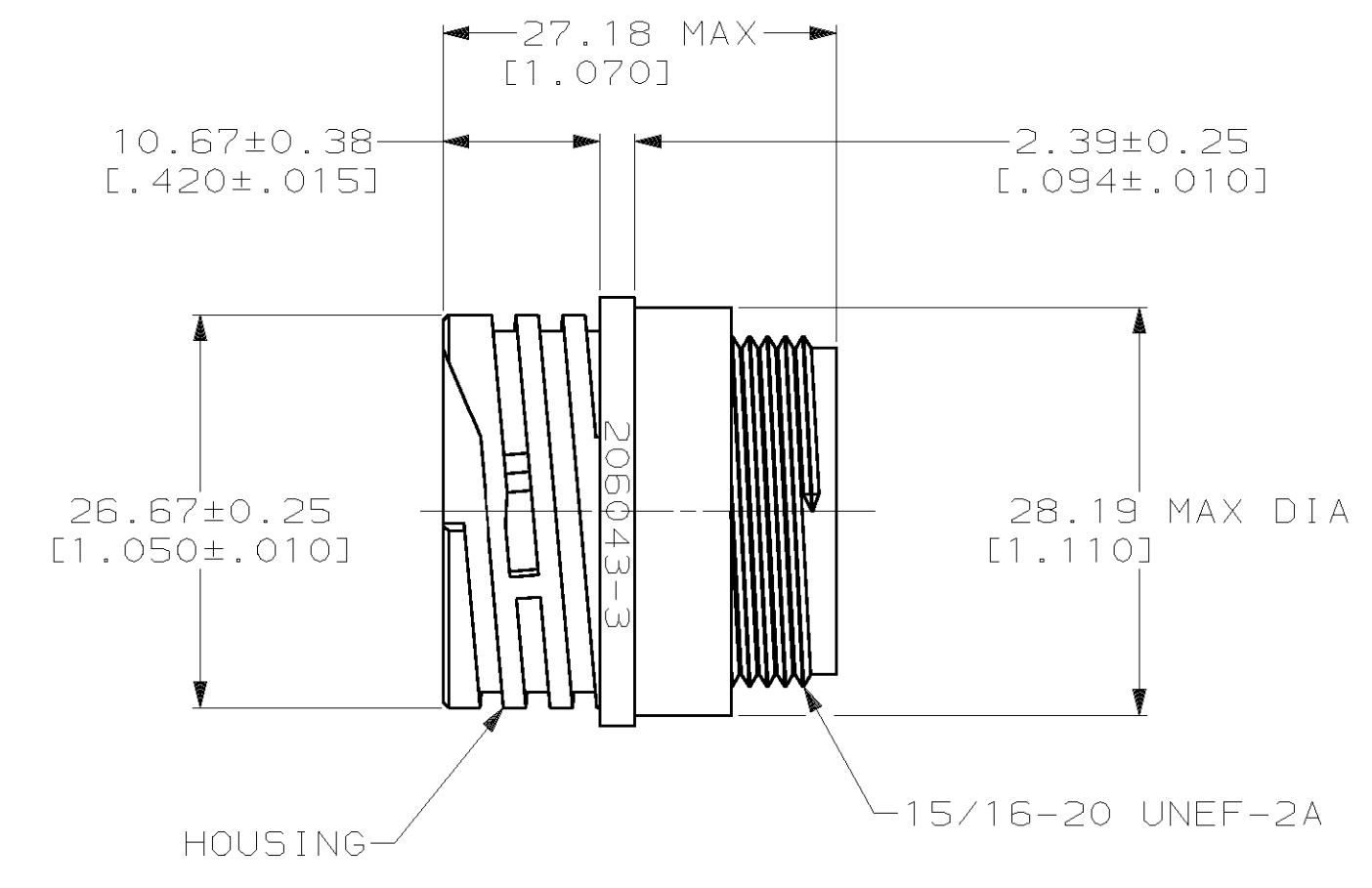
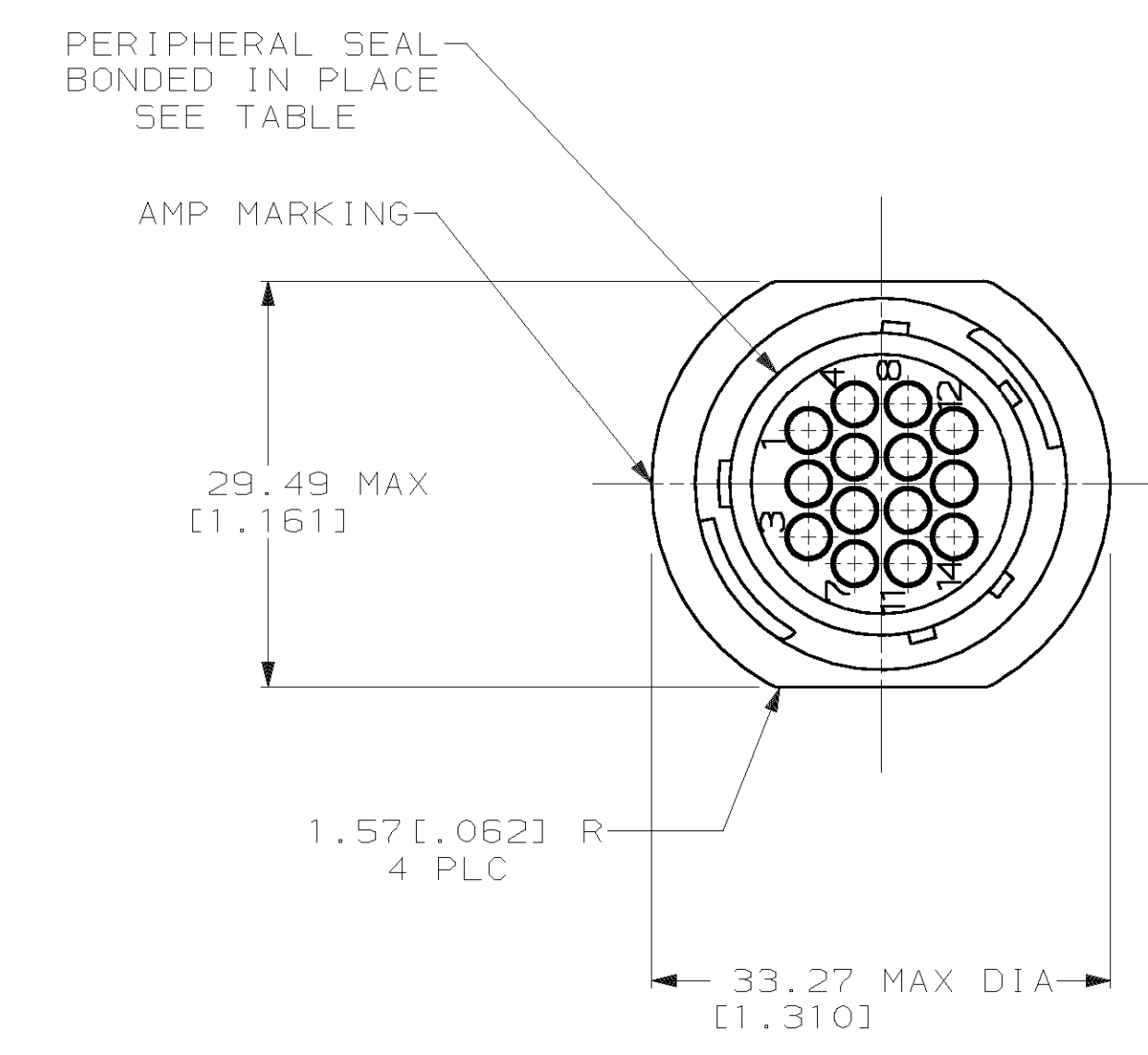


LOC	DIST	P	F	ZONE	LTR	DESCRIPTION	DATE	APPD
FT	0				M	REVISE PER ECN 063B-0097-00	17APR00	5U/MC



DETAIL A



DETAIL B

1. CAVITY IDENTIFICATION ON FRONT AND REAR FACE.
2. WILL ACCEPT FOURTEEN (14) MULTIMATE SOCKET CONTACTS.

SMALL PACK	NO	A	206043-6
STANDARD	YES	B	206043-5
STANDARD	YES	A	206043-4
STANDARD	NO	B	206043-3
STANDARD	NO	A	206043-1
PACKAGING	PERIPHERAL SEAL	SEE DETAIL	PART NO

DO NOT SCALE PRINT. UNLESS SPECIFIED DIMENSIONS IN mm [INCHES] TOLERANCES ON: 2 PLC DEC ± 0.13 [.005] 3 PLC DEC ± - ANGLES ± -	DR 09/10/92 W.LENKER CHK 08/11/93 R.STONE APPD 08/13/93 A.FRANTUM APPD 08/13/93 A.FRANTUM PRODUCT SPEC 108-10024 APPLICATION SPEC -
MATERIAL HOUSING: NYLON, BLACK SEAL: ELASTOMER, GREY FINISH -	WEIGHT -

AMP Incorporated Harrisburg, PA 17105-3508		
NAME RECEPTACLE ASSEMBLY, REVERSE SEX, SERIES 1, 17-14, CPC		
SIZE D	CAGE CODE 00779	DRAWING NO C-206043
SCALE 2:1	SHEET 1 OF 1	

THIS DRAWING IS A CONTROLLED DOCUMENT FOR AMP INCORPORATED. IT IS SUBJECT TO CHANGE AND THE CONTROLLING ENGINEERING ORGANIZATION SHOULD BE CONTACTED FOR THE LATEST REVISION.