

Search:

Select Location:

[Enclosures](#) | [Contract Manufacturing](#) | [Products](#) | [Company info](#) | [News & Events](#) | [Contacts](#) | [Downloads](#)

Product card: PC 30/25-FC3

Sample photo

Including: Base, terminal compartment cover with EPDM gasket and screws for mounting plate/DIN-rail. -3 and -L3 versions: Transparent cover with PUR gasket, hinges, locking devices; FC version: Closed PC frame front plate with PUR gasket and cover screws.

Product nbr: 7520231
 Description: Enclosure, PC
 Remarks: With front plate frame
 Package: 1
 Unit: PCS
 Product group: CARDMASTER
 EAN: 6418074059383

Dimensions:

Length (mm): 314
 Width (mm): 260
 Height (mm): 110
 Length (inch): 12.3
 Width (inch): 10.2
 Height (inch): 4.3

Materials:

Material: Polycarbonate
 Base colour: RAL 7035
 Gasket material: EPDM and Polyurethane

Temperatures:

Min temperature °C (short term): -40
 Max temperature °C (short term): 120
 Min temperature °C (continuous): -40
 Max temperature °C (continuous): 80
 Min temperature °F (short term): -40
 Max temperature °F (short term): 250
 Min temperature °F (continuous): -40
 Max temperature °F (continuous): 175

Rating:

Ingress Protection (EN 60529):	IP 65
Impact Resistance (EN 50102):	IK 08/07
Electrical insulation:	Totally insulated
Halogen free (DIN/VDE 0472, Part 815):	Yes
UV resistance:	UL 508
Flammability Rating (UL 746 C 5):	UL 94 5V
Glow Wire Test (IEC 695-2-1) °C:	960
NEMA Class:	NEMA 1, 3, 3R, 4X, 12, 13

Certificates:

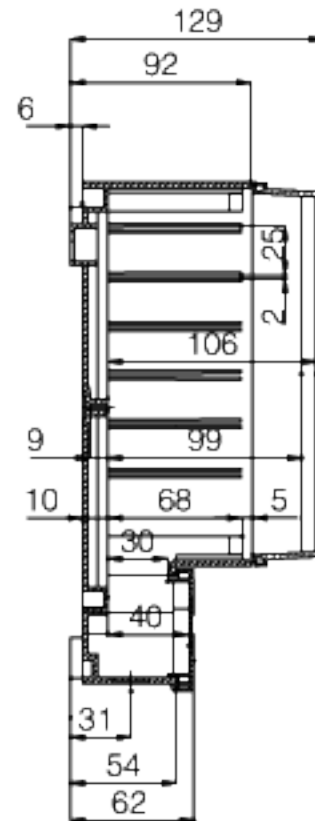
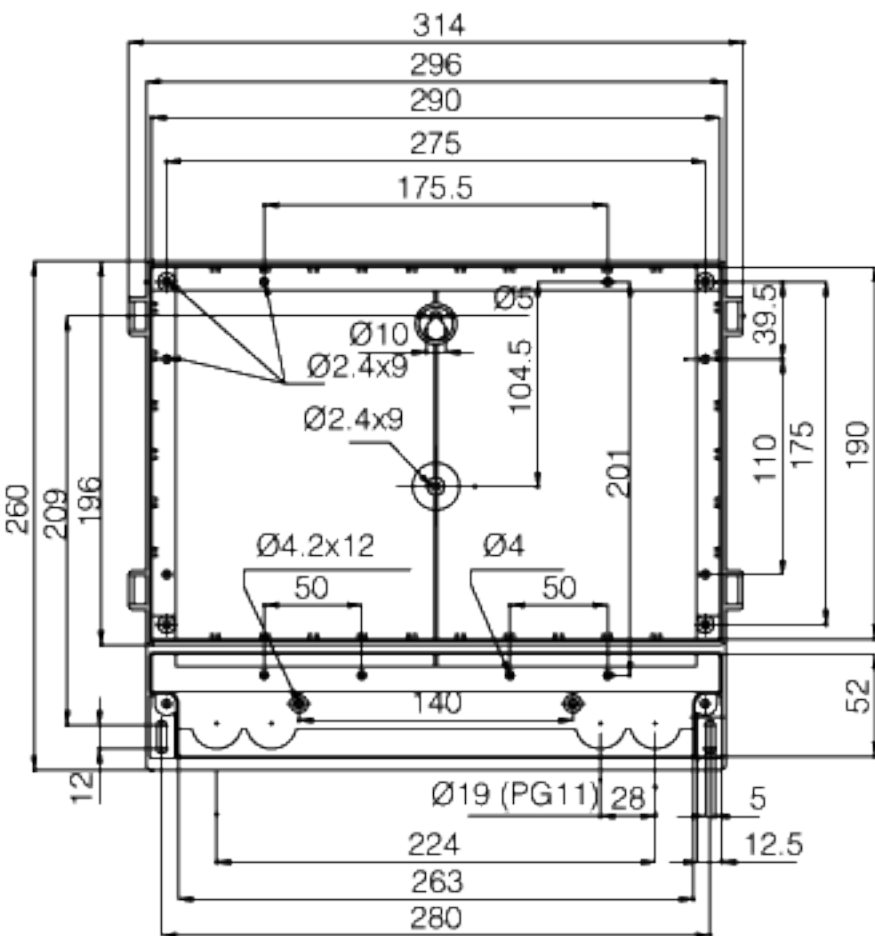
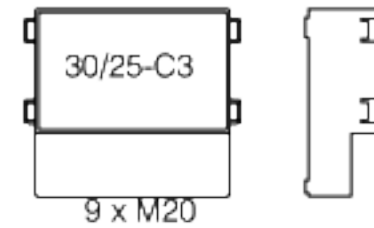
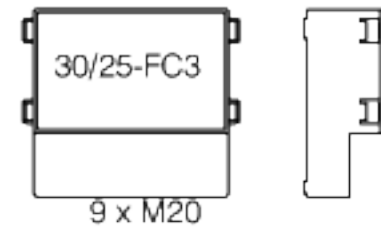
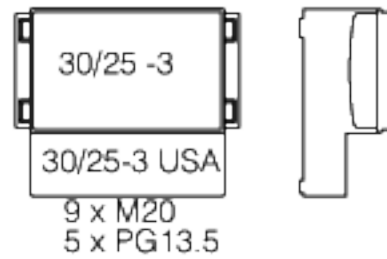
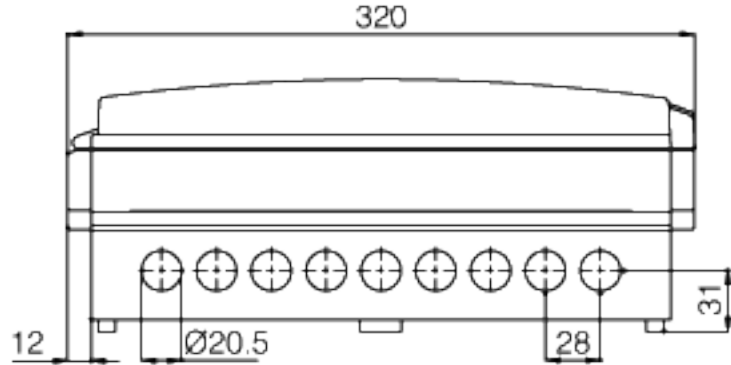
Underwriters Laboratories
Fimko
Europe EN 50298: 1998
UL Canada
Gost R

Product is connected to following catalogs:

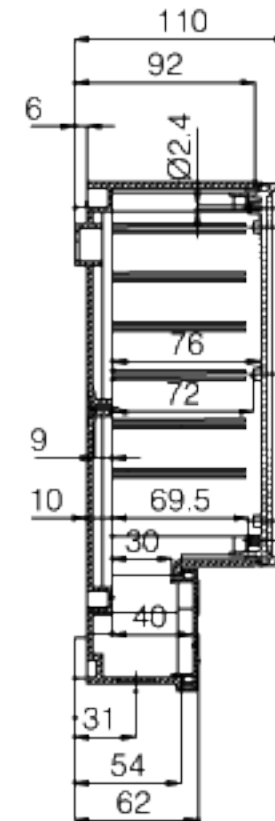
[Fibox catalogue](#) : [CARDMASTER](#) : [PC/ABS 30/25](#)

[Enclosure search](#)

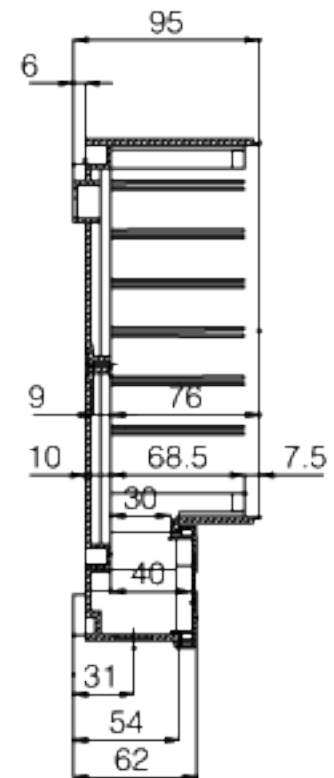
[Back to catalog](#)



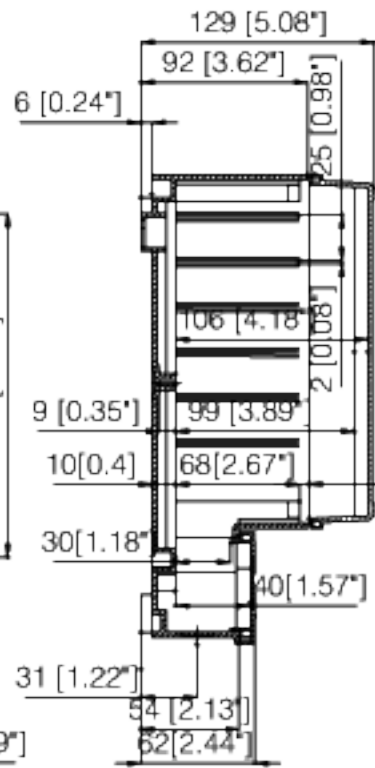
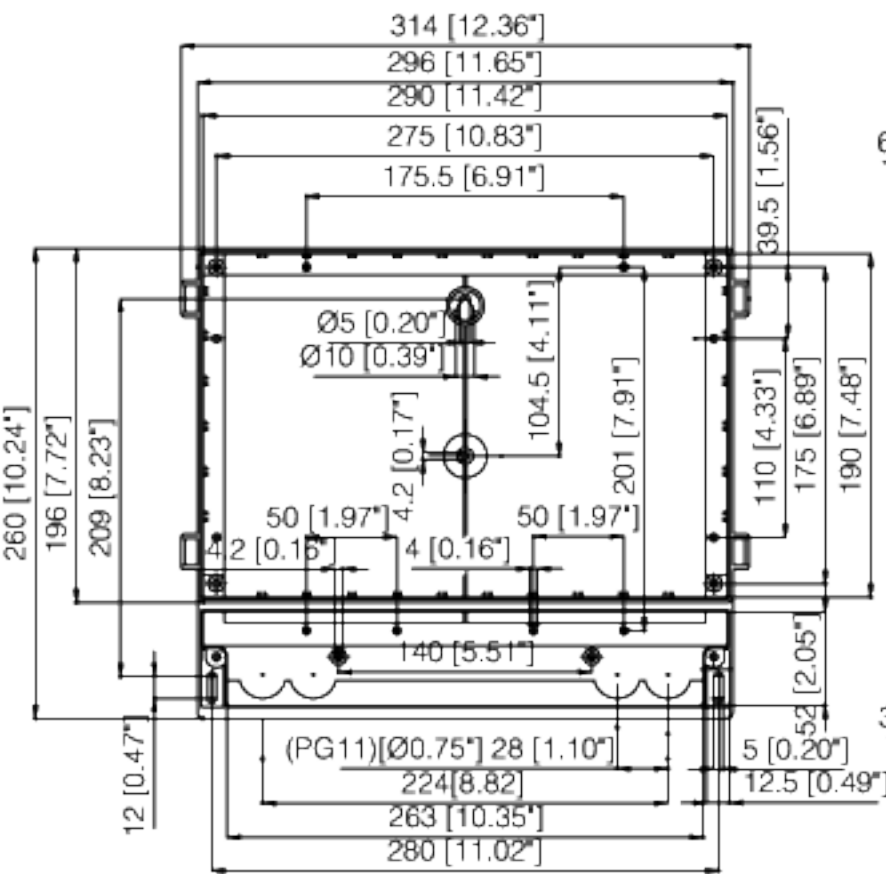
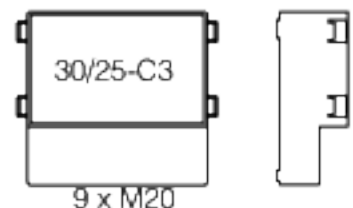
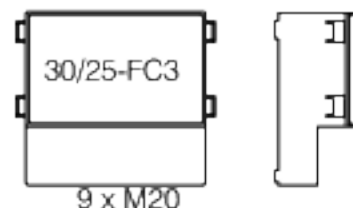
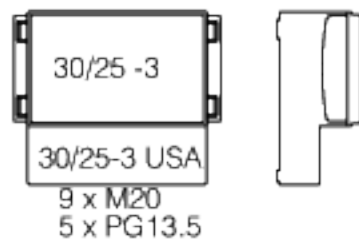
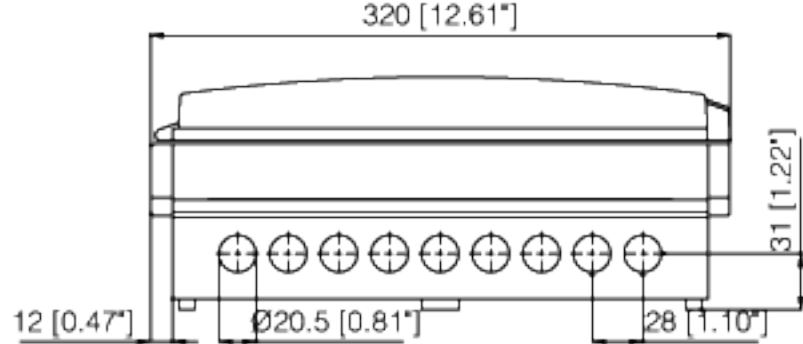
30/25 -3
30/25-3 USA



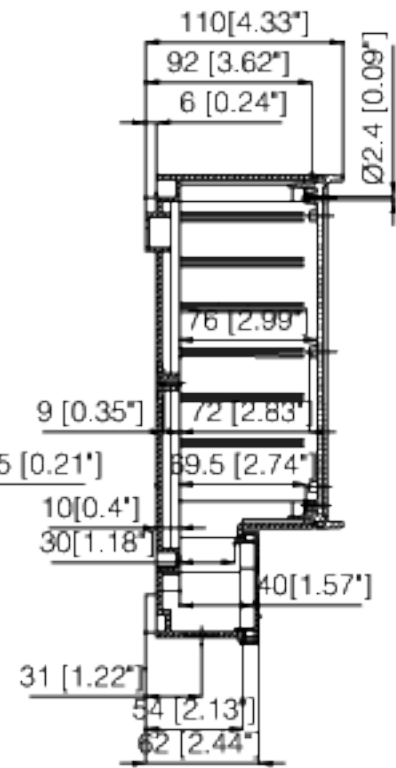
30/25-FC3



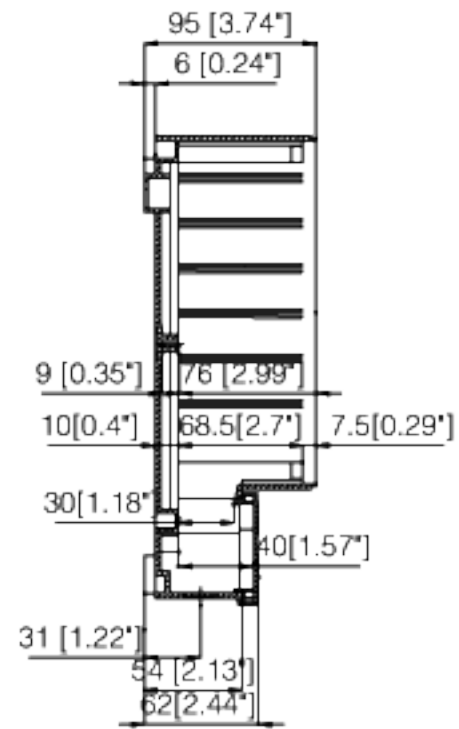
30/25-C3



30/25-3
 30/25-3 USA



30/25-FC3



30/25-C3