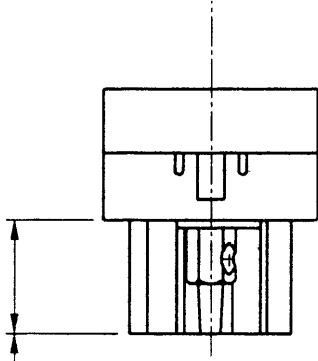
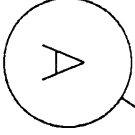
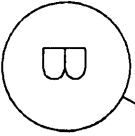
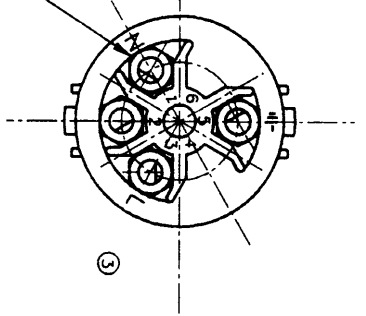
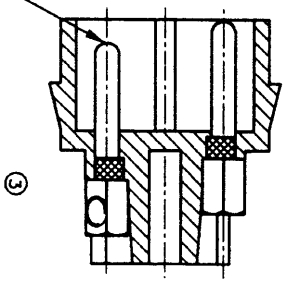
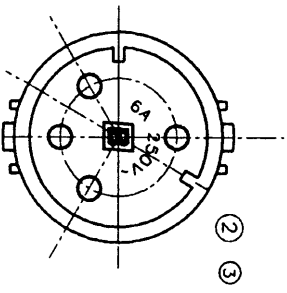


307 3210

ISS	CHANGE	DATE	ISS	CHANGE	DATE	ISS	CHANGE	DATE	THIRD ANGLE PROJECTION	DRAWN RGR	SCALE 2:1	BULGIN BULGIN COMPONENTS P.L.C. BRIDGE ROAD BRADING EASTERN ENGLAND TEL: 01252 811111 FAX: 01252 811111 THIS DRAWING & DESIGN IS THE COPYRIGHT OF BULGIN COMPONENTS P.L.C. & MUST NOT BE USED FOR ANY PURPOSE OTHER THAN THAT FOR WHICH IT IS SUPPLIED. REPRODUCTION OR DISCLOSURE TO A THIRD PARTY IS FORBIDDEN WITHOUT WRITTEN PERMISSION.	TITLE 4 WAY PIN CARRIER
A	DRAWN	12/2/98	2	CN12172 CN12173	11/9/98				DO NOT SCALE DRAWING	CHK <i>[Signature]</i>	DEV. No. E1676		USED ON
1	ISSUED	23/4/98	3	CN12173 CN12174 CN12175	11/1/98								



ASSEMBLY OF CONTACTS & BARRIERS
TO FIT INTO RING GAUGE Ø15.19



A 4 POSITIONS
PRESS INTO ITEM B

NOTE 1 ENSURE THAT PINS ARE PRESSED INTO
MOULDING IN CORRECT ORIENTATION TO
ALLOW ACCESS TO GRUB SCREW SLOTS. ALSO
ENSURE FLAT ON KNURLED SECTION OF PIN
IS ALIGNED WITH FLATS ON MOULDING.

B	13411	1	4 WAY PIN CARRIER
A	SA3252	4	PIN/SCREW SA
REF	PART NO.	QTY	DESCRIPTION

SA3241