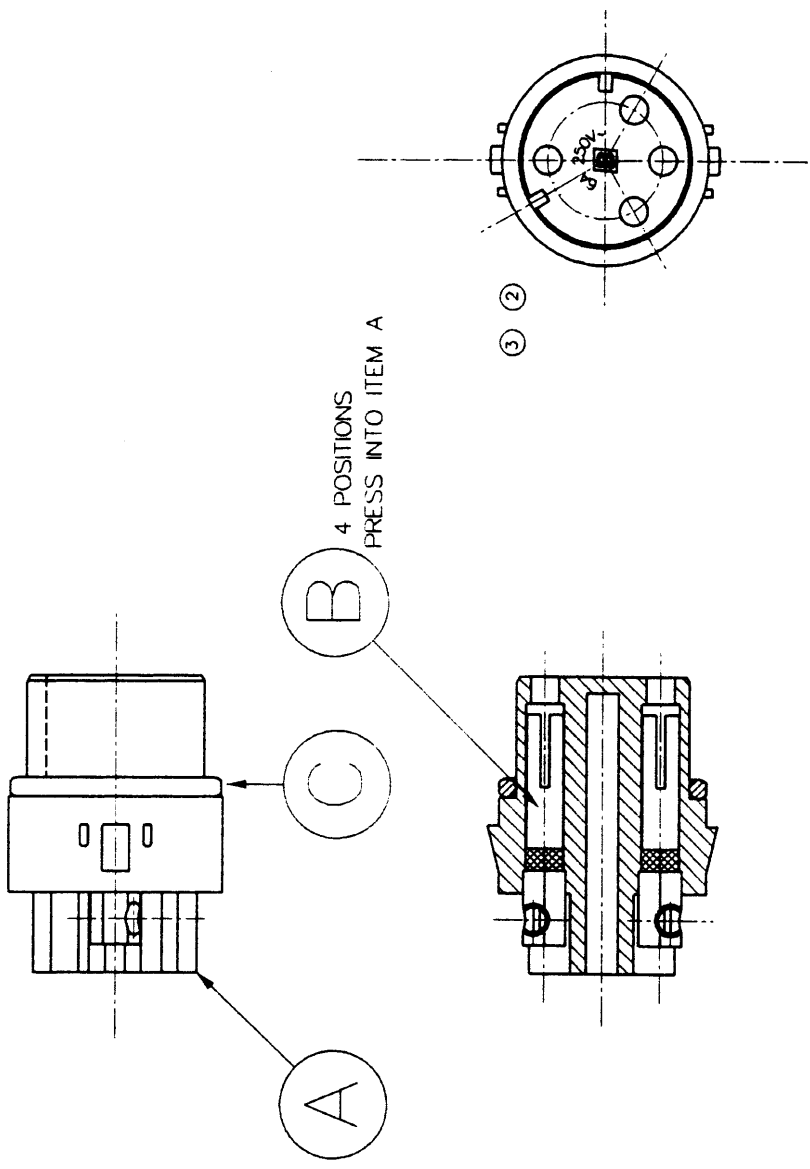


307 3221

SA 3242
 TITLE
 4 WAY SKT CARRIER
 USED ON

BULGIN
 BELGIAN COMPONENTS P.L.C.
 BYPASS ROAD BAWING ESSEX CH1 0AZ ENGLAND
 TELEPHONE 0474 346 300
 TELE FAX 0474 346 304
 THIS DRAWING & DESIGN IS THE COPYRIGHT OF BELGIAN COMPONENTS P.L.C. & MUST NOT BE
 USED FOR ANY PURPOSE OTHER THAN THAT FOR WHICH IT IS SUPPLIED. REPRODUCTION OR
 DISCLOSURE TO A THIRD PARTY FORBIDDEN WITHOUT WRITTEN PERMISSION.

ISS	CHANGE	DATE	ISS	CHANGE	DATE	ISS	CHANGE	DATE	THIRD ANGLE PROJECTION	DRAWN	RGR
A	DRAWN	18.2.98	2	CN12112 CN12123	18/9/98				DO NOT SCALE DRAWING	SCALE 2:1	
1	ISSUED	23.4.98	3	CN12173 CN12175	18/11/98					DEV. No E1676	



ENSURE THAT SOCKETS ARE PRESSED INTO MouldING IN CORRECT ORIENTATION TO ALLOW ACCESS TO GRUBSCREW SLOTS

C	12821	1	O RING
B	SA3251	4	SOCKET / SCREW SA
A	13412	1	SOCKET CARRIER
REF.	PART NO.	QTY.	DESCRIPTION

③