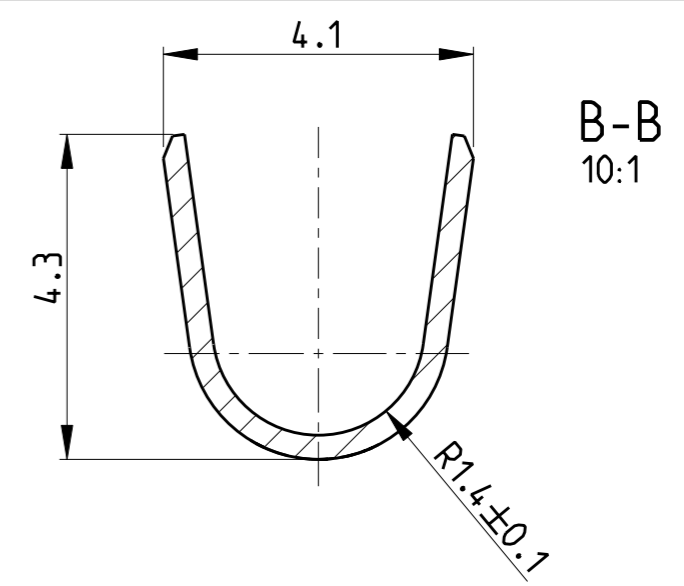
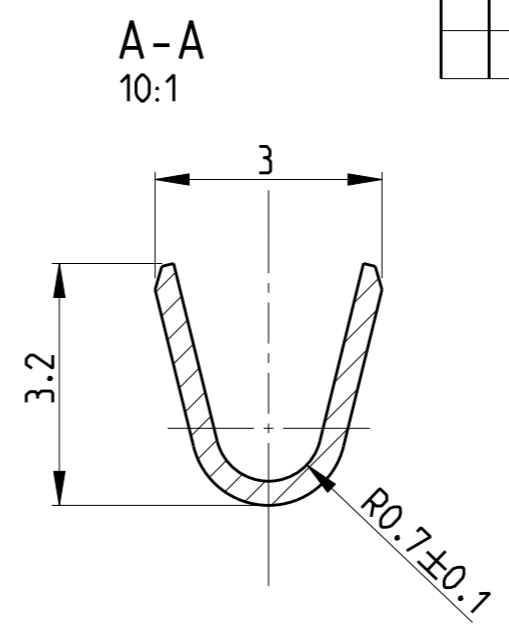
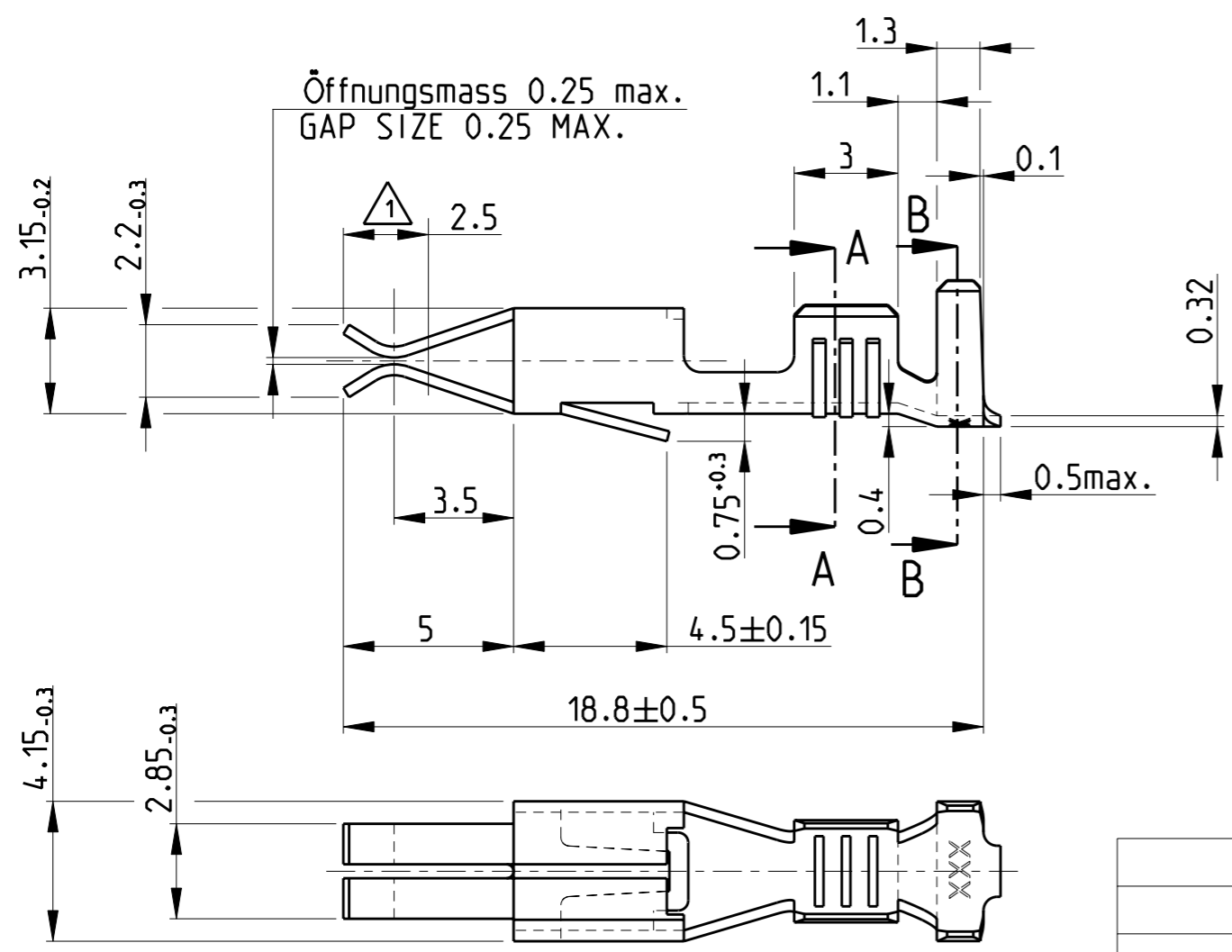


THIS DRAWING IS UNPUBLISHED. RELEASED FOR PUBLICATION 2005
 © COPYRIGHT 2005 BY TYCO ELECTRONICS CORPORATION. ALL RIGHTS RESERVED.

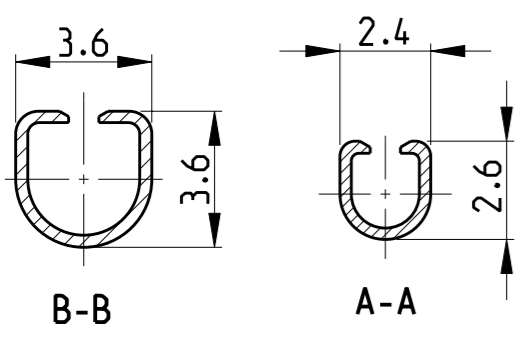
LOC	DIST	REVISIONS			
P	LTR	DESCRIPTION	DATE	DWN	APVD
AI	-	Y	NEW CAD DRAWING CREATED	19SEP2005	Abr Bru
		Y1	LOOSE PIECE PN925596 SECTION A-A/B-B ADDED	08OCT2008	Mey Bru



Leitung / WIRE : FLK-Leitng / FLK-WIRE
 Leiter / WIRE : F-Crimp
 Isolation : F-Crimp

Drahtgrößenbereich 0.5-1.5 mm²
 WIRE RANGE 0.5-1.5 mm²
 Isolationsbereich Ø2.0-3.0 mm
 INSULATION RANGE Ø2.0-3.0 mm

Loose Piece
 PN 925596



Einzel- anschlag SINGLE CONNECTION	Leitungsquerschnitt in mm ² CROSS - SECTION IN mm ²								
	0.50	0.75	1.00	1.50	2.00	2.50	3.00	4.00	6.00
0.50	X	X							
0.75	X								
1.00	X								
1.50	X								
2.00									
2.50									
3.00									

SPLICE FREE	1-925596-1	CuSn4	vorverzinkt/PRETINED	1-925590-1	Y
	1-925596-0	CuNi12Zn24	blank/PLAIN	1-925590-0	Y
nur für/ONLY FOR TYCO GB	925596-9	CuSn4	vorverzinkt/PRETINED	925590-9	Y
nur für/ONLY FOR TYCO Brasilien/BRASIL	925596-8	CuSn4	verzinkt/ELECTRO TIN	925590-8	Y
	925596-6	CuSn4	versilbert/SILVER PLATED $\triangle 1$	925590-6	Y
	925596-5	CuSn4	blank/PLAIN	925590-5	Y
	925596-4	CuZn30	vorversilbert/PRESILVER	925590-4	Y
	925596-3	CuSn4	vergoldet/GOLD PLATED $\triangle 1$	925590-3	Y
	925596-2	CuSn4	vorverzinkt/PRETINED	925590-2	Y
	925596-1	CuZn30	vorverzinkt/PRETINED	925590-1	Y
Bemerkungen/NOTES	LOOSE PIECE MATERIAL	SURFACE COLOR		PART NO	REV

THIS DRAWING IS A CONTROLLED DOCUMENT FOR TYCO ELECTRONICS CORPORATION IT IS SUBJECT TO CHANGE AND THE CONTROLLING ENGINEERING ORGANIZATION SHOULD BE CONTACTED FOR THE LATEST REVISION.

DWN 19SEP2005 Abraham.G.
 CHK 20SEP2005 Brunner.M.
 APVD 21SEP2005 Bleicher.M.

Tyco Electronics tyco Electronics AMP GmbH
 D - 64625 Bensheim

NAME Junior-Timer-Kontakt
 JUNIOR-TIMER-CONTACT

PRODUCT SPEC 108-18053
 APPLICATION SPEC 114-18079

WEIGHT 0.35 g

SIZE A3 CAGE CODE 00779 DRAWING NO 925590 RESTRICTED TO -

CUSTOMER DRAWING SCALE 5:1 SHEET 1 OF 1 REV Y1