

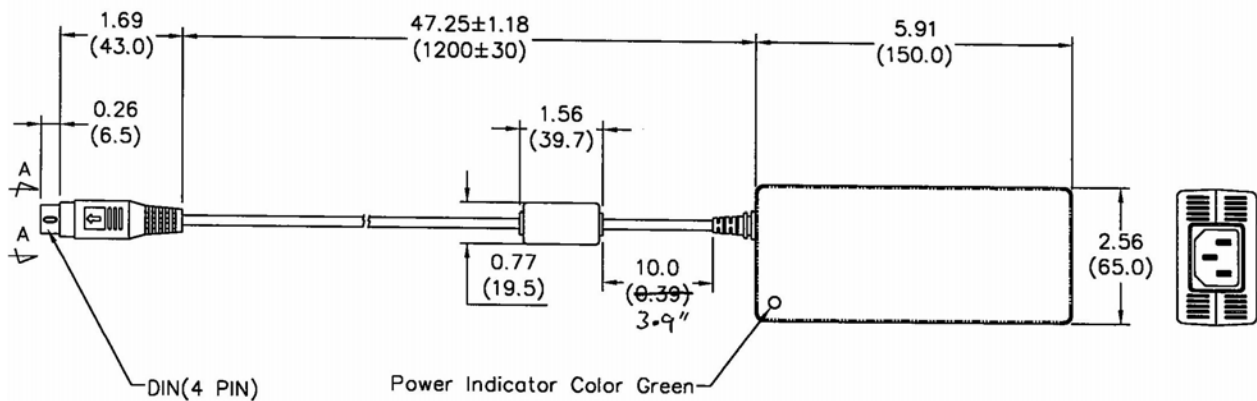
DATA SHEET

PART NO T3639ST



DESCRIPTION:

100-240Vac: 12Vdc Reg. 10Amp Desk Top PSU



INPUT VOLTS	100-240Vac
FREQUENCY	50-60Hz
POWER FACTOR CORRECTION	AC Active
INPUT CURRENT (min.)	
INPUT CURRENT (max.)	2Amp RMS
LEAKAGE CURRENT	0.75mA Max
EFFICIENCY (min)	85%
O/P VOLTS NO LOAD	12Vdc
O/P VOLTS (+/-5%)	12Vdc
O/P CURRENT	10Amps
OVER VOLTAGE PROTECTION	Yes
OUTPUT PROTECTION(Auto Restart)	Yes
RIPPLE & NOISE (P-P)	
OPERATING TEMPERATURE (°C)	10 to 40
HUMIDITY	
STORAGE TEMPERATURE (°C)	
HUMIDITY	
FLASH TEST (Input to Output)	3KVac
INPUT CONNECTOR	IEC320 C14
LEAD LENGTH	N/A
OUTPUT CONNECTOR	4 Pin MiniDin
OUTPUT POLARITY	See Label
LEAD LENGTH	1.5 mtr.
LENGTH	150mm
WIDTH	65mm
DEPTH	38mm
MOUNTING CENTRES	N/A
WEIGHT	515 Grams
CASE MATERIAL	UL94-V0

LABELLING:

STONTRONICS AC/DC ADAPTER

PART NO.: T3639ST
 MODEL NO.: PAC120F
 INPUT: 100~240V~ 50/60Hz 2.0A
 OUTPUT: 12V ---10.0A

WARNING
 FOR I.T.E USE ONLY LIMITED POWER
 SOURCE RISK OF ELECTRIC SHOCK DO
 NOT OPEN

WARNING
 Apparaten må kun tilkøples jorden
 stikkontakt. Apparaten skal anslutas till
 jordat uttag när den anslut still ett natvert.

CAUTION:FOR INDOOR USE ONLY.

DATE: XXXX
SIN: XXXXXXXXXX

MADE IN CHINA