


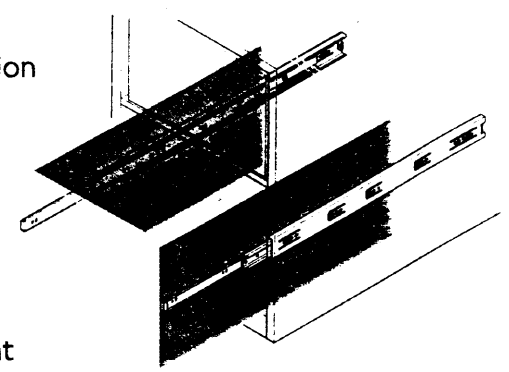
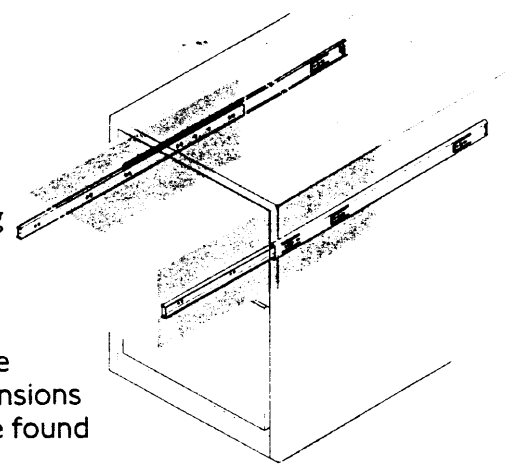
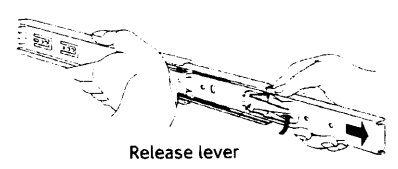
2132 & 3832-B NEW

2132: 35 kg, 3832-B: 45 kg 

3294973
3294985

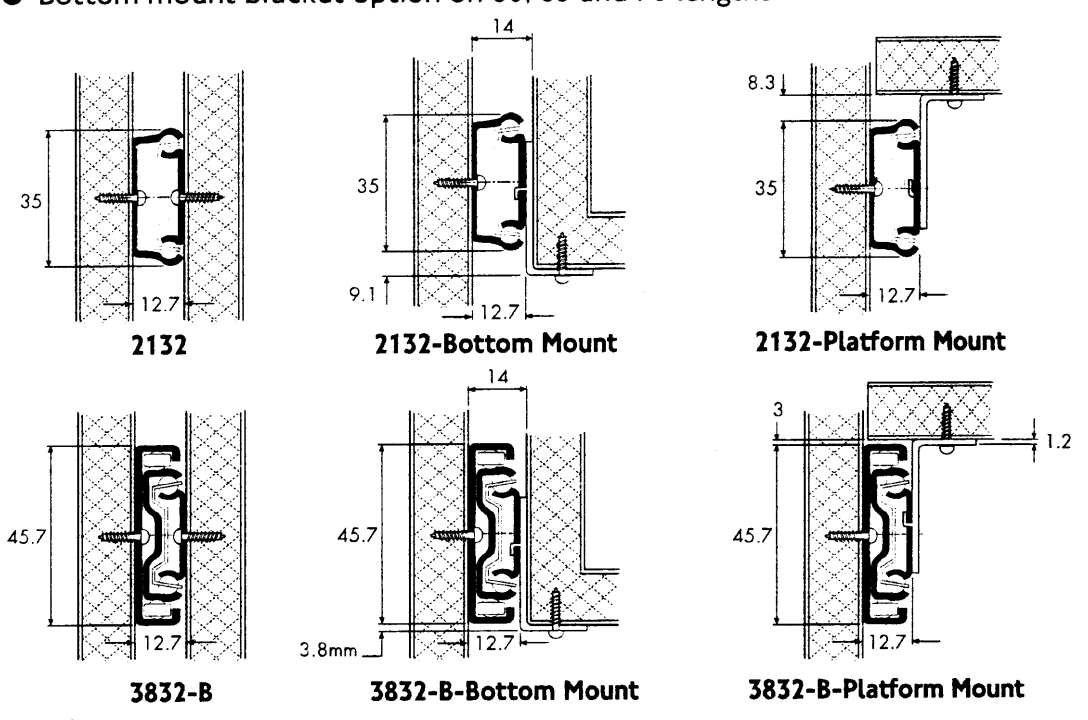
FEATURES

- Optional clip-on bottom mount bracket for lengths 350mm - 700mm (3832-B) 400mm - 700mm (2132)
- 75% (2132) and 100%+ (3832-B) extension
- 35 kg (2132) and 45 kg (3832-B) load rating
- Front disconnect (by rotating lever) for drawer removal
- Platform mounting option
- Metal drawers can be fitted directly to the slide without the use of fixings. The dimensions for the drawer bayonets necessary can be found on the bracket drawing opposite.
- Tolerance absorption tabs
- Silent movement
- Bright or black zinc-plated (new white finish option on 3832-B and bottom mount bracket)
- Greater vertical adjustment on the drawer member
- Easier disconnect with new lever



NEW FOR 3832-B

- Grooved cabinet member - for better movement
- New hold in moulding
- New retainer retention device
- Bottom mount bracket option on 60, 65 and 70 lengths



NOTES

- Dimensions in millimetres.
- All fixing positions must be used to achieve maximum load rating.
- Load rating based on drawer widths up to 450mm. For wider drawers load rating may be reduced.
- Fixing screw recommendation: 4mm wood screw / Ø6 Euro screw.

