

142-0701-621	4
142-0701-626	4
142-0701-631	4
142-0701-636	4
142-0701-701	7
142-0701-706	7
142-1701-011	5
142-1701-016	5
142-1701-031	4
142-1701-036	4
142-1701-041	5
142-1701-046	5
142-1701-121	5
142-1701-126	5
142-1701-131	4
142-1701-136	4
142-1701-191	7
142-1701-196	7
142-1701-201	6
142-1701-206	6
142-1711-001	7
142-1711-006	7
142-1711-011	8
142-1711-016	8
142-1711-021	8
142-1711-026	8
142-1711-031	8
142-1711-036	8
142-1801-031	6
142-1801-036	6
142-1801-041	6
142-1801-046	6
2-Hole Flange Mount Jack Receptacle - Extended Dielectric	4, 6
2-Hole Flange Mount Jack Receptacle - Flush Dielectric	4
2-Hole Flange Mount Plug Receptacle - Extended Dielectric	6
2-Hole RA Flange Mount Jack Receptacle - Extended Dielectric	8
2-Hole RA Flange Mount Jack Receptacle -Extended Dielectric	8
2-Hole RA Flange Mount Jack Receptacle -Extended Dielectric	8
4-Hole Flange Mount Jack Receptacle - Extended Dielectric	5
4-Hole Flange Mount Jack Receptacle - Flush Dielectric	4
4-Hole Flange Mount Jack Receptacle -Extended Dielectric	7
4-Hole Flange Mount Plug Receptacle - Extended Dielectric	6
4-Hole RA Flange Mount Jack Receptacle - Extended Dielectric	7
4-Hole Right Angle Flange Mount Jack Receptacle	7
Specifications	2, 3

SMA - 50 Ohm Connectors

Specifications



INCHES (MILLIMETERS)
CUSTOMER DRAWINGS AVAILABLE UPON REQUEST

ELECTRICAL RATINGS

Impedance: 50 ohms

Frequency Range:

Dummy loads	0-2 GHz
Flexible cable connectors	0-12.4 GHz
Uncabled receptacles, RA semi-rigid and adapters	0-18.0 GHz
Straight semi-rigid cable connectors and field replaceable connectors	0-26.5 GHz

VSWR: (f = GHz)

	Straight	
	Cabled Connectors	Right Angle Cabled Connectors
RG-178 cable	1.20 + .025f	1.20 + .03f
RG-316, LMR-100 cable	1.15 + .02f	1.15 + .03f
RG-58, LMR-195 cable	1.15 + .01f	1.15 + .02f
RG-142 cable	1.15 + .01f	1.15 + .02f
LMR-200, LMR-240 cable	1.10 + .03f	1.10 + .06f
.086 semi-rigid	1.07 + .008f	1.18 + .015f
.141 semi-rigid (w/contact)	1.05 + .008f	1.15 + .015f
.141 semi-rigid (w/o contact)	1.035 + .005f	
Jack-bulkhead jack adapter and plug-plug adapter	1.05 + .01f	
Jack-jack adapter and plug-jack adapter	1.05 + .005f	
Uncabled receptacles, dummy loads	N/A	
Field replaceable (see page 59)	N/A	

Working Voltage: (Vrms maximum)†

Connectors for Cable Type	Sea Level	70K Feet
RG-178	170	45
RG-316; LMR-100, 195, 200	250	65
RG-58, RG-142, LMR-240, .086 semi-rigid, uncabled receptacles, .141 semi-rigid w/o contact	335	85
.141 semi-rigid with contact and adapters	500	125
Dummy loads		N/A

Dielectric Withstanding Voltage: (VRMS minimum at sea level)†

Connectors for RG-178	500
Connectors for RG-316; LMR-100, 195, 200	750
Connectors for RG-58, RG-142, LMR-240, .086 semi-rigid, field replaceable, uncabled receptacles	1000
Connectors for .141 semi-rigid with contact and adapters	1500
Connectors for .141 semi-rigid w/o contact, dummy loads	N/A

Corona Level: (Volts minimum at 70,000 feet)†

Connectors for RG-178	125
Connectors for RG-316; LMR-100, 195, 200	190
Connectors for RG-58, RG-142, LMR-240, .086 semi-rigid, uncabled receptacles, .141 semi-rigid w/o contact	250
Connectors for .141 semi-rigid with contact and adapters	375
Dummy loads	N/A

Insertion Loss: (dB maximum)

Straight flexible cable connectors and adapters	0.06	\sqrt{f} (GHz), tested at 6 GHz
Right angle flexible cable connectors	0.15	\sqrt{f} (GHz), tested at 6 GHz
Straight semi-rigid cable connectors with contact	0.03	\sqrt{f} (GHz), tested at 10 GHz
Right angle semi-rigid cable connectors	0.05	\sqrt{f} (GHz), tested at 10 GHz
Straight semi-rigid cable connectors w/o contact	0.03	\sqrt{f} (GHz), tested at 16 GHz
Straight low loss flexible cable connectors	0.06	\sqrt{f} (GHz), tested at 1 GHz
Right Angle low loss flexible cable connectors	0.15	\sqrt{f} (GHz), tested at 1 GHz
Uncabled receptacles, field replaceable, dummy loads		N/A

Insulation Resistance: 5000 megohms minimum

Contact Resistance: (milliohms maximum) **Initial** **After Environmental**

Center contact (straight cabled connectors and uncabled receptacles)	3.0*	4.0*
Center contact (right angle cabled connectors and adapters)	4.0	6.0
Field replaceable connectors	6.0	8.0
Outer contact (all connectors)	2.0	N/A
Braid to body (gold plated connectors)	0.5	N/A
Braid to body (nickel plated connectors)	5.0	N/A

*N/A where the cable center conductor is used as a contact

RF Leakage: (dB minimum, tested at 2.5 GHz)

Flexible cable connectors, adapters and .141 semi-rigid connectors w/o contact	-60 dB
Field replaceable w/o EMI gasket	-70 dB
.086 semi-rigid connectors and .141 semi-rigid connectors with contact, and field replaceable with EMI Gasket	-90 dB
Two-way adapters	-90 dB
Uncabled receptacles, dummy loads	N/A

RF High Potential Withstanding Voltage: (Vrms minimum, tested at 4 and 7 MHz)†

Connectors for RG-178	335
Connectors for RG-316; LMR-100, 195, 200	500
Connectors for RG-58, RG-142, LMR-240, .086 semi-rigid, .141 semi-rigid cable w/o contact, uncabled receptacles	670
Connectors for .141 semi-rigid with contact and adapters	1000

Power Rating (Dummy Load): 0.5 watt @ +25°C, derated to 0.25 watt @ +125°C

MECHANICAL RATINGS

Engagement Design: MIL-C-39012, Series SMA

Engagement/Disengagement Force: 2 inch-pounds maximum

Mating Torque: 7 to 10 inch-pounds

Bulkhead Mounting Nut Torque: 15 inch-pounds minimum

Coupling Proof Torque: 15 inch-pounds minimum

Coupling Nut Retention: 60 pounds minimum

Contact Retention:

- 6 lbs. minimum axial force (captivated contacts)
- 4 inch-ounce minimum torque (uncabled receptacles)

Cable Retention:

	Axial Force*(lbs)	Torque (in-oz)
Connectors for RG-178	10	N/A
Connectors for RG-316, LMR-100	20	N/A
Connectors for LMR-195, 200	30	N/A
Connectors for RG-58, LMR-240	40	N/A
Connectors for RG-142	45	N/A
Connectors for .086 semi-rigid	30	16
Connectors for .141 semi-rigid	60	55

*Or cable breaking strength whichever is less.

Durability: 500 cycles minimum

100 cycles minimum for .141 semi-rigid connectors w/o contact

ENVIRONMENTAL RATINGS (Meets or exceed the applicable paragraph of MIL-C-39012)

Temperature Range: -65°C to +165°C

Thermal Shock: MIL-STD-202, Method 107, Condition B

Corrosion: MIL-STD-202, Method 101, Condition B

Shock: MIL-STD-202, Method 213, Condition I

Vibration: MIL-STD-202, Method 204, Condition D

Moisture Resistance: MIL-STD-202, Method 106

†Avoid user injury due to misapplication. See safety advisory definitions on page 2.

MATERIAL SPECIFICATIONS

Bodies: Brass per QQ-B-626, gold plated* per MIL-G-45204 .00001" min. or nickel plated per QQ-N-290

Contacts: Male - brass per QQ-B-626, gold plated per MIL-G-45204 .00003" min.

Female - beryllium copper per QQ-C-530, gold plated per MIL-G-45204 .00003" min.

Nut Retention Spring: Beryllium copper per QQ-C-533. Unplated

Insulators: PTFE fluorocarbon per ASTM D 1710 and ASTM D 1457 or Tefzel per ASTM D 3159

Expansion Caps: Brass per QQ-B-613, gold plated per MIL-G-45204 .00001" min. or nickel plated per QQ-N-290

Crimp Sleeves: Copper per WW-T-799 or brass per QQ-B-613, gold plated per MIL-G-45204 .00001" min. or nickel plated per QQ-N-290

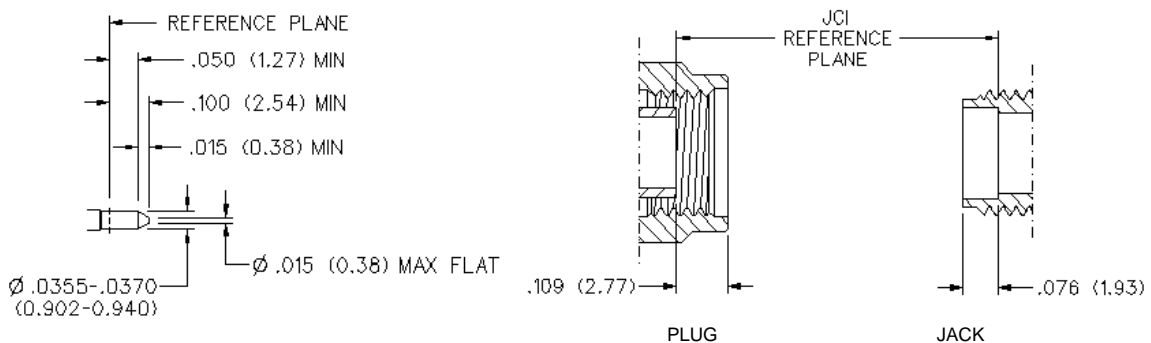
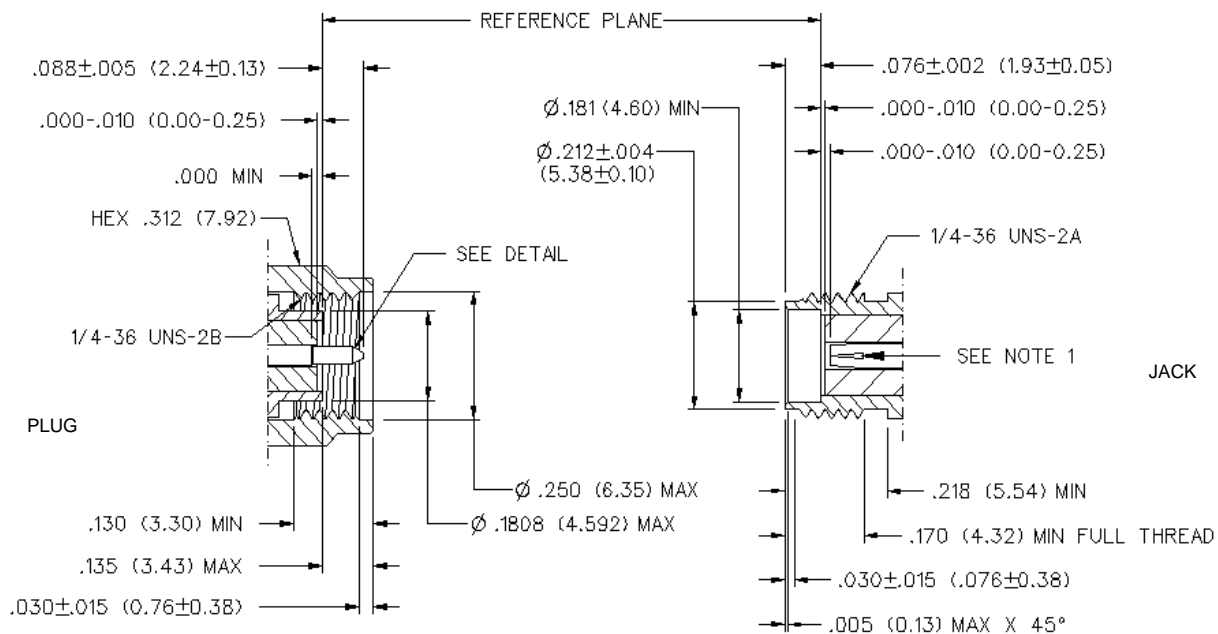
Mounting Hardware: Brass per QQ-B-626 or QQ-B-613, gold plated per MIL-G-45204 .00001" min. or nickel plated per QQ-N-290

Seal Rings: Silicone rubber per ZZ-R-765

EMI Gaskets: Conductive silicone rubber per MIL-G-83528, Type M

* All gold plated parts include a .00005" min. nickel underplate barrier layer.

Mating Engagement for SMA Series per MIL-C-39012



NOTES

1. ID OF CONTACT TO MEET VSWR, CONTACT RESISTANCE AND INSERTION WITHDRAWAL FORCES WHEN MATED WITH DIA. .0355-.0370 MALE PIN.

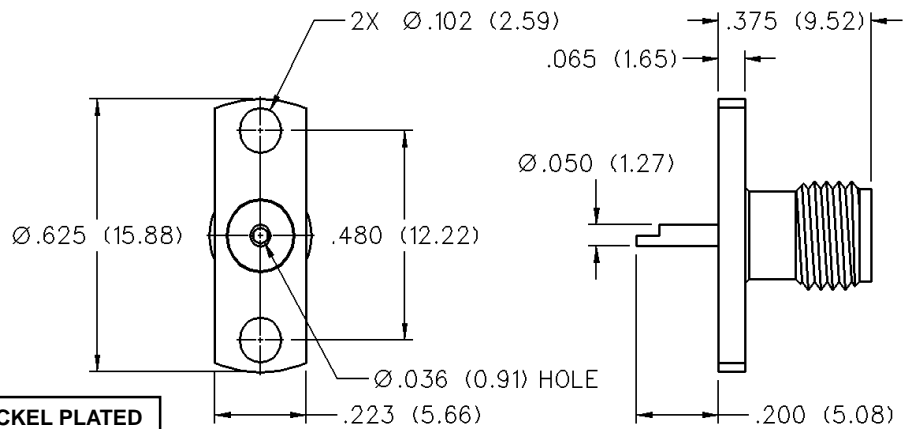
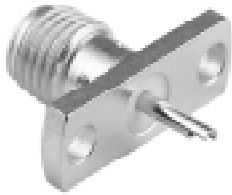
SMA - 50 Ohm Connectors

Panel Mount



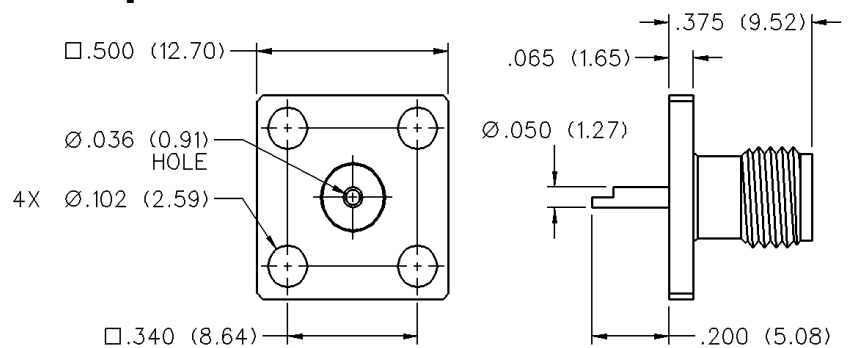
INCHES (MILLIMETERS)
CUSTOMER DRAWINGS AVAILABLE UPON REQUEST

2-Hole Flange Mount Jack Receptacle - Flush Dielectric



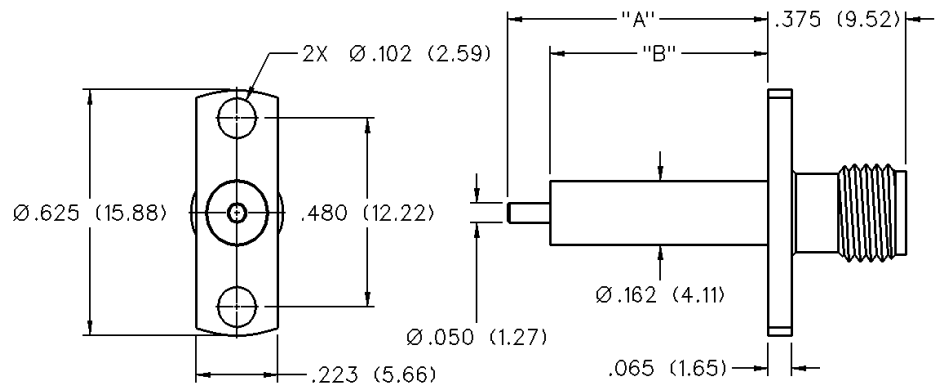
VSWR & FREQ. RANGE	GOLD PLATED	NICKEL PLATED
VSWR: N/A 0-18 GHz	142-0701-621	142-0701-626

4-Hole Flange Mount Jack Receptacle - Flush Dielectric



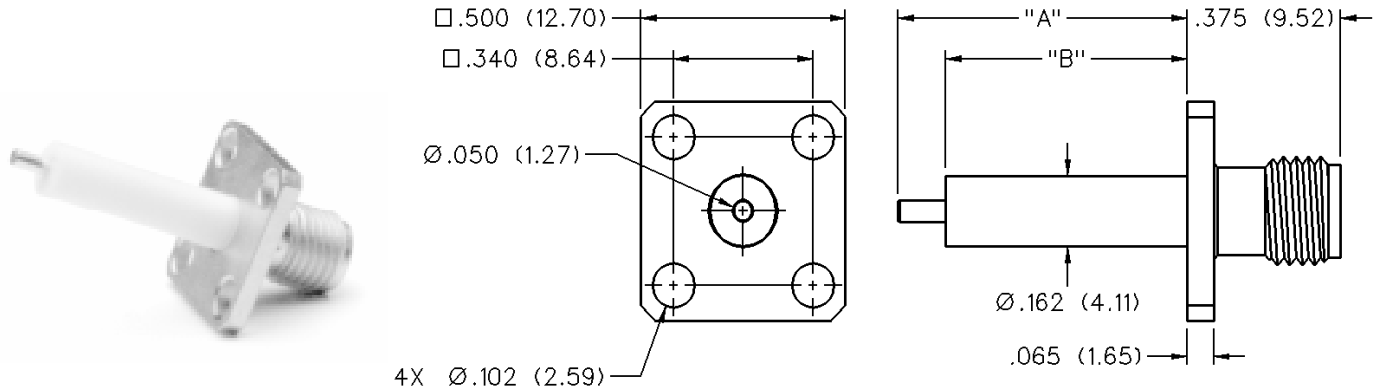
VSWR & FREQ. RANGE	GOLD PLATED	NICKEL PLATED
VSWR: N/A 0-18 GHz	142-0701-631	142-0701-636

2-Hole Flange Mount Jack Receptacle - Extended Dielectric



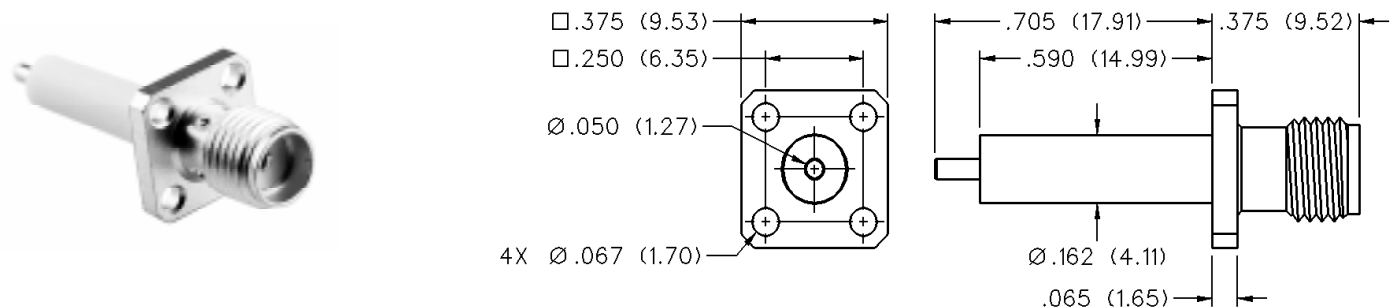
VSWR & FREQ. RANGE	PRODUCT SERIES	GOLD PLATED	NICKEL PLATED	"A"	"B"
VSWR: 1.15 + .02 f (GHz) 0-18 GHz	Brass	142-1701-131	142-1701-136	.705 (17.91)	.590 (14.99)
		142-1701-031	142-1701-036	.240 (6.10)	.180 (4.57)

4-Hole Flange Mount Jack Receptacle - Extended Dielectric



VSWR & FREQ. RANGE	PRODUCT SERIES	GOLD PLATED	NICKEL PLATED	"A"	"B"
VSWR: 1.15 + .02 f (GHz) 0-18 GHz	Brass	142-1701-121	142-1701-126	.705 (17.91)	.590 (14.99)
		142-1701-041	142-1701-046	.190 (4.83)	.095 (2.41)

4-Hole Flange Mount Jack Receptacle - Extended Dielectric



VSWR & FREQ. RANGE	GOLD PLATED	NICKEL PLATED
VSWR: 1.15 + .02 f (GHz) 0-18 GHz	142-1701-011	142-1701-016

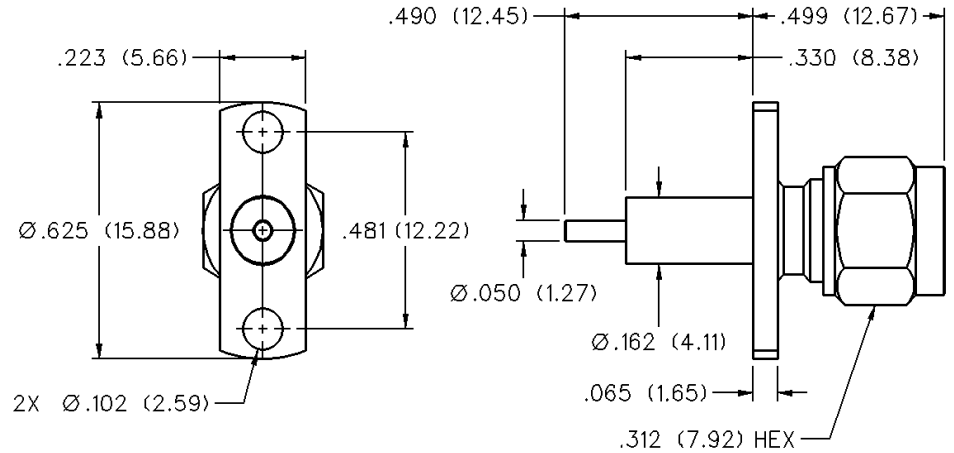
SMA - 50 Ohm Connectors

Panel Mount



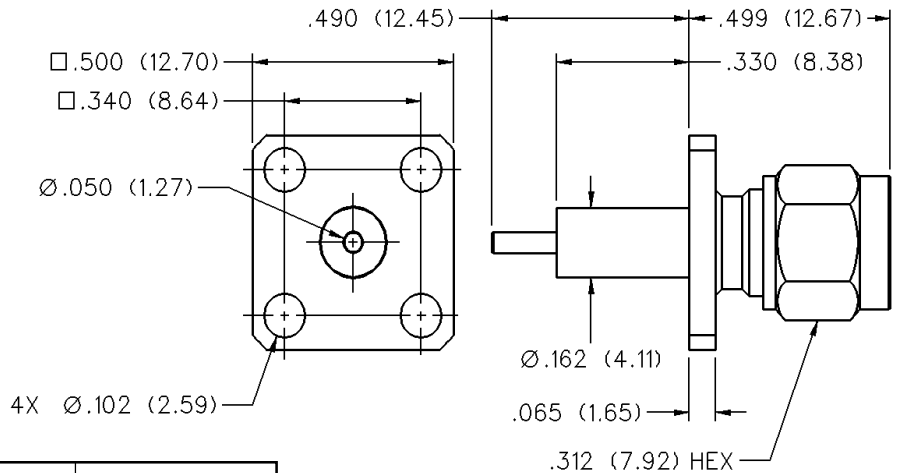
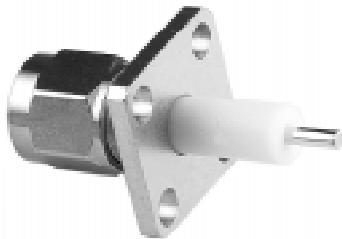
INCHES (MILLIMETERS)
CUSTOMER DRAWINGS AVAILABLE UPON REQUEST

2-Hole Flange Mount Plug Receptacle - Extended Dielectric



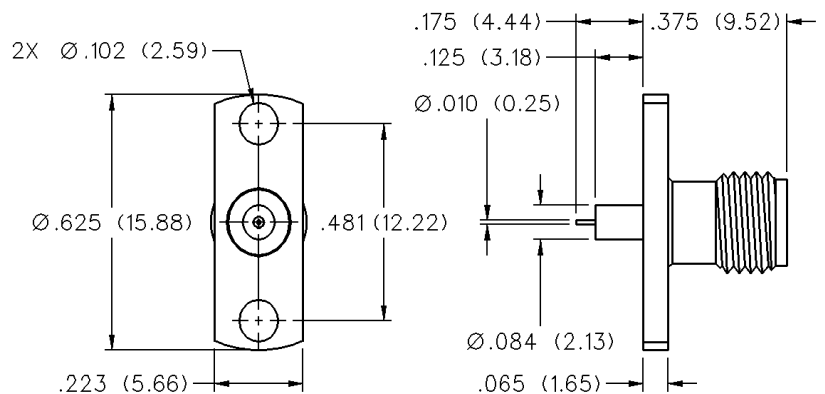
VSWR & FREQ. RANGE	GOLD PLATED	NICKEL PLATED
VSWR: 1.15 + .02 f (GHz) 0-18 GHz	142-1801-041	142-1801-046

4-Hole Flange Mount Plug Receptacle - Extended Dielectric



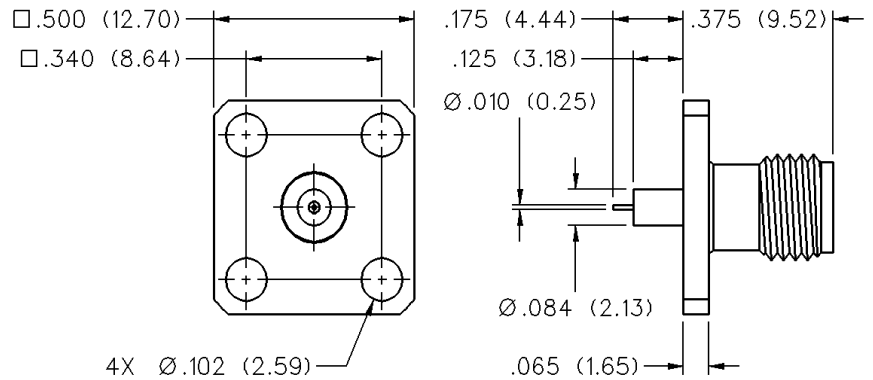
VSWR & FREQ. RANGE	GOLD PLATED	NICKEL PLATED
VSWR: 1.15 + .02 f (GHz) 0-18 GHz	142-1801-031	142-1801-036

2-Hole Flange Mount Jack Receptacle - Extended Dielectric



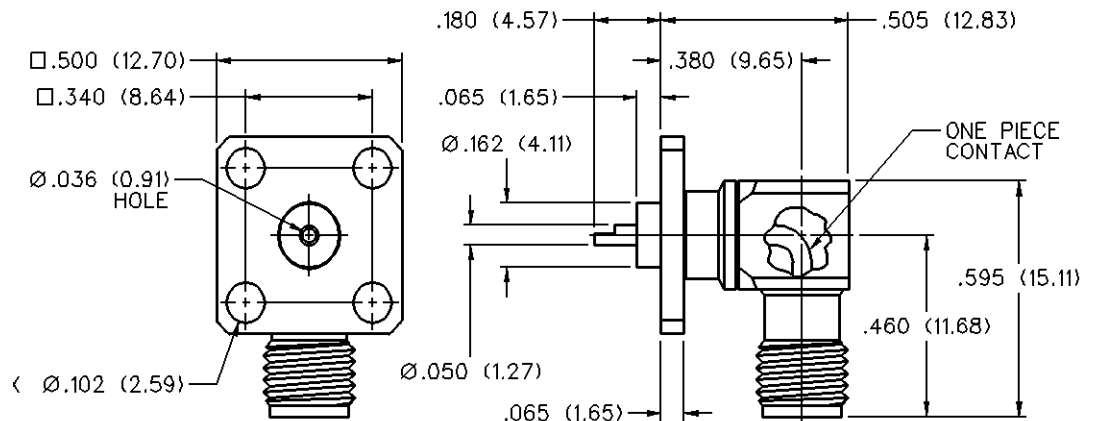
GOLD PLATED	NICKEL PLATED
142-1701-201	142-1701-206

4-Hole Flange Mount Jack Receptacle - Extended Dielectric



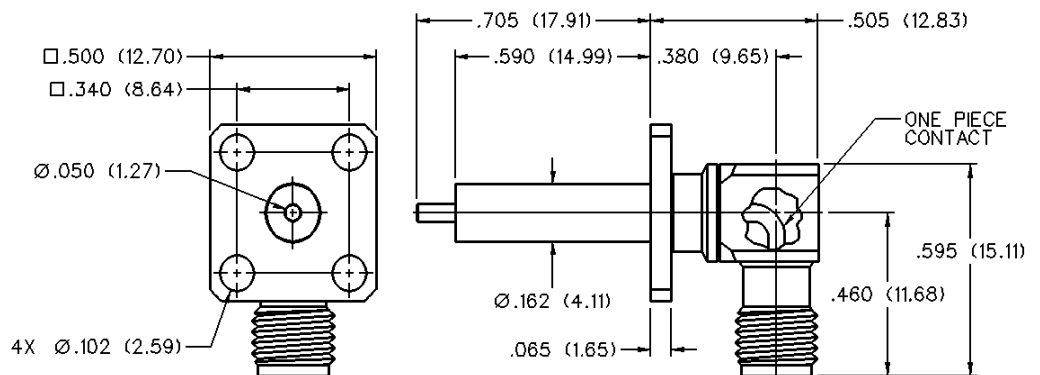
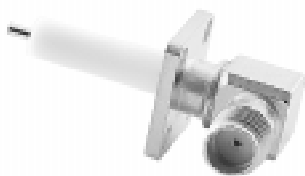
GOLD PLATED	NICKEL PLATED
142-1701-191	142-1701-196

4-Hole Right Angle Flange Mount Jack Receptacle



VSWR & FREQ. RANGE	GOLD PLATED	NICKEL PLATED
VSWR: N/A 0-18 GHz	142-0701-701	142-0701-706

4-Hole RA Flange Mount Jack Receptacle - Extended Dielectric



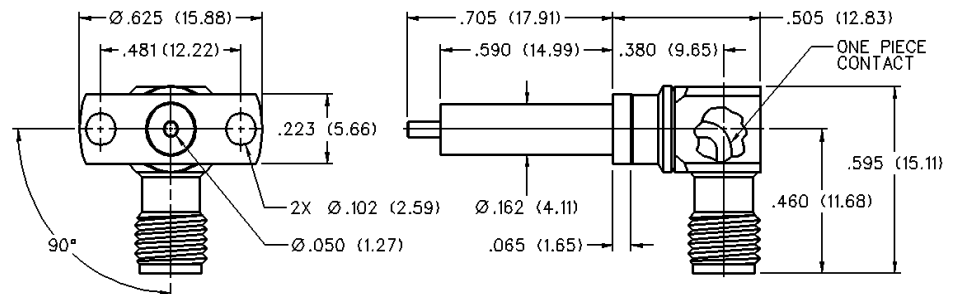
GOLD PLATED	NICKEL PLATED
142-1711-001	142-1711-006

SMA - 50 Ohm Connectors

Panel Mount

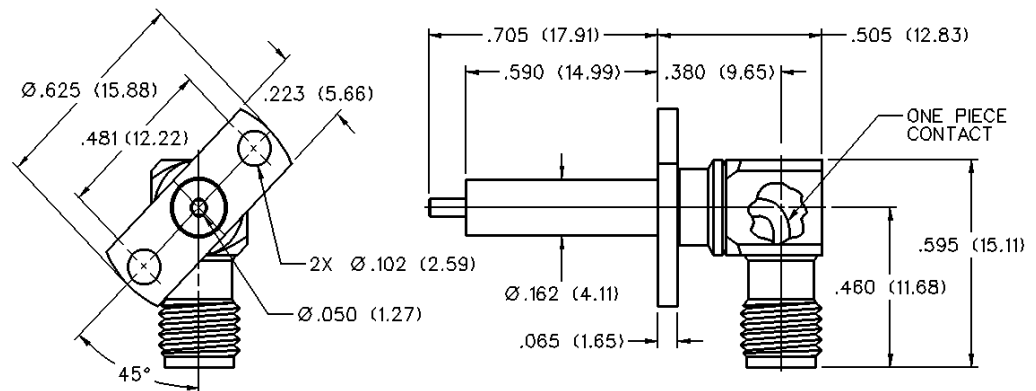
INCHES (MILLIMETERS)
CUSTOMER DRAWINGS AVAILABLE UPON REQUEST

2-Hole RA Flange Mount Jack Receptacle - Extended Dielectric 90° Orientation



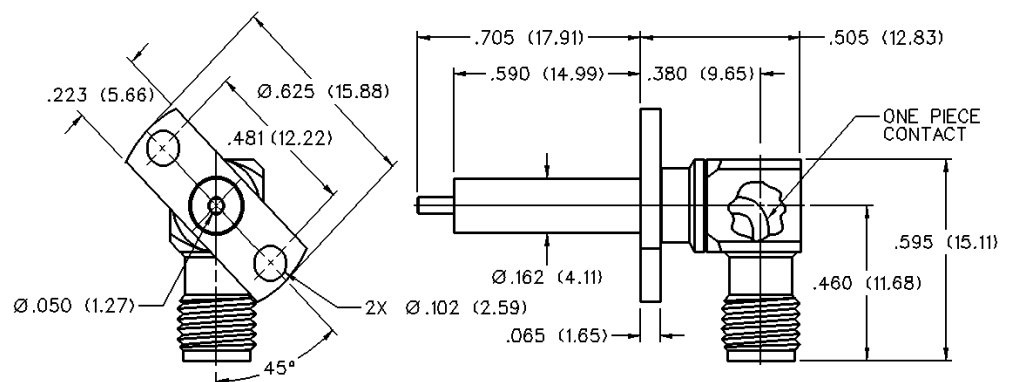
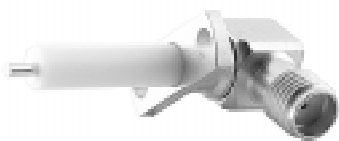
GOLD PLATED	NICKEL PLATED
142-1711-011	142-1711-016

2-Hole RA Flange Mount Jack Receptacle - Extended Dielectric +45° Orientation



GOLD PLATED	NICKEL PLATED
142-1711-021	142-1711-026

2-Hole RA Flange Mount Jack Receptacle - Extended Dielectric -45° Orientation



GOLD PLATED	NICKEL PLATED
142-1711-031	142-1711-036