

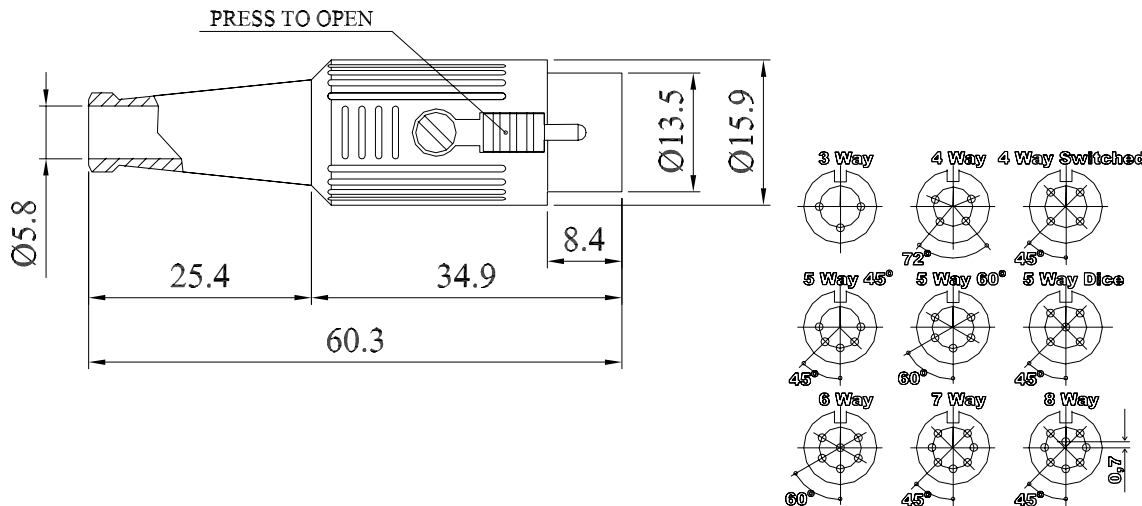
A fully screened robust range of DIN connectors for use in instrumentation and audio applications. Available in two finishes; bright nickel and non-reflective electrically conductive matt black. Robust construction incorporating cable grip and strain relief.

Manufactured to DIN 41524, 45322, 45326, 45327 and 45329.

MATERIALS
HOUSING : Zinc Alloy
 heavy nickel plated
 over copper
MOULDING : Nylon
CONTACTS : Brass
 Silver Plated
CABLE CLAMP : Mild Steel
 zinc plated
GROMMET : Black P.V.C.

ELECTRICAL RATINGS
 Working Voltage 100 Vd.c. or a.c. peak
 Test Voltage 1000 Vd.c.
 Insulation Resist. $10^{11} \Omega$ min at 100 Vd.c.
 Current Rating 4 A
 Contact Resist. 10 m Ω max
 Capacity (mated) 3 pF
 Temp. Range -25°C to +70°C

Dimensions



Type	Deltron No
3 Way	590-0300
4 Way	590-0400
4 Way Switched	590-0410
5 Way 45°	590-0500
5 Way 60°	590-0510
5 Way Dice	590-0520
6 Way	590-0600
7 Way	590-0700
8 Way	590-0800

CONVERTED FROM PS0458 ISS4 (08.07.96) IN JAN 2003

DrgNo 590 SERIES TITLE SCREENED DIN CONNECTOR LOCKABLE PLUG (NICKEL) ALL DIMENSIONS IN MM ANGLES IN DECIMAL DEGREES

	ISSUE 4	GENERAL SPECIFICATION FOR 590 SERIES	CUSTOMER		FILTER REF		Scale: NTS	Sheet 1 / 1
			Aprvd Date 10/02/03	Aprvd By MC	Drwn by BFS			