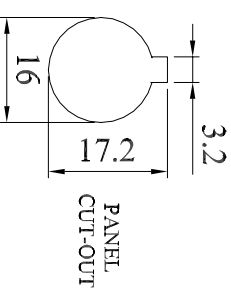
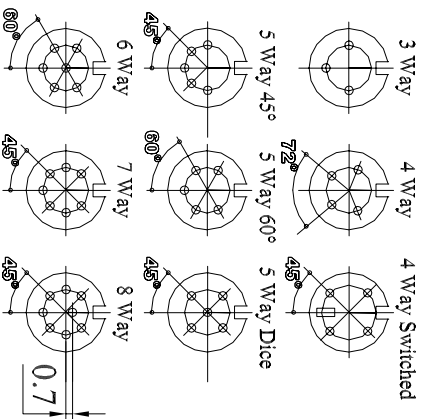
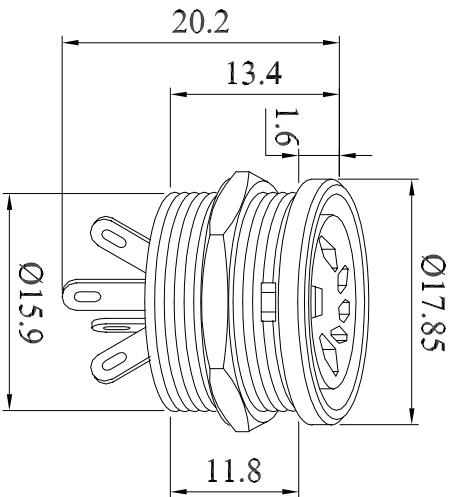


A range of professional chassis mounting sockets, designed for panel mounting via a single hexagonal turned brass nut. These sockets incorporate an anti-rotational locating spigot, and mate with all standard lockable plugs.

Material	Brass, sprayed with black paint
Housing	Noryl SE1
Moulding	Brass, silver plated
Contacts	Brass, nickel plated
Nut	

Dimensions



Type	Deltron No	RS No.
3 Way	651-0300	479-670
4 Way	651-0400	479-686
4 Way Switched	651-0410	
5 Way 45°	651-0500	479-692
5 Way 60°	651-0510	479-709
5 Way Dice	651-0520	479-715
6 Way	651-0600	479-721
7 Way	651-0700	479-737
8 Way	651-0800	479-743

CONVERTED FROM PS0481 ISS3 (19.06.96) IN JAN 2003

Drgn No 651 SERIES

TITLE PROFESSIONAL CIRCULAR CHASSIS SOCKET (BLACK)

ALL DIMENSIONS IN MM
ANGLES IN DECIMAL DEGREES

DELTRON Components

ISS 3

GENERAL SPECIFICATION
FOR 651 SERIES

CUSTOMER

Aprvd Date 27/01/03

Aprvd By MC

FILTER REF

Scale: NTS

Sheet 1 / 1