

## Products

### [Micro Audio Components](#)

#### [Microphones](#)

#### [Receivers](#)

#### [Dynamic Speakers](#)

#### [Magnetic Sounders](#)

##### [NFT Series](#)

##### [MLT-C Series](#)

##### [MLT-CHN Series](#)

##### [MLT-GC Series](#)

##### [MLT-HH Series](#)

##### [MRT Series](#)

##### [MZT Series](#)

##### [NAT Series](#)

##### [NBT Series](#)

##### [QMB-105 Series](#)

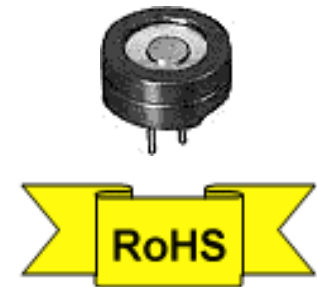
##### [QMB-108 Series](#)

[Homepage](#) > [Products](#) > [Micro Audio Components](#) > [Magnetic Sounders](#) > QMB-105 Series

## Magnetic Sounders **QMB-105 Series**

### **QMB-105P** (EIAJ:MS-CP2-C12-20)

- Ultra thin ( $\phi 12 \times h5.4$ )



### Frequency response

---

QMB-105P

applied voltage: 1.5V,  
square wave, 1/2 duty  
distance for  
measurement: 10cm

[QMB-111 Series](#)

[PMX-06 Series](#)

[PMX-04 Series](#)

[QMX Series](#)

[HGP Series](#)

[RMX Series](#)

[QMB Series](#)

[TMX Series](#)

[TMX-H Series](#)

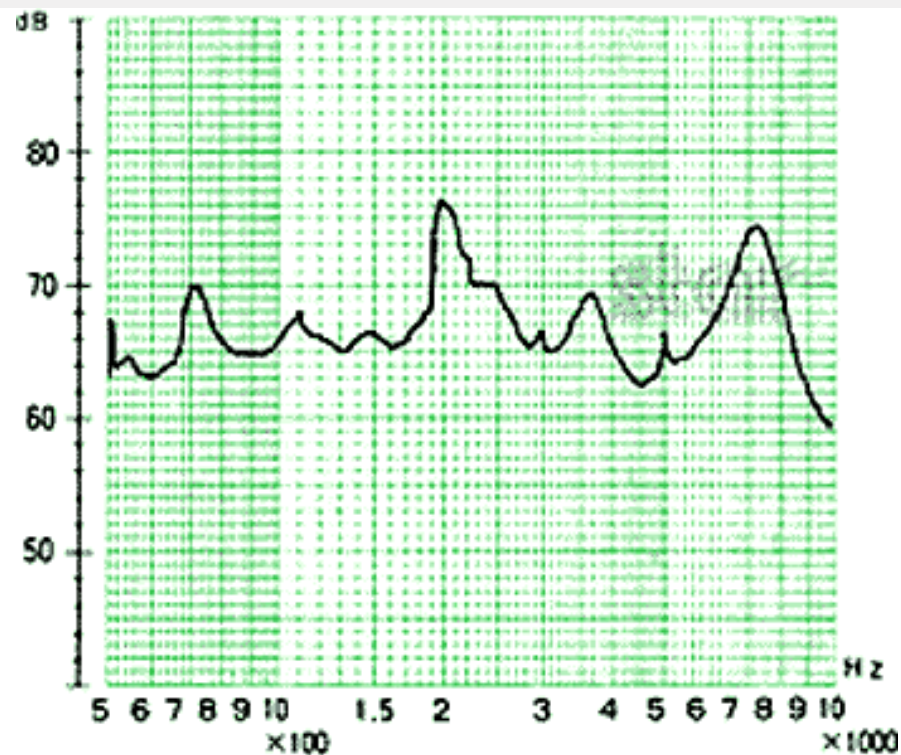
[TMX-F Series](#)

[Patents & Design rights](#)

[Soldering and Washing etc](#)

[Recommend temperature profile for lead-free solder](#)

[Magnetic Buzzers](#)



### Specifications

Type	QMB-105P
Rated Voltage (V)	1.5
*Mean Current Consumption (mA)	MAX10 (TYP9.1)
Coil Resistance ( $\Omega$ )	$50 \pm 7.5$
#Coil Impedance ( $\Omega$ )	140
*Sound Output at 10cm (dB)	MIN70 (TYP77)
Rated Frequency (Hz)	2,048
Operating Voltage (V)	MAX 2
Operating Temperature ( $^{\circ}\text{C}$ )	-20 to +60

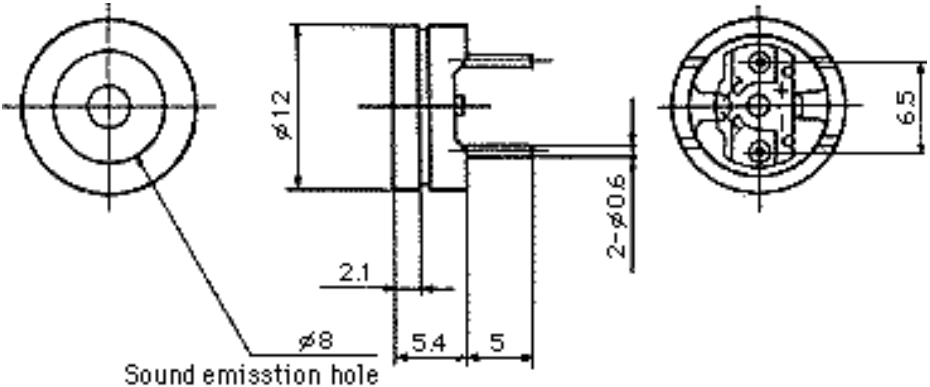
Storage Temperature (°C)	-30 to +70
Weight (g)	2

\*Value applying rated voltage (2,048Hz, 1/2duty, square wave)

#Value applying rated voltage (2,048Hz, sine wave, measuring current 60μA)

Note) Lead wire type is available on request(Standard leangth: 110mm, 60mm)

**Dimensions**



unit: mm  
housing material: PPE-M

[◀ Back to the Micro Audio Components' Top Page](#)

[◀ Homepage](#)

[▲ Top](#)

[Site Policy](#)