

Products

[Micro Audio Components](#)

[Microphones](#)

[Receivers](#)

[Dynamic Speakers](#)

[Magnetic Sounders](#)

[NFT Series](#)

[MLT-C Series](#)

[MLT-CHN Series](#)

[MLT-GC Series](#)

[MLT-HH Series](#)

[MRT Series](#)

[MZT Series](#)

[NAT Series](#)

[NBT Series](#)

[QMB-105 Series](#)

[QMB-108 Series](#)

[Homepage](#) > [Products](#) > [Micro Audio Components](#) > [Magnetic Sounders](#) > PMX-04 Series

Magnetic Sounders **PMX-04 Series**

PMX-04A (EIAJ:MS-RP2-V14-20)

PMX-04B (EIAJ:MS-RP2-V14-27)

PMX-04C (EIAJ:MS-RP2-V14-20)

- Side opening sound emission
- Small and low profile design



Frequency response

PMX-04A

applied voltage: 1.5V,
square wave, 1/2 duty
distance for
measurement: 10cm

[QMB-111 Series](#)

[PMX-06 Series](#)

[PMX-04 Series](#)

[QMX Series](#)

[HGP Series](#)

[RMX Series](#)

[QMB Series](#)

[TMX Series](#)

[TMX-H Series](#)

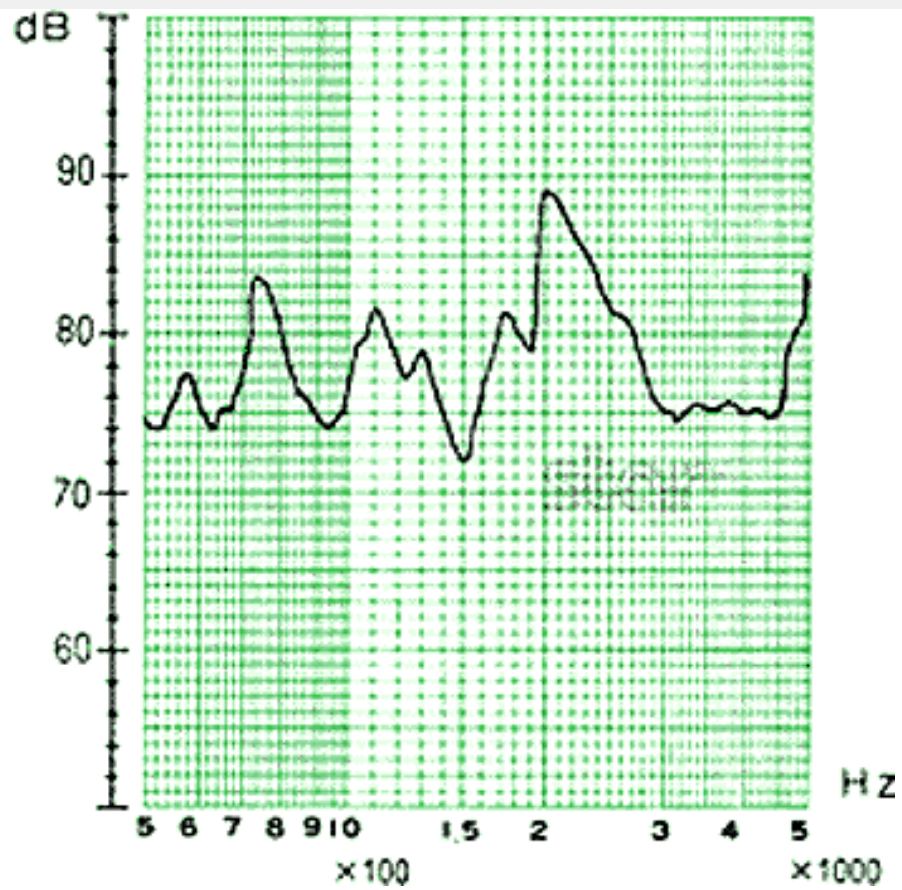
[TMX-F Series](#)

[Patents & Design rights](#)

[Soldering and Washing etc](#)

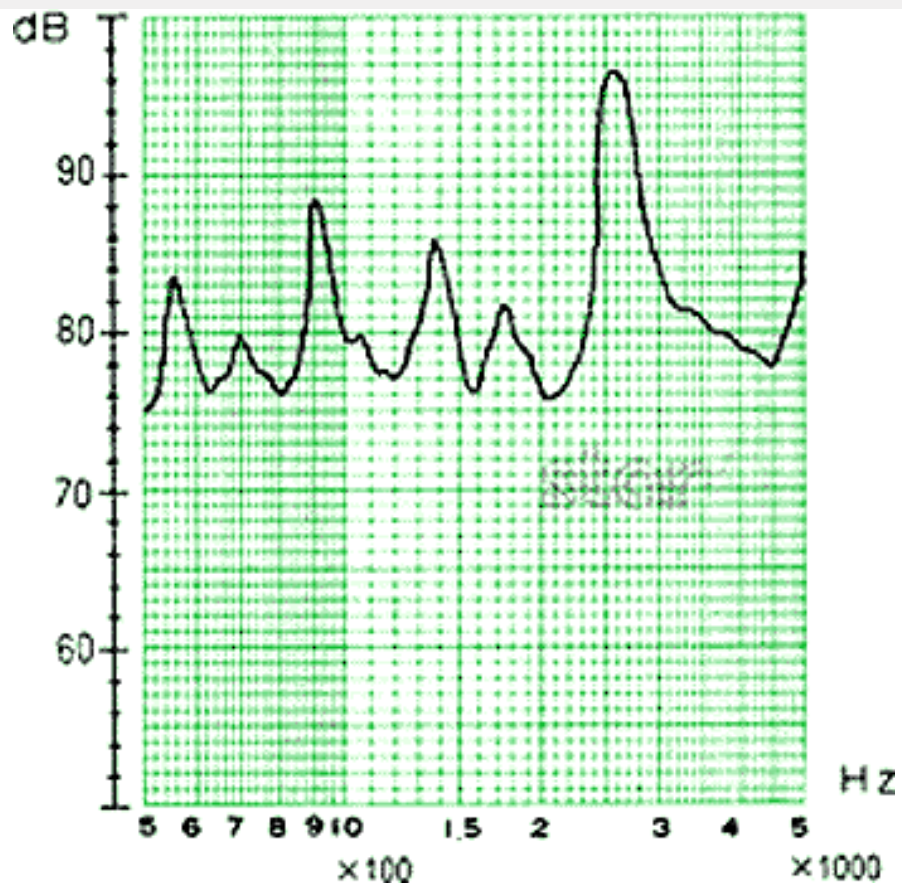
[Recommend temperature profile for lead-free solder](#)

[Magnetic Buzzers](#)



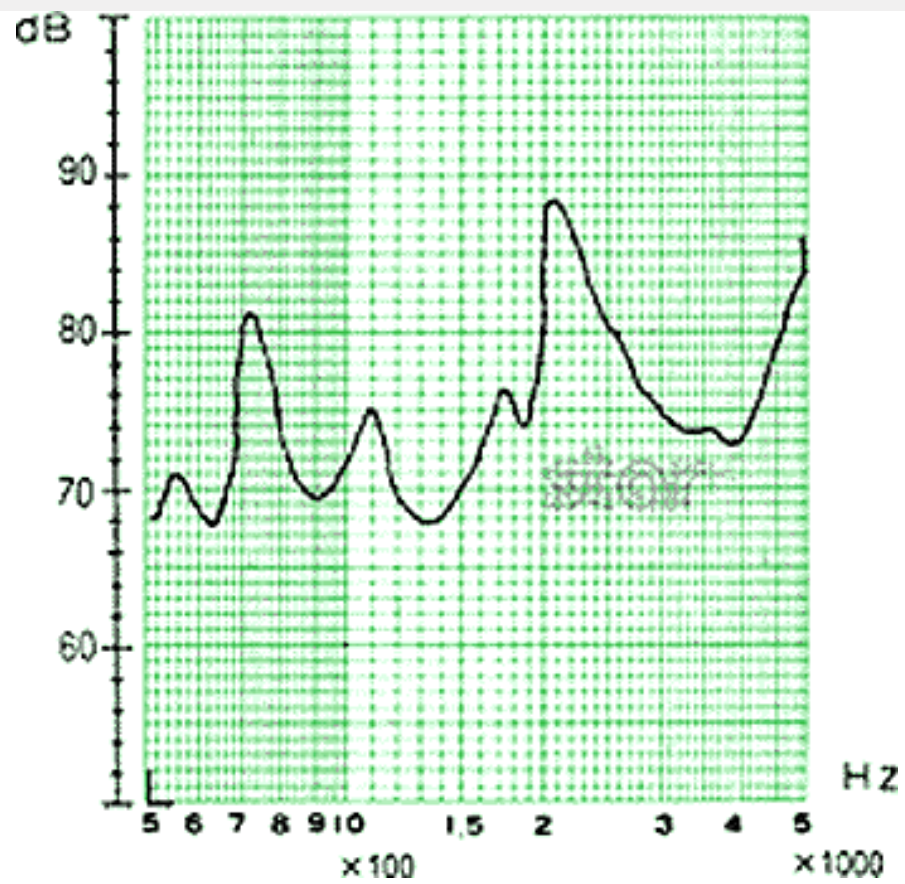
PMX-04B

applied voltage: 1.5V,
square wave, 1/2 duty
distance for
measurement: 10cm



PMX-04C

applied voltage: 1.5V,
square wave, 1/2 duty
distance for
measurement: 10cm



Specifications

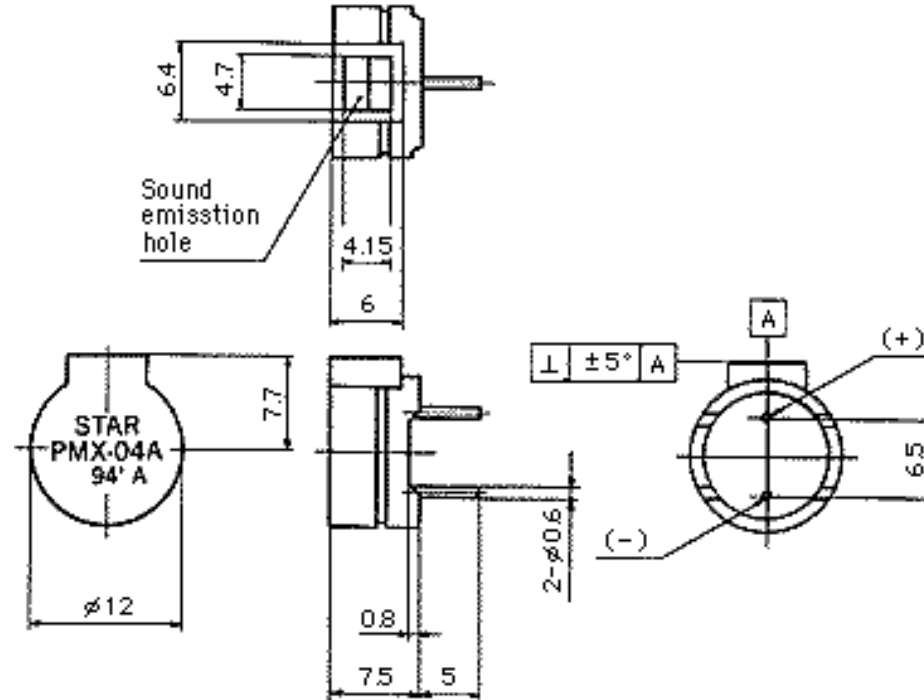
Type	PMX-04A	PMX-04B	PMX-04C
Rated Voltage (V)	1.5	1.5	1.5
*Mean Current Consumption (mA)	MAX70 (TYP57)	MAX70 (TYP51)	MAX10 (TYP9.1)
Coil Resistance (Ω)	6.5 ± 1	6.5 ± 1	50 ± 7.5
#Coil Impedance (Ω)	16	22	140
*Sound Output at 10cm (dB)	MIN80 (TYP86)	MIN85 (TYP92)	MIN70 (TYP78)

Rated Frequency (Hz)	2,048	2,731	2,048
Operating Voltage (V)	MAX 2	MAX 2	MAX 2
Operating Temperature (°C)	-20 to +60	-20 to +60	-20 to +60
Storage Temperature (°C)	-30 to +70	-30 to +70	-30 to +70
Weight (g)	2	2	2

*Value applying rated voltage (Rate Frequency, 1/2duty, square wave)

#Value applying rated voltage (Rate Frequency, sine wave, measuring current 60μA)

Dimensions



unit: mm

housing material: PPE-M

[← Back to the Micro Audio Components' Top Page](#)

