

THIS DRAWING IS UNPUBLISHED. RELEASED FOR PUBLICATION JUNE ,2004.

© COPYRIGHT 2004 BY TYCO ELECTRONICS CORPORATION. ALL RIGHTS RESERVED.

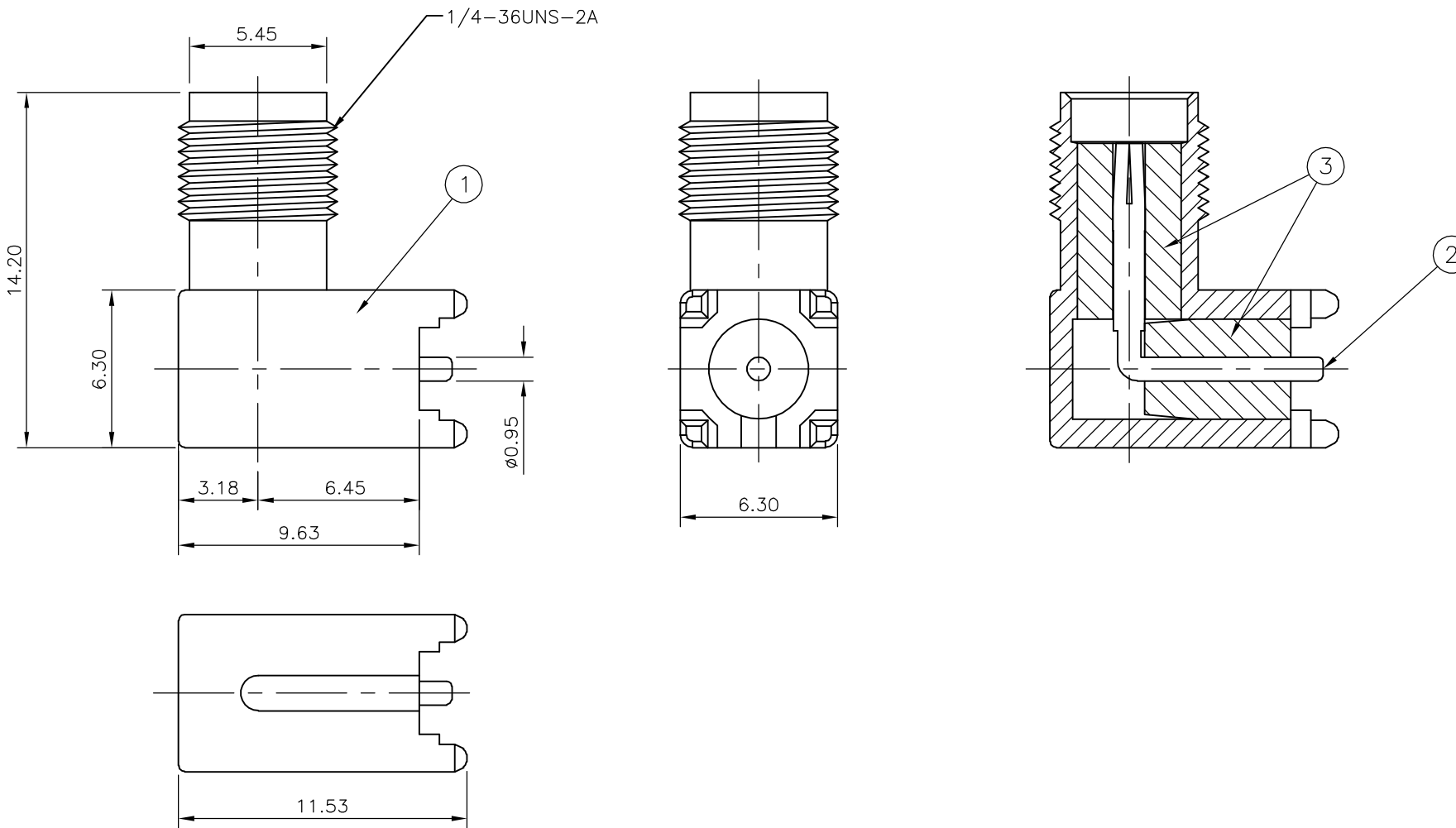
| LOC | DIST | REVISIONS | | | | | |
|-----|------|-----------|-----|--------------|---------|-----|------|
| E | B | P | LTR | DESCRIPTION | DATE | DWN | APVD |
| | | A | | EBD0-0122-04 | 16JUN04 | JMS | FWK |

NOTES

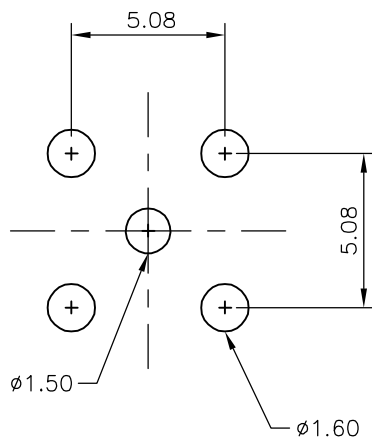
- 1 SINGLE PACK IN ACCORDANCE WITH AMP SPEC 107-3275
- 2 100 TRAY PACK IN ACCORDANCE WITH AMP SPEC 107-3275
- 3 Au PLATING OVER Ni PLATING OVER Cu PLATING
- 4 Au PLATING OVER Cu PLATING
- 5. ELECTRICAL CHARACTERISTICS

| | |
|-------------------------------|---|
| FREQUENCY RANGE: | DC-3GHz |
| NOMINAL IMPEDANCE: | 50 OHMS |
| INSULATION RESISTANCE: | 5000 MOHMS |
| DIELECTRIC WITHSTAND VOLTAGE: | 500V RMS |
| CONTACT RESISTANCE: | CENTRE CONTACT 3 mOHMS OUTER CONTACT 2 mOHMS |
- 5. MECHANICAL CHARACTERISTICS

| | |
|----------------|--------------|
| DURABILITY: | 50 CYCLES |
| TORQUE SETTING | 0.15-0.20 NM |



RECOMMENDED PCB LAYOUT WITH MOUNTING POSTS



| | | | | | | | | | | |
|-------------------|--|--|--|--|--|---|----|------------------|-------------|------------|
| | | | | | | 1 | 1 | PTFE | INSULATOR | 3 |
| | | | | | | 1 | 1 | BERYLLIUM COPPER | CONTACT | 2 |
| | | | | | | 1 | 1 | ZINC ALLOY | BODY | 1 |
| | | | | | | 5 | 15 | MATERIAL | DESCRIPTION | ITEM |
| QUANTITY PER ASSY | | | | | | | | | | PARTS LIST |

| | | | | | | | | | | | | | | | | |
|--|-----|-----------------------------------|--|--------------------|-----|-------|-----|-------|-----|-------|-----|--------|-----|-------------------|---|--|
| THIS DRAWING IS A CONTROLLED DOCUMENT. | | DWN J.SANDWELL 16JUN04 | Tyco Electronics Corporation Bideford, UK, EX39 4HE | | | | | | | | | | | | | |
| DIMENSIONS: mm | | CHK S.PARLOW 16JUN04 | | | | | | | | | | | | | | |
| TOLERANCES UNLESS OTHERWISE SPECIFIED: | | APVD F.WHEELER-KING 16JUN04 | NAME SMA RIGHT ANGLE PCB SOCKET DIE CAST | | | | | | | | | | | | | |
| <table border="0"> <tr><td>0 PLC</td><td>± -</td></tr> <tr><td>1 PLC</td><td>± -</td></tr> <tr><td>2 PLC</td><td>± -</td></tr> <tr><td>3 PLC</td><td>± -</td></tr> <tr><td>4 PLC</td><td>± -</td></tr> <tr><td>ANGLES</td><td>± -</td></tr> </table> | | 0 PLC | ± - | 1 PLC | ± - | 2 PLC | ± - | 3 PLC | ± - | 4 PLC | ± - | ANGLES | ± - | PRODUCT SPEC - | - | |
| 0 PLC | ± - | | | | | | | | | | | | | | | |
| 1 PLC | ± - | | | | | | | | | | | | | | | |
| 2 PLC | ± - | | | | | | | | | | | | | | | |
| 3 PLC | ± - | | | | | | | | | | | | | | | |
| 4 PLC | ± - | | | | | | | | | | | | | | | |
| ANGLES | ± - | | | | | | | | | | | | | | | |
| MATERIAL SEE TABLE | | FINISH - | APPLICATION SPEC - | RESTRICTED TO - | | | | | | | | | | | | |
| | | WEIGHT - | SIZE A3 | CAGE CODE 00779 | | | | | | | | | | | | |
| | | | DRAWING NO C-1814400 | | | | | | | | | | | | | |
| | | CUSTOMER DRAWING | | SCALE NTS | | | | | | | | | | | | |
| | | SHEET 1 OF 1 | | REV A | | | | | | | | | | | | |