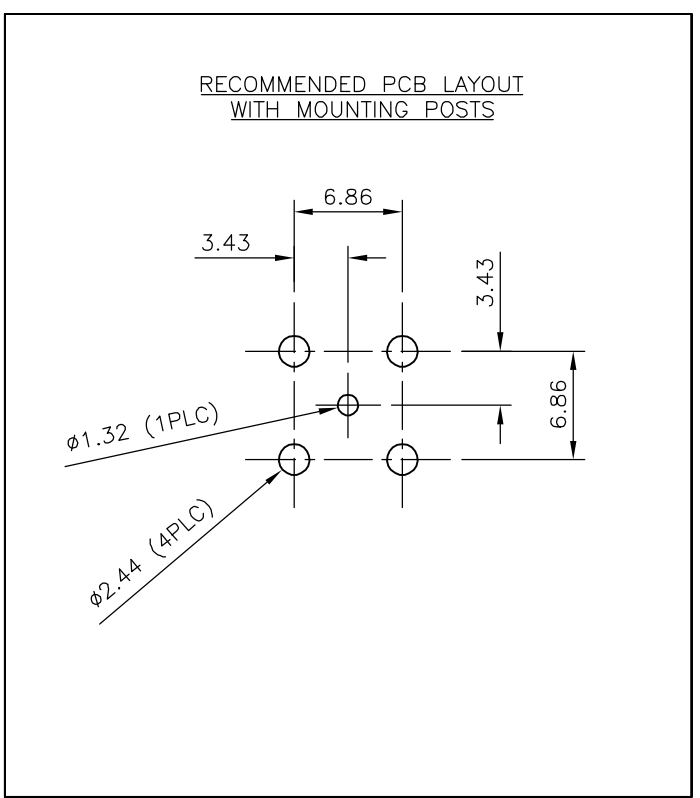
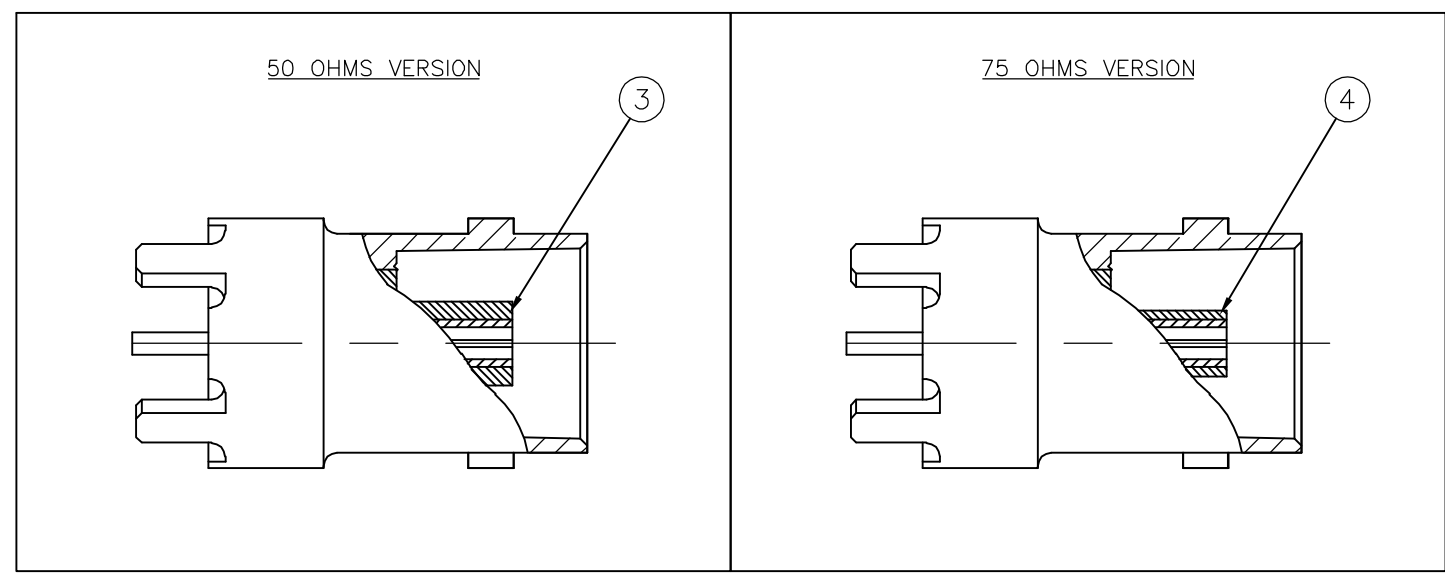
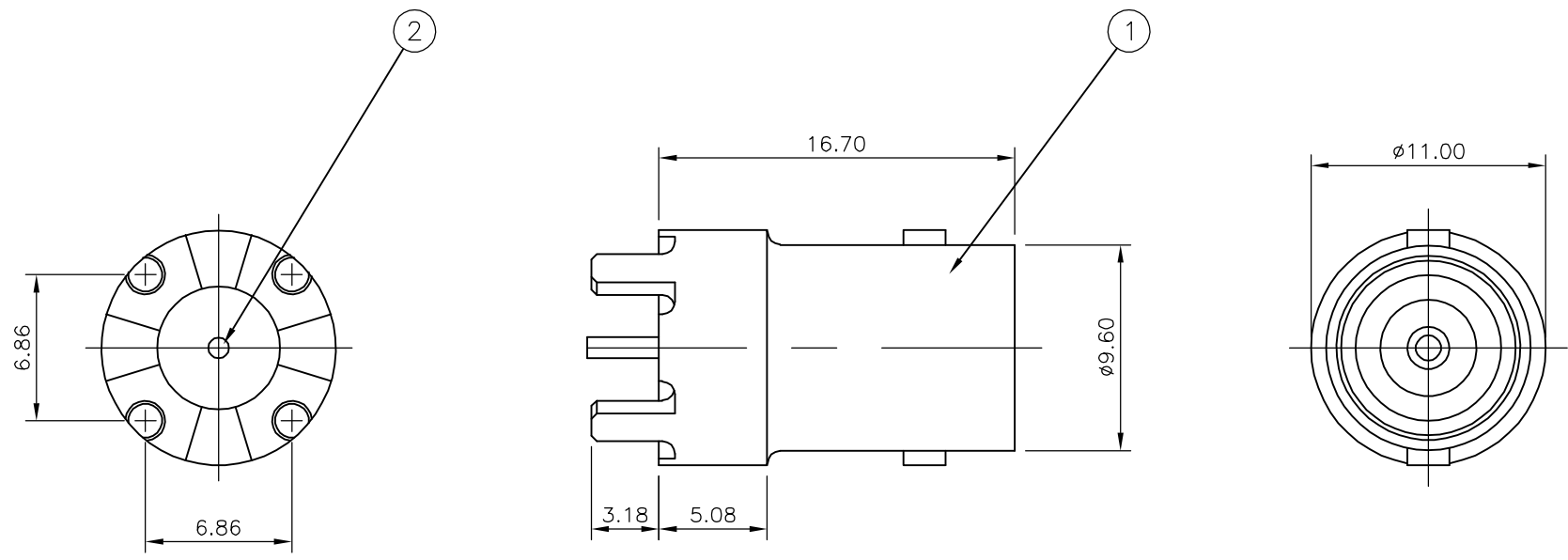


THIS DRAWING IS UNPUBLISHED. RELEASED FOR PUBLICATION OCT , 2005.  
 © COPYRIGHT 2005 BY TYCO ELECTRONICS CORPORATION. ALL RIGHTS RESERVED.

| LOC | DIST | REVISIONS |     |             |         |     |      |
|-----|------|-----------|-----|-------------|---------|-----|------|
| E   | B    | P         | LTR | DESCRIPTION | DATE    | DWN | APVD |
|     |      | A         |     | FIRST ISSUE | 10OCT05 | JMS | FWK  |

- NOTES**
- ① 100 TRAY PACK IN ACCORDANCE WITH AMP SPEC 107-3275
  - ② SINGLE PACK IN ACCORDANCE WITH AMP SPEC 107-3275
  - ③ Au PLATING
  - ④ Ni PLATING
5. **CHARACTERISTICS**  
 FREQUENCY RANGE (50 OHMS): DC-4GHz  
 FREQUENCY RANGE (75 OHMS): DC-2GHz  
 INSULATION RESISTANCE: 5000 MOHMS  
 WORKING VOLTAGE: 500V  
 DIELECTRIC WITHSTAND VOLTAGE: 1500V RMS  
 TEMPERATURE RATE: -55°C TO +85°C  
 CONTACT RESISTANCE: 3 mOHMS
6. **MECHANICAL CHARACTERISTICS**  
 DURABILITY: 50 CYCLES



| QTY | 1    | 1    | -    | -    | TPX         | INSULATOR   | 4    |
|-----|------|------|------|------|-------------|-------------|------|
|     | -    | -    | 1    | 1    | TPX         | INSULATOR   | 3    |
|     | 1    | 1    | 1    | 1    | PHOS BRONZE | ③ CONTACT   | 2    |
|     | 1    | 1    | 1    | 1    | ZINC ALLOY  | ④ BODY      | 1    |
|     | 5--3 | 5--2 | 5--1 | 5--0 | MATERIAL    | DESCRIPTION | ITEM |
|     | ①    | ②    | ③    | ④    |             |             |      |

QUANTITY PER ASSY PARTS LIST

THIS DRAWING IS A CONTROLLED DOCUMENT.

DWN J.SANDWELL 10OCT05  
 CHK S.PARLOW 10OCT05  
 APVD F.WHEELER-KING 10OCT05

**tyco Electronics** Tyco Electronics Corporation  
 Bideford, UK, EX39 4HE

NAME: BNC STRAIGHT PCB SOCKET

SIZE: A3 CAGE CODE: 00779 DRAWING NO: C-1634506 RESTRICTED TO: -

SCALE: NTS SHEET: 1 OF 1 REV: A

CUSTOMER DRAWING