

THIS DRAWING IS UNPUBLISHED. RELEASED FOR PUBLICATION MAR ,2006.

© COPYRIGHT 2006 BY TYCO ELECTRONICS CORPORATION. ALL RIGHTS RESERVED.

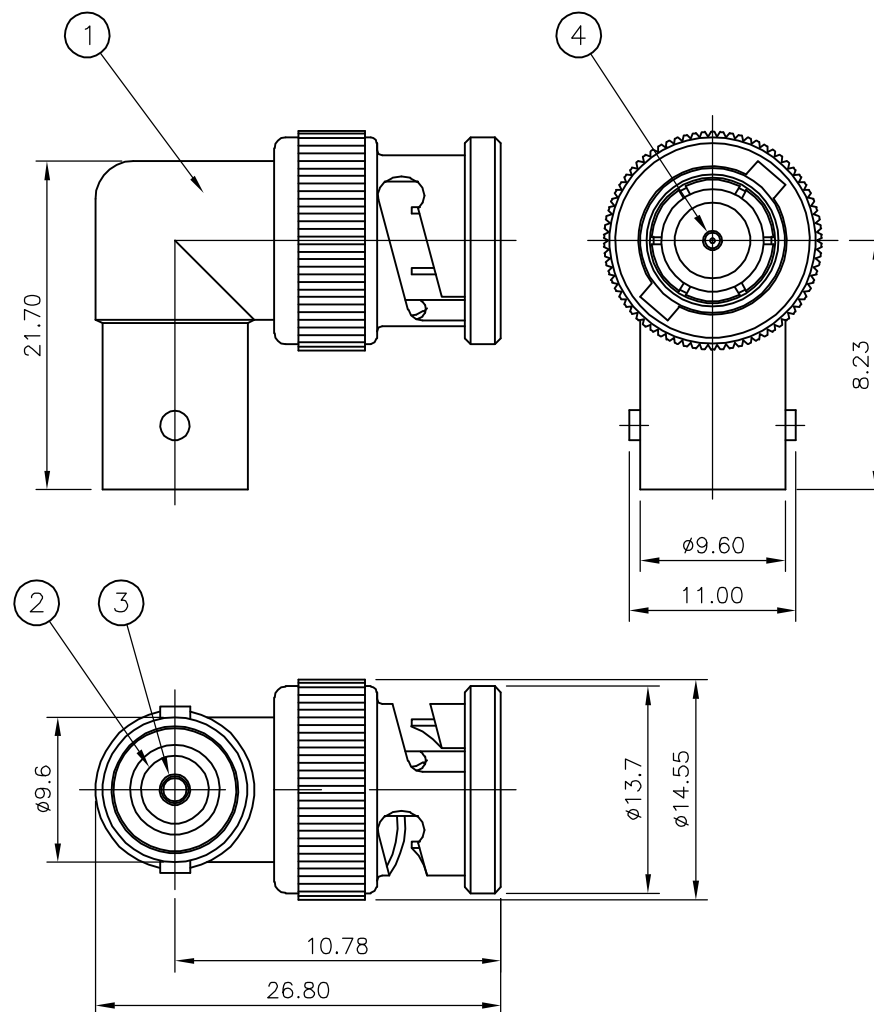
LOC	DIST	REVISIONS					
E	B	P	LTR	DESCRIPTION	DATE	DWN	APVD
		A		FIRST ISSUE	20MAR06	JMS	FWK

NOTES

- 1 100 TRAY PACK IN ACCORDANCE WITH AMP SPEC 107-3275
- 2 SINGLE PACK IN ACCORDANCE WITH AMP SPEC 107-3275
- 3 Au PLATING
- 4 Ni PLATING
- 5. CHARACTERISTICS

FREQUENCY RANGE:	DC-4GHz
INSULATION RESISTANCE:	5000 MOHMS
WORKING VOLTAGE:	500V
DIELECTRIC WITHSTAND VOLTAGE:	1500V RMS
TEMPERATURE RATE:	-55°C TO +85°C
CONTACT RESISTANCE:	3 mOHMS
- 6. MECHANICAL CHARACTERISTICS

DURABILITY:	50 CYCLES
-------------	-----------
- 7. FOR TECHNICAL DATA REFER TO YOUR LOCAL TYCO ELECTRONICS SALES OFFICE
- 8. ALL DIMENSIONS ARE NOMINAL FOR REFERENCE ONLY UNLESS OTHERWISE STATED



QTY	QTY	MATERIAL	DESCRIPTION	ITEM
1	1	PHOS BRONZE 3	MALE CONTACT	4
1	1	PHOS BRONZE 3	FEMALE CONTACT	3
1	1	POLYMETHYLPENTENE	INSULATOR	2
1	1	ZINC ALLOY 4	BODY	1
5--1	5--0			
QUANTITY PER ASSY				PARTS LIST

THIS DRAWING IS A CONTROLLED DOCUMENT.		DWN J.SANDWELL 20MAR06		Tyco Electronics Corporation Bideford, UK, EX39 4HE													
DIMENSIONS: mm		CHK S.PARLOW 20MAR06															
TOLERANCES UNLESS OTHERWISE SPECIFIED:		APVD F.WHEELER-KING 20MAR06		NAME													
<table border="0"> <tr><td>0 PLC</td><td>± -</td></tr> <tr><td>1 PLC</td><td>± -</td></tr> <tr><td>2 PLC</td><td>± -</td></tr> <tr><td>3 PLC</td><td>± -</td></tr> <tr><td>4 PLC</td><td>± -</td></tr> <tr><td>ANGLES</td><td>± -</td></tr> </table>		0 PLC	± -	1 PLC	± -	2 PLC	± -	3 PLC	± -	4 PLC	± -	ANGLES	± -	PRODUCT SPEC		BNC ELBOW ADAPTOR PLUG - JACK	
0 PLC	± -																
1 PLC	± -																
2 PLC	± -																
3 PLC	± -																
4 PLC	± -																
ANGLES	± -																
MATERIAL SEE TABLE		FINISH -		50 OHMS													
		APPLICATION SPEC		SIZE CAGE CODE DRAWING NO RESTRICTED TO													
		WEIGHT -		A3 00779 C-1634526													
CUSTOMER DRAWING				SCALE NTS SHEET 1 OF 1 REV A													