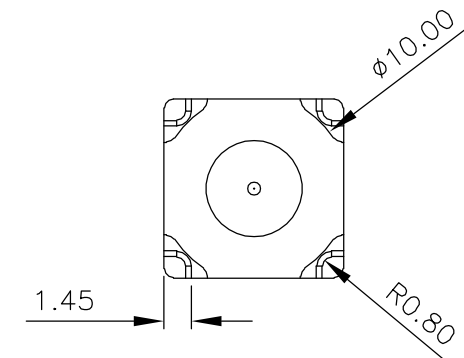
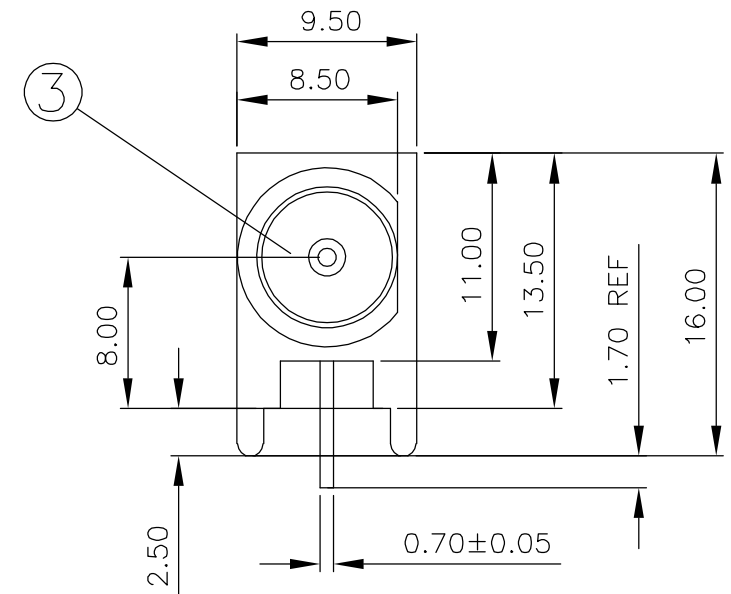
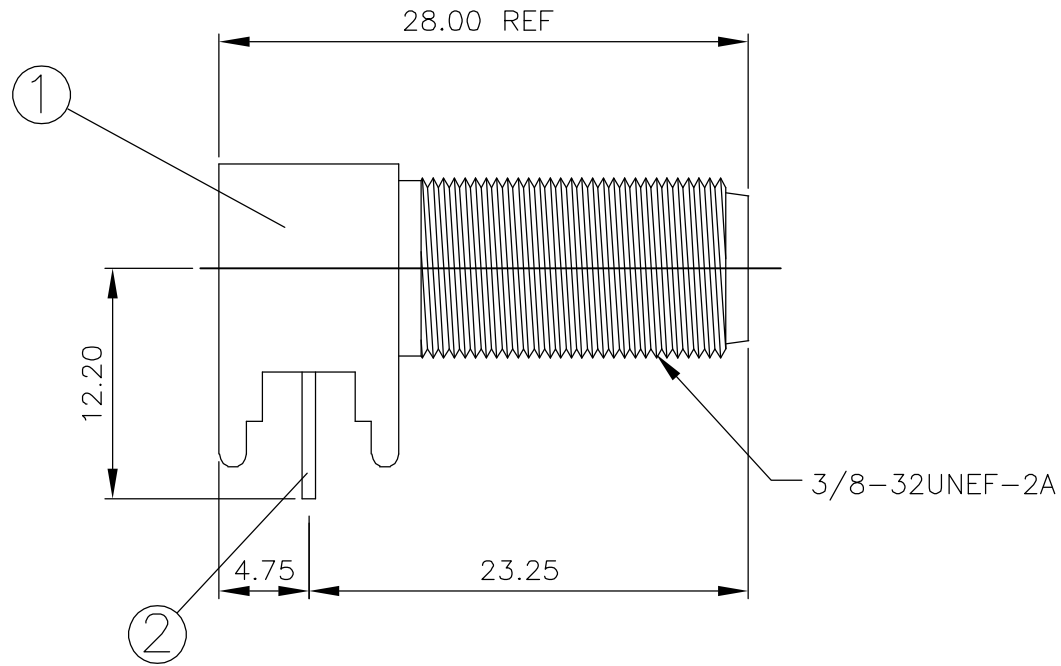


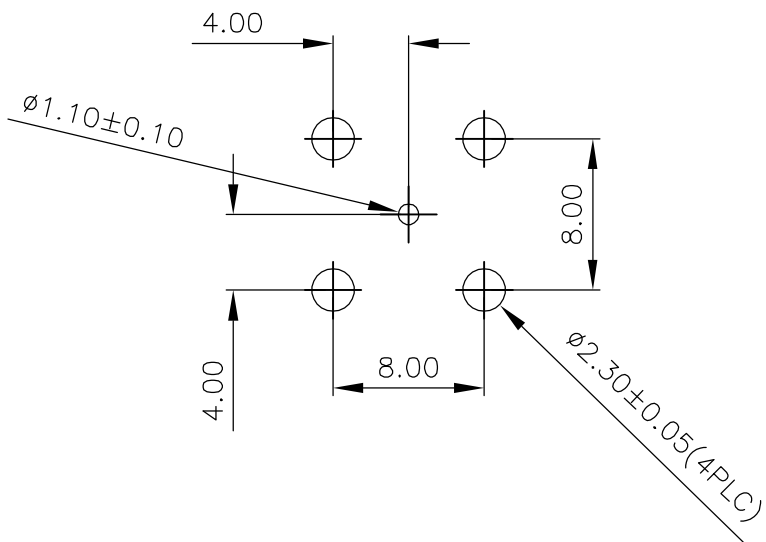
LOC	DIST	REVISIONS					
E	B	P	LTR	DESCRIPTION	DATE	DWN	APVD
		A		EBD0-0122-04	04MAR04	JMS	FWK

NOTES

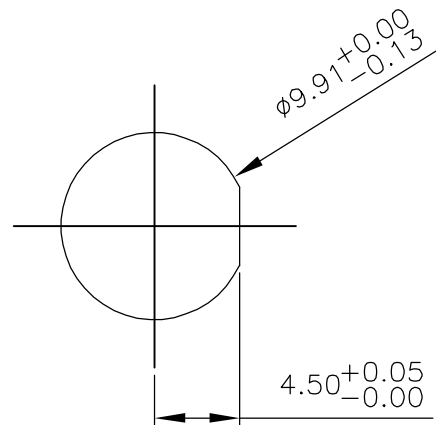
- ① 100 TRAY PACK IN ACCORDANCE WITH AMP SPEC 107-3275
- ② SINGLE PACK IN ACCORDANCE WITH AMP SPEC 107-3275
- ③ 1.27µm TIN PLATING OVER 0.76µm Cu PLATING
- ④ 1.27µm Ni PLATING OVER 0.76µm Cu PLATING



RECOMMENDED PCB LAYOUT WITH MOUNTING POSTS



RECOMMENDED MOUNTING HOLE



						1	1	POLYETHYLENE	INSULATOR	3
						1	1	PHOS BRONZE	③ CONTACT	2
						1	1	ZINC ALLOY	④ BODY	1
						5--1	5--0	MATERIAL	DESCRIPTION	ITEM
						②	①			
QUANTITY PER ASSY							PARTS LIST			

THIS DRAWING IS A CONTROLLED DOCUMENT.		DWN	J.SANDWELL	04MAR04	<b>tyco</b> Electronics		Tyco Electronics Corporation	
DIMENSIONS: MM		CHK	S.PARLOW	04MAR04			Bideford, UK, EX39 4HE	
TOLERANCES UNLESS OTHERWISE SPECIFIED:		APVD	F.WHEELER-KING	04MAR04	NAME		F SERIES CONNECTOR ELBOW JACK PCB	
0 PLC ± -		PRODUCT SPEC		-		-		
1 PLC ± -		APPLICATION SPEC		-		-		
2 PLC ± -		SIZE	A3	CAGE CODE	00779	DRAWING NO	C-1634540	RESTRICTED TO
3 PLC ± -		WEIGHT		-		-		
4 PLC ± -		CUSTOMER DRAWING		SCALE		SHEET 1 OF 1		REV A
ANGLES ± -								
FINISH								
MATERIAL								