

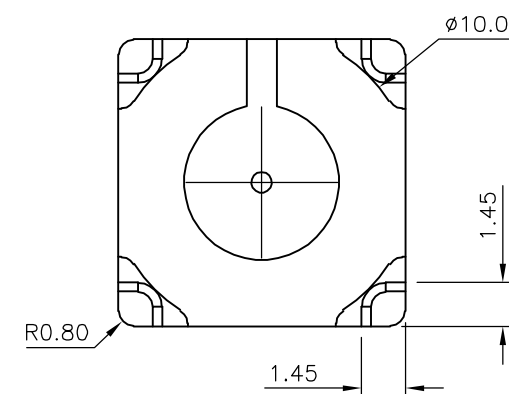
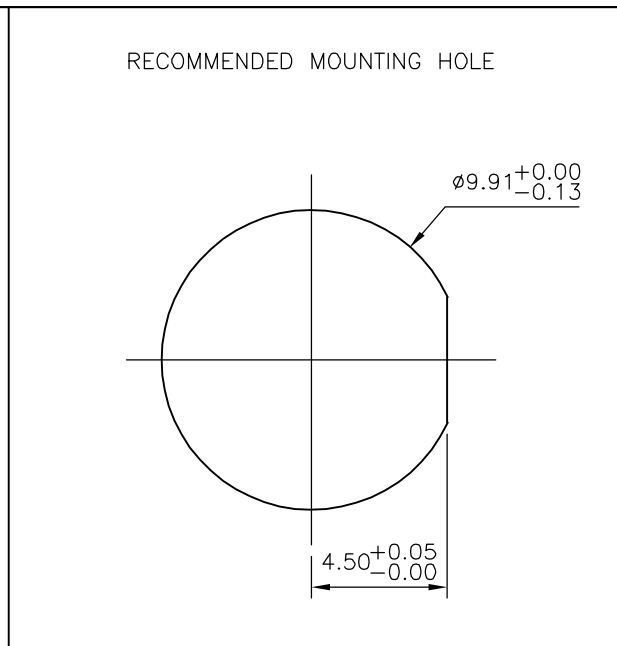
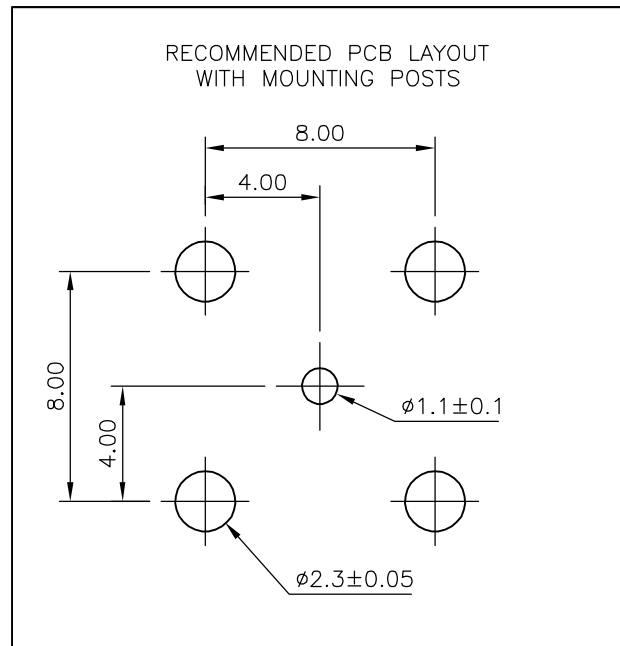
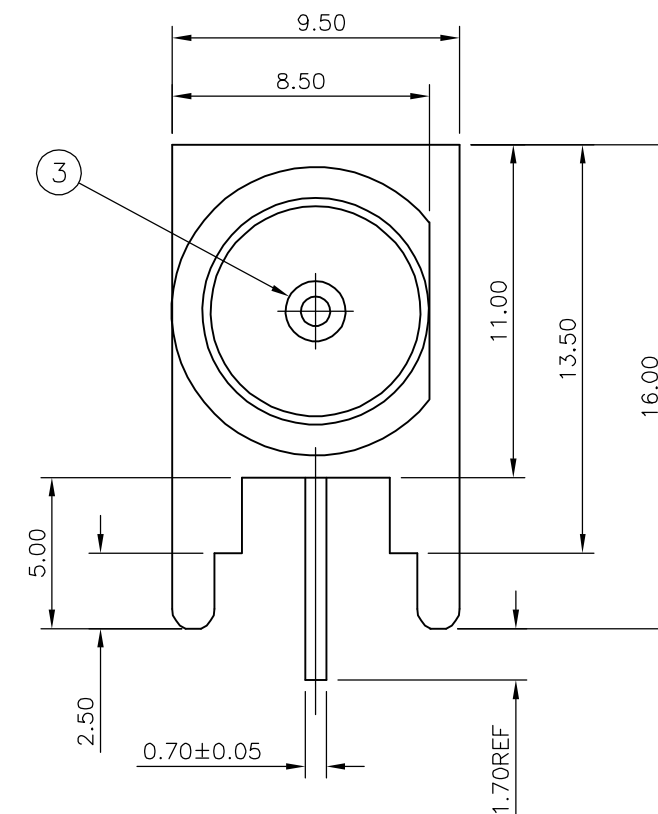
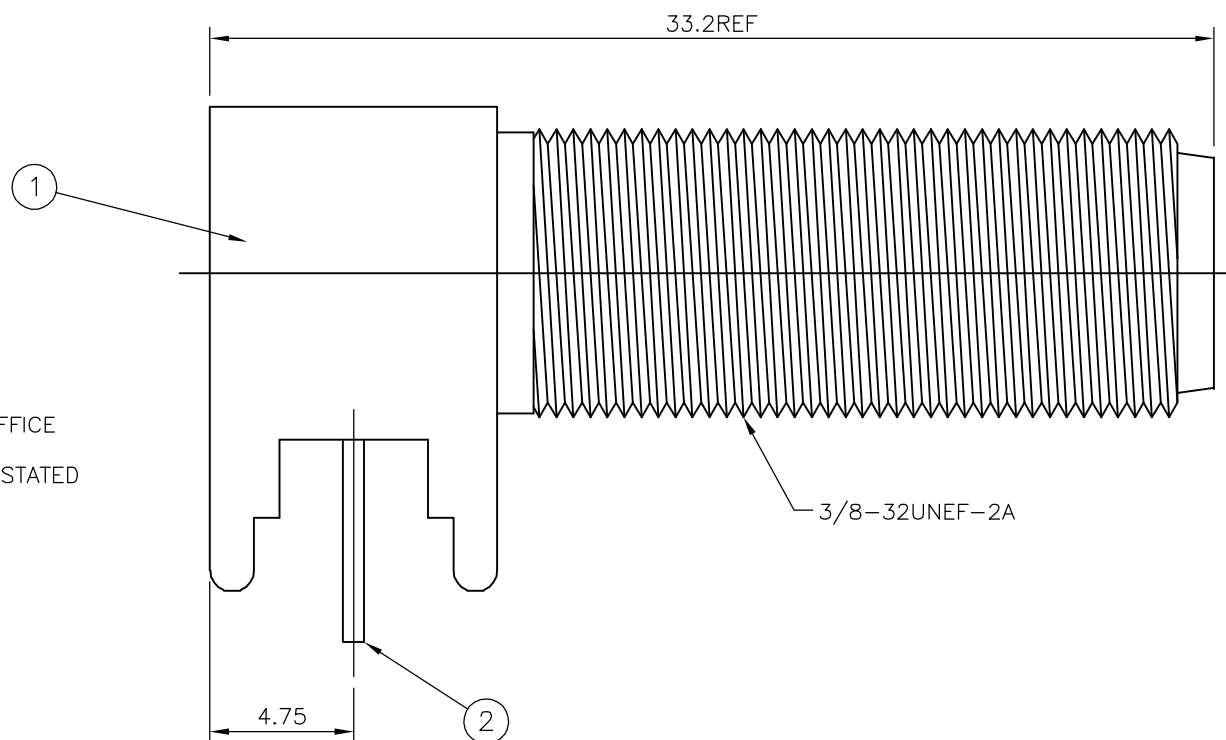
LOC	DIST	REVISIONS					
E	B	P	LTR	DESCRIPTION	DATE	DWN	APVD
		B		EBD0-0381-04	22SEP04	JMS	FWK

NOTES

- ① 100 TRAY PACK IN ACCORDANCE WITH AMP SPEC 107-3275
- ② SINGLE PACK IN ACCORDANCE WITH AMP SPEC 107-3275
- ③ 1.27µm TIN PLATING OVER 0.76µm Cu PLATING
- ④ 1.27µm Ni PLATING OVER 0.76µm Cu PLATING
- 5. CHARACTERISTICS

FREQUENCY RANGE:	DC-2GHz
NOMINAL IMPEDANCE:	75 OHMS
DIELECTRIC WITHSTAND VOLTAGE:	500V RMS
VSWR	1.30:1 @ 2GHz
TEMPERATURE RANGE	-55°C TO +85°C
- 6. MECHANICAL CHARACTERISTICS

DURABILITY:	50 CYCLES
-------------	-----------
- 7. FOR TECHNICAL DATA REFER TO YOUR LOCAL TYCO ELECTRONICS SALES OFFICE
- 8. ALL DIMENSIONS ARE NOMINAL FOR REFERENCE ONLY UNLESS OTHERWISE STATED



QTY	UNIT	MATERIAL	DESCRIPTION	ITEM
1	1	POLYETHYLENE	INSULATOR	3
1	1	PHOS BRONZE	CONTACT	2
1	1	ZINC ALLOY	BODY	1
5--1	5--0			

THIS DRAWING IS A CONTROLLED DOCUMENT.

DWN J.SANDWELL 04MAR04	 Tyco Electronics Corporation Bideford, UK, EX39 4HE					
CHK S.PARLOW 04MAR04						
APVD F.WHEELER-KING 04MAR04						
PRODUCT SPEC						
APPLICATION SPEC	NAME F SERIES CONNECTOR ELBOW JACK PCB EXTENDED					
WEIGHT -	SIZE A3	CAGE CODE 00779	DRAWING NO C-1634552	RESTRICTED TO -		
MATERIAL SEE TABLE	FINISH SEE TABLE	CUSTOMER DRAWING		SCALE NTS	SHEET 1 OF 1	REV B