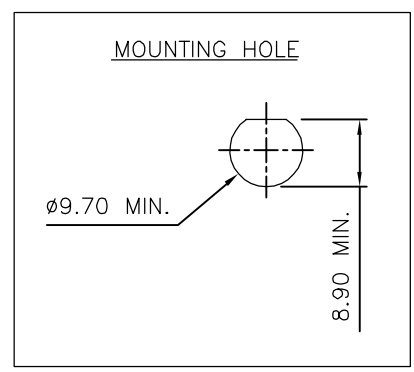
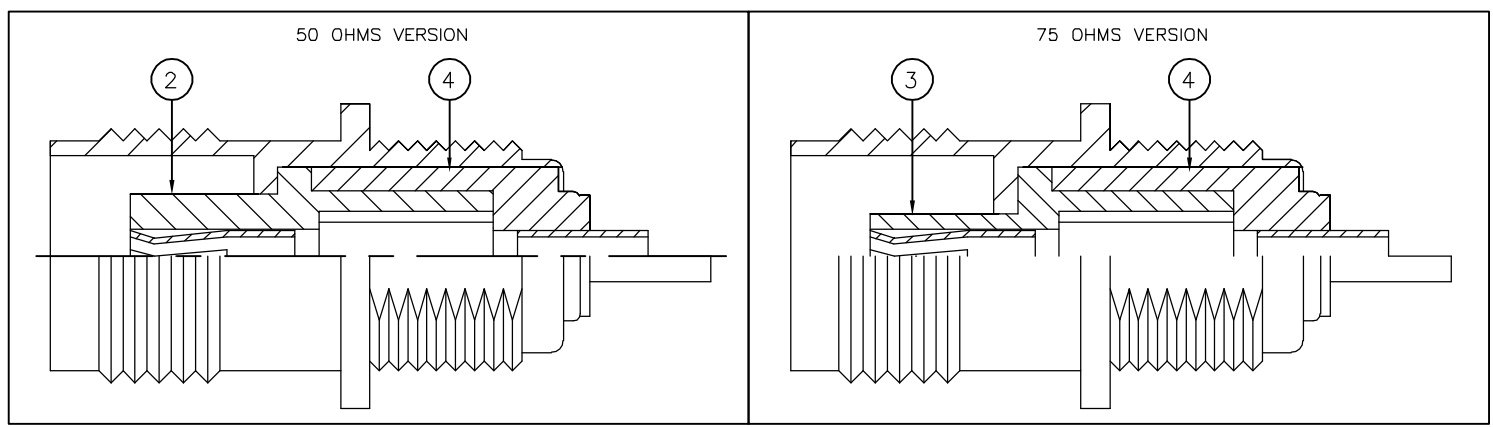
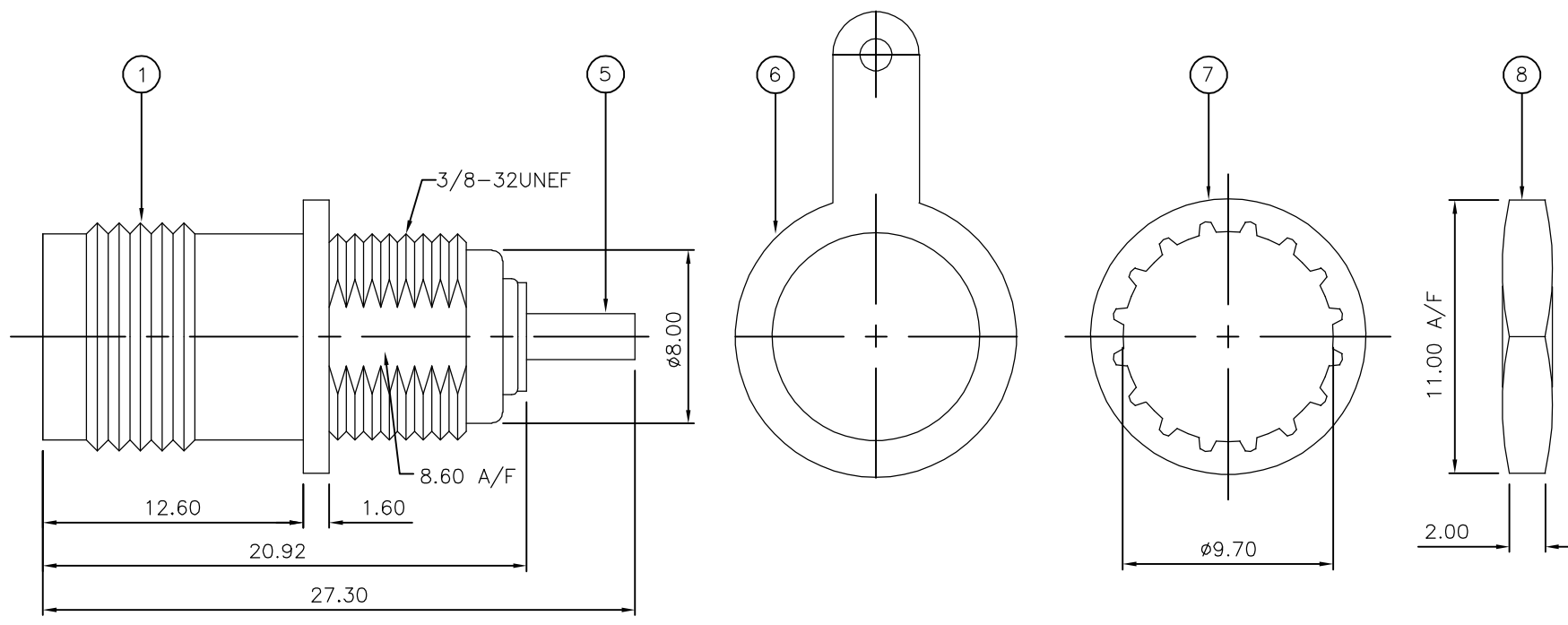


THIS DRAWING IS UNPUBLISHED. RELEASED FOR PUBLICATION AUGUST, 2006.  
 © COPYRIGHT 2006 BY TYCO ELECTRONICS CORPORATION. ALL RIGHTS RESERVED.

LOC	DIST	REVISIONS					
E	B	P	LTR	DESCRIPTION	DATE	DWN	APVD
		A		FIRST ISSUE	15AUG06	JMS	FWK

- NOTES:
- 1 PACK IN ACCORDANCE WITH AMP SPEC 107-3275
  - 2 100 TRAY PACK IN ACCORDANCE WITH AMP SPEC 107-3275
  - 3 Au PLATING
  - 4 Ni PLATING
  - 5 ELECTRICAL CHARACTERISTICS  
 FREQUENCY RANGE: 50 Ohm DC - 4 GHz  
 75 Ohm DC - 2 GHz  
 50 Ohm  
 NOMINAL IMPEDANCE:  
 INSULATION RESISTANCE: 5000 MOhm  
 WORKING VOLTAGE: 500 Volts RMS at Sea Level  
 DIELECTRIC WITHSTAND VOLTAGE: 1500 Volts RMS Max  
 CONTACT RESISTANCE:  
 CENTRE CONTACT: 1.50 mOhm Max  
 OUTER CONTACT: 1.00 mOhm Max  
 INSERTION LOSS db: 0.20 Max
  - 6 MECHANICAL CHARACTERISTICS  
 MOUNT NUT RECOMMENDED TORQUE: 2.0N  
 DURABILITY: 50 Cycles Min
  - 7 ENVIRONMENTAL CHARACTERISTICS  
 OPERATING TEMPERATURE: -65 to +85 DegC
  - 8 FOR TECHNICAL DATA REFER TO YOUR LOCAL TYCO ELECTRONICS SALES OFFICE
  - 9 ALL DIMENSIONS ARE NOMINAL FOR REFERENCE ONLY UNLESS OTHERWISE STATED



QTY	QTY	QTY	QTY	MATERIAL	DESCRIPTION	ITEM
1	1	1	1	STEEL	HEXAGONAL NUT	8
1	1	1	1	STEEL	LOCKWASHER	7
1	1	1	1	BRASS	SOLDER TAG	6
1	1	1	1	PHOSPHOR BRONZE	CONTACT	5
1	1	1	1	PTFE	INSULATION	4
1	1	-	-	PTFE	INSULATION	3
-	-	1	1	PTFE	INSULATION	2
1	1	1	1	ZINC	BODY	1
5--3	5--2	5--1	5--0			
△	△	△	△			
QUANTITY PER ASSY				PARTS LIST		

THIS DRAWING IS A CONTROLLED DOCUMENT.		DWN J.SANDWELL 15AUG06	Tyco Electronics Corporation Bideford EX39 4HE	
DIMENSIONS: mm		CHK S.PARLOW 15AUG06		
TOLERANCES UNLESS OTHERWISE SPECIFIED:		APVD F.WHEELER-KING 15AUG06	NAME TNC BULKHEAD SOCKET FRONT MOUNT 50 & 75 OHM	
0 PLC ± - 1 PLC ± - 2 PLC ± - 3 PLC ± - 4 PLC ± - ANGLES ± -		PRODUCT SPEC -	DRAWING NO A3 00779 C-1814804	
MATERIAL SEE TABLE		FINISH -	APPLICATION SPEC -	RESTRICTED TO -
		WEIGHT -	SIZE A3	CAGE CODE 00779
		CUSTOMER DRAWING	SCALE NTS	SHEET 1 OF 1
				REV A