

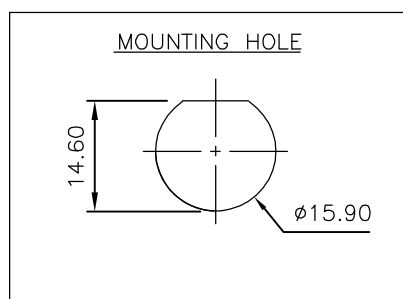
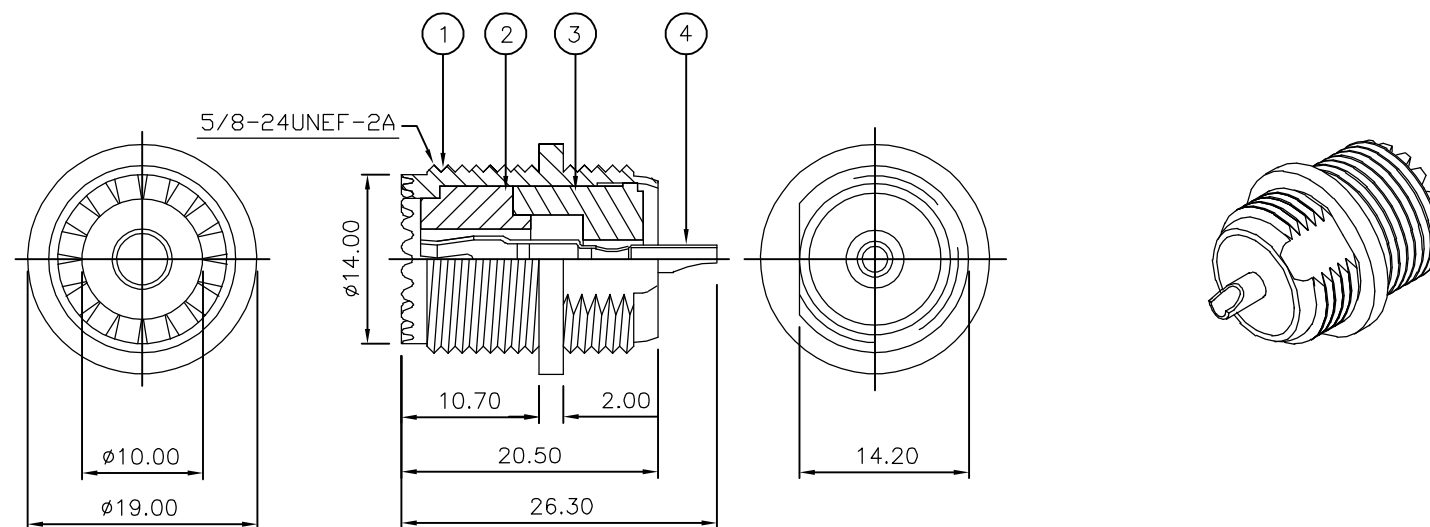
THIS DRAWING IS UNPUBLISHED. RELEASED FOR PUBLICATION AUGUST ,2006.

© COPYRIGHT 2006 BY TYCO ELECTRONICS CORPORATION. ALL RIGHTS RESERVED.

LOC	DIST	REVISIONS					
E	B	P	LTR	DESCRIPTION	DATE	DWN	APVD
		A		FIRST ISSUE	17AUG06	JMS	FWK

NOTES:

- 1 PACK IN ACCORDANCE WITH AMP SPEC 107-3275
- 2 100 TRAY PACK IN ACCORDANCE WITH AMP SPEC 107-3275
- 3 Sn PLATING
- 4 Ni PLATING
- 5 ELECTRICAL CHARACTERISTICS
 FREQUENCY RANGE: DC - 500 MHz
 NOMINAL IMPEDANCE: Non Constant
 INSULATION RESISTANCE: 5000 MOhm
 WORKING VOLTAGE: 500 Volts RMS at Sea Level
 DIELECTRIC WITHSTAND VOLTAGE: 1500 Volts RMS Max
 CONTACT RESISTANCE:
 CENTRE CONTACT: 3.00 mOhm Max
 OUTER CONTACT: 2.00 mOhm Max
- 6 MECHANICAL CHARACTERISTICS
 MOUNT NUT RECOMMENDED TORQUE: 4.0N
 DURABILITY: 50 Cycles Min
- 7 ENVIRONMENTAL CHARACTERISTICS
 OPERATING TEMPERATURE: -65 to +85 DegC
- 8 FOR TECHNICAL DATA REFER TO YOUR LOCAL TYCO ELECTRONICS SALES OFFICE
- 9 ALL DIMENSIONS ARE NOMINAL FOR REFERENCE ONLY UNLESS OTHERWISE STATED



QTY	QTY PER ASSY	MATERIAL	DESCRIPTION	ITEM
1	1	BRASS	CONTACT	4
1	1	PBT	INSULATION	3
1	1	PBT	INSULATION	2
1	1	ZINC	BODY	1
5--1	5--0			
QUANTITY PER ASSY		PARTS LIST		

THIS DRAWING IS A CONTROLLED DOCUMENT.		DWN J.SANDWELL 17AUG06	Tyco Electronics Corporation Bideford EX39 4HE		
DIMENSIONS: mm		CHK S.PARLOW 17AUG06	NAME UHF BULKHEAD SOCKET FRONT MOUNT		
		APVD F.WHEELER-KING 17AUG06	PRODUCT SPEC		
MATERIAL SEE TABLE		FINISH -	APPLICATION SPEC		
		WEIGHT -	SIZE A3	CAGE CODE 00779	DRAWING NO C-1814814
CUSTOMER DRAWING			RESTRICTED TO -	SCALE NTS	SHEET 1 OF 1 REV A