

4

3

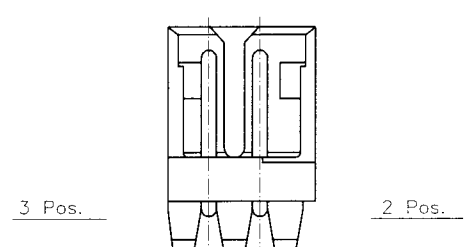
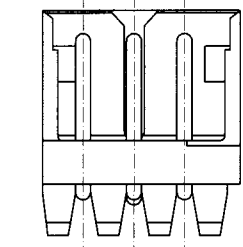
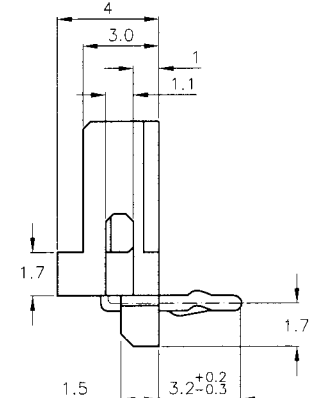
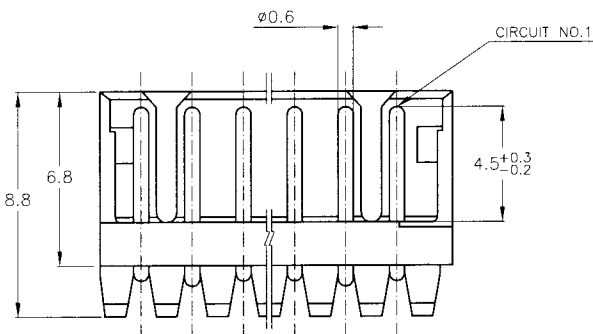
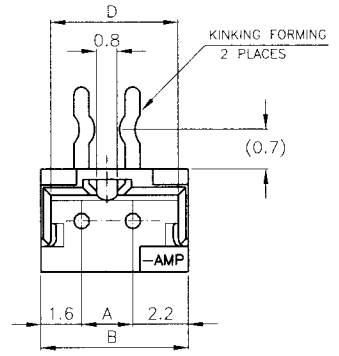
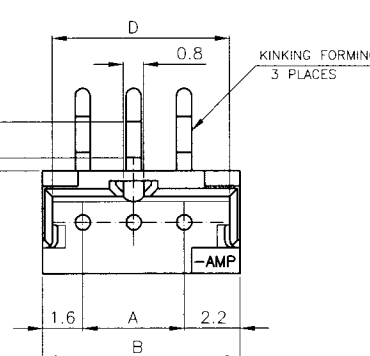
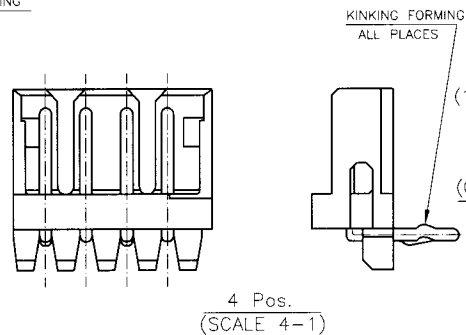
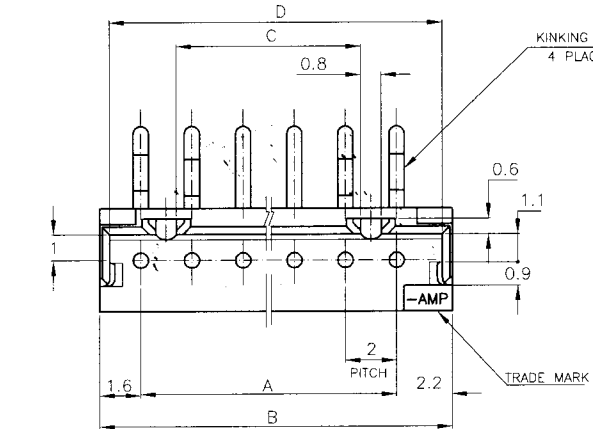
2

1

THIS DRAWING IS UNPUBLISHED. RELEASED FOR PUBLICATION. ALL RIGHTS RESERVED.

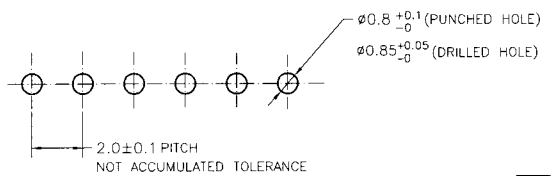
© COPYRIGHT BY TYCO ELECTRONICS CORPORATION.

LOC	DIST	REVISIONS			DATE	DWN	APVD
FB	00	P	LTR	DESCRIPTION			
		0	RELEASED	FB00-0013-03	23JAN03	J.J	T.S



7-292253-5	5-292253-5	3-292253-5	1-292253-5	15	28	31.8	25.2	31.0				
7-	-4	5-	-4	3-	-4	1-	-4	14	26	29.8	23.2	29.0
7-	-3	5-	-3	3-	-3	1-	-3	13	24	27.8	21.2	27.0
7-	-2	5-	-2	3-	-2	1-	-2	12	22	25.8	19.2	25.0
7-	-1	5-	-1	3-	-1	1-	-1	11	20	23.8	17.2	23.0
7-	-0	5-	-0	3-	-0	1-	-0	10	18	21.8	15.2	21.0
6-	-9	4-	-9	2-	-9		-9	9	16	19.8	13.2	19.0
6-	-8	4-	-8	2-	-8		-8	8	14	17.8	11.2	17.0
6-	-7	4-	-7	2-	-7		-7	7	12	15.8	9.2	15.0
6-	-6	4-	-6	2-	-6		-6	6	10	13.8	7.2	13.0
6-	-5	4-	-5	2-	-5		-5	5	8	11.8	5.2	11.0
6-	-4	4-	-4	2-	-4		-4	4	6	9.8	3.2	9.0
6-	-3	4-	-3	2-	-3		-3	3	4	7.8	—	7.0
6-292253-2	4-292253-2	2-292253-2	292253-2	2	2	5.8	—	5.0				
BLACK	YELLOW	BLUE	NATURAL	Pos.	A	B	C	D				

NOTES:  
 1. MATERIAL: HOUSING - NYLON 66 (UL94V-0)  
 POST - TIN BRASS  
 2. APPLICABLE RECEPTACLE P/N 173977



RECOMMENDABLE PCB LAYOUT  
 (PCB THK: 0.8-1.6)

TOLERANCES UNLESS OTHERWISE SPECIFIED:  
 10 > \* : ±0.2  
 30 > \* > 10 : ±0.25  
 100 > \* > 30 : ±0.3  
 ANGLE : ±3'

THIS DRAWING IS A CONTROLLED DOCUMENT.

DIMENSIONS: MM

TOLERANCES UNLESS OTHERWISE SPECIFIED:  
 0 PLC ±  
 1 PLC ±  
 2 PLC ±  
 3 PLC ±  
 4 PLC ±  
 ANGLES ±

MATERIAL: SEE NOTE

THIS DRAWING IS A CONTROLLED DOCUMENT.

DWN: S.XU 31JAN03  
 CHK: S.YAO 31JAN03  
 APVD: T.SASAKI 31JAN03

PRODUCT SPEC: 108-60016

APPLICATION SPEC: —

WEIGHT: —

CUSTOMER DRAWING

tyco Electronics  
 Tyco Electronics Corporation  
 SHANGHAI, CHINA

NAME: POST HEADER ASS'Y HORIZONTAL TYPE (AMP CT CONNECTOR 2mm PITCH)

SIZE: A3 CAGE CODE: 00779 DRAWING NO: C=292253 RESTRICTED TO: —

SCALE: 5:1 SHEET: 1 of 1 REV: 0