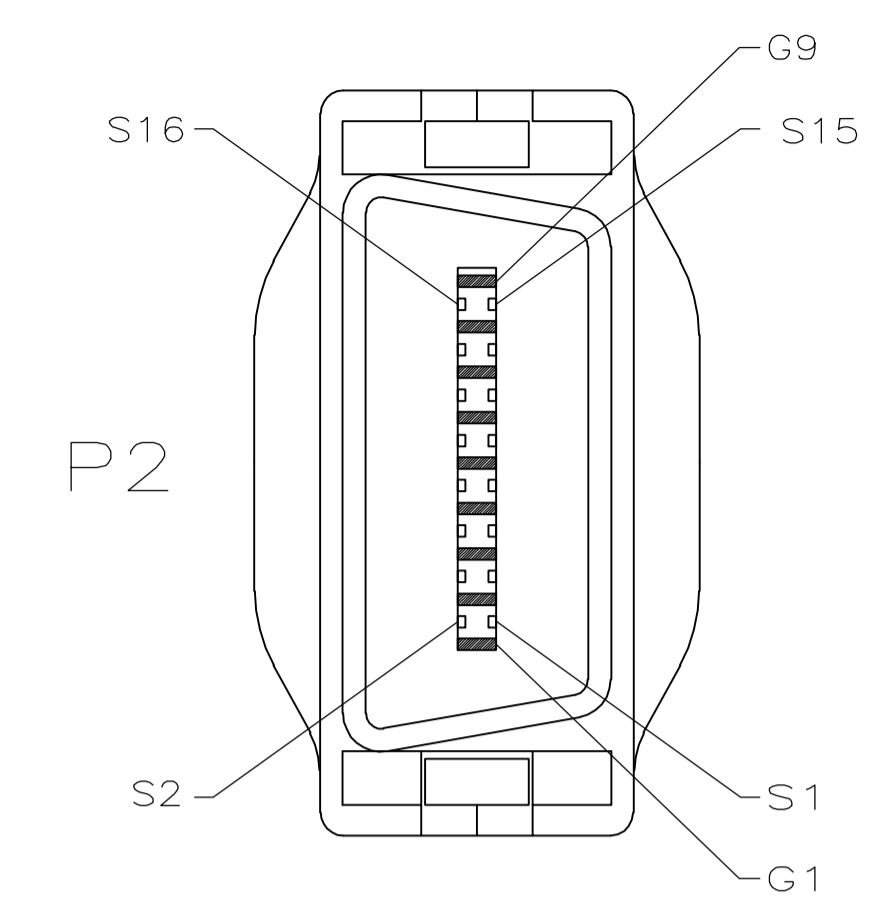
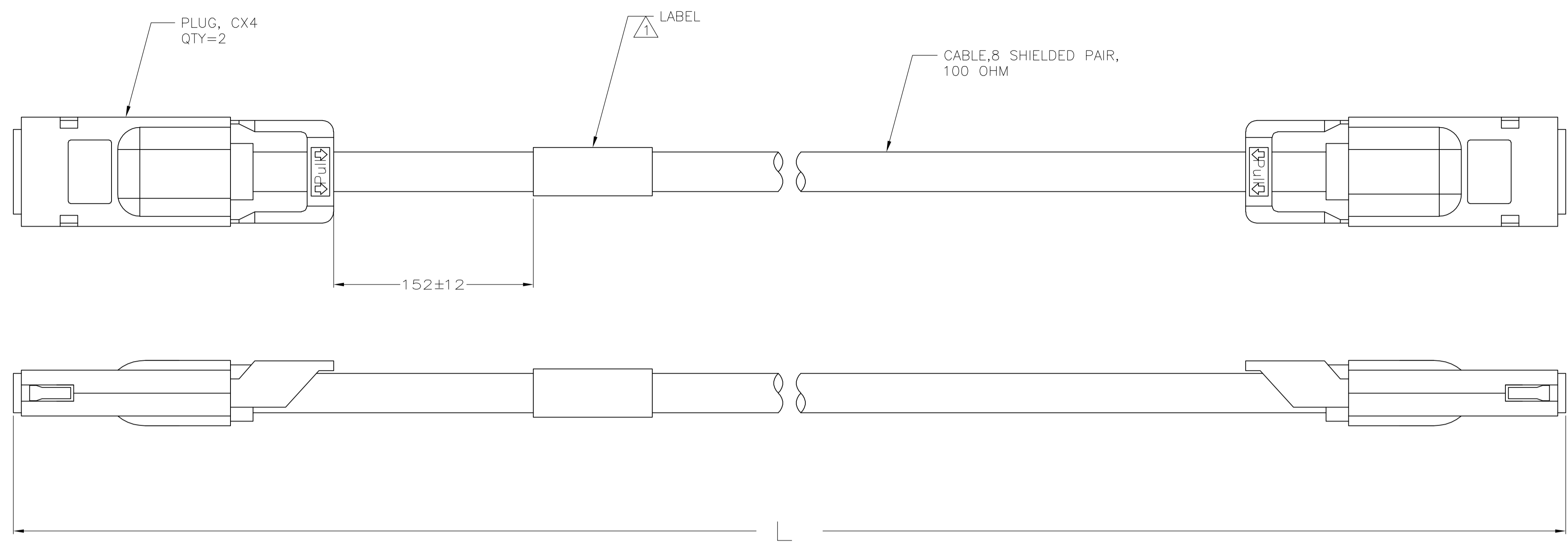
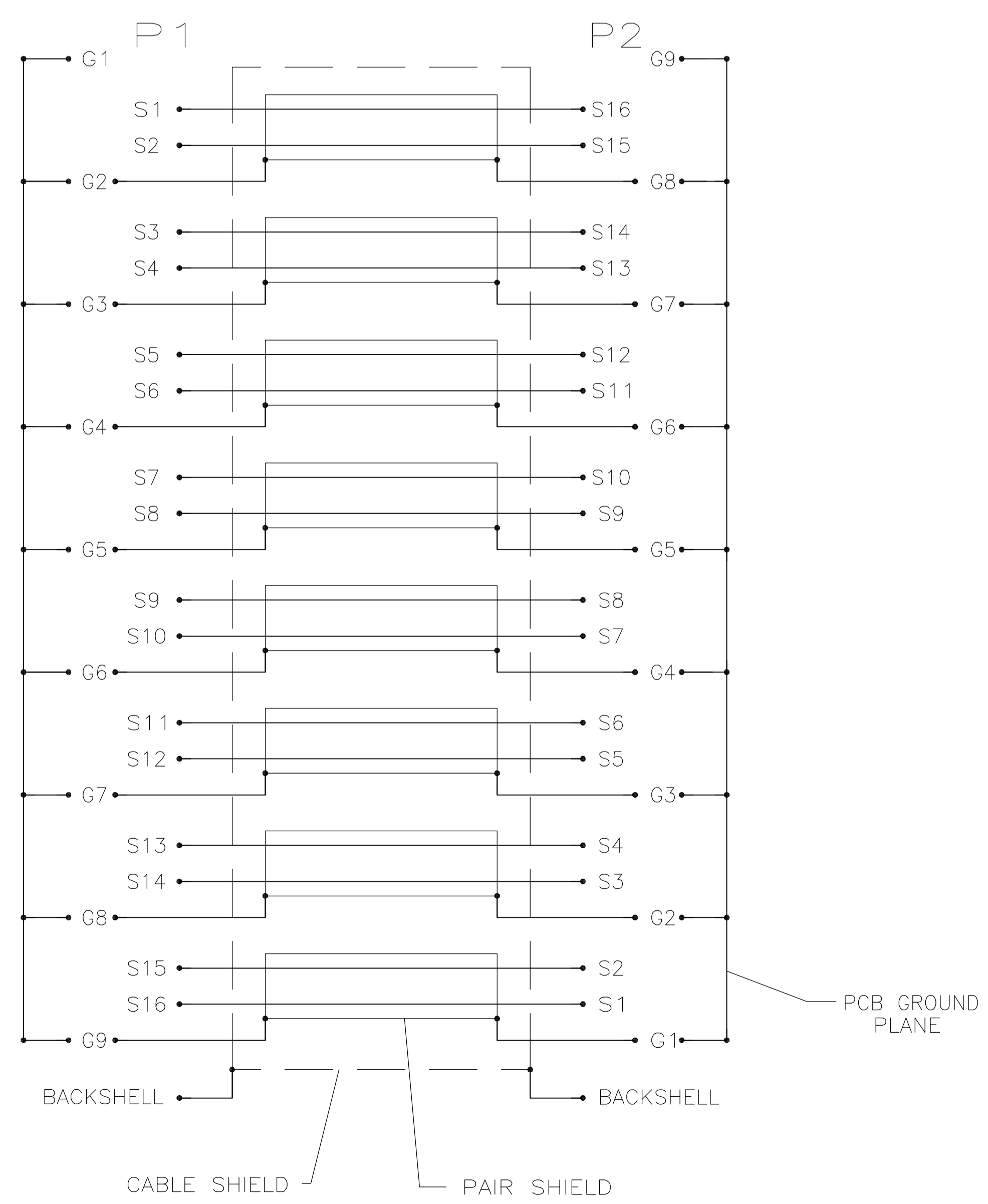


SCALE 4:1



SCALE 4:1



△ LABEL INFORMATION:

TYCO
 TYCO PART NUMBER
 CX4 3.125 Gbps
 YYWW
 MADE IN _____

← DATE CODE
 ← COUNTRY OF ORIGIN

2. PRODUCT AND PROCESSING MEETS REQUIREMENTS OF TYCO SPECIFICATION 230-702.

20M±0.1M	1-6751546-5
15M±0.1M	1-6751546-4
12M±0.1M	1-6751546-3
10M±0.1M	1-6751546-2
10M±0.1M	1-6751546-1
9M±0.1M	1-6751546-0
8M±0.1M	6751546-9
7M±0.07M	6751546-8
6M±0.07M	6751546-7
5M±0.07M	6751546-6
4M±0.07M	6751546-5
3M±0.07M	6751546-4
2M±0.07M	6751546-3
1M±0.04M	6751546-2
0.5M±0.04M	6751546-1
L	PART NO

THIS DRAWING IS A CONTROLLED DOCUMENT.		DWN T. SMITH 03MAY06	Tyco Electronics Corporation Harrisburg, PA 17105-3608	
DIMENSIONS: mm		CHK D. DUPLER 03MAY06	NAME D. DUPLER	
TOLERANCES UNLESS OTHERWISE SPECIFIED:		PRODUCT SPEC		
0. PLC ± -		APPLICATION SPEC		
1. PLC ± -		SIZE A1		
2. PLC ± -		CAGE CODE 00779		
3. PLC ± -		DRAWING NO 6751546		
4. PLC ± -		RESTRICTED TO		
ANGLES		WEIGHT		
FINISH		CUSTOMER DRAWING		