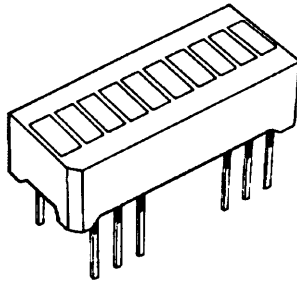




INTEGRATED VERTICAL BAR GRAPH DISPLAYS

TSM3934/36 SERIES

324-012 / +024



APPLICATIONS

- Power Meter in Stereo Systems
- S Meter in Ham and CB Radios
- VU Meter in Tape Recorders
- Process Control Meters
- Replacement for Edge Meters
- Replaces "Dumb" Bargraph Displays

PRODUCT MATRIX

Function	Color			
	Red	High Eff. Red	Green	Yellow
Linear	TSM3934	TSM39341	TSM39342	TSM39343
VU	TSM3936	TSM39361	TSM39362	TSM39363

Note: Multiple color arrays available. Consult factory.

ABSOLUTE MAXIMUM RATINGS

Power Dissipation-Driver (Note 1):	500mW
V ⁺ Voltage:	24V
V _{LED} Voltage:	24V
Input Signal Overvoltage (Note 2):	±35V
Voltage on Resistor String:	-100mV to V ⁺
Reference Load Current:	10mA
Signal Input Current	
(With Overvoltage Applied):	±3.0mA
Operating Temperature Range:	-20° C to +85° C
Storage Temperature Range:	-40° C to +85° C
Lead Soldering Temperature	
(1/16" Below Heating Plane)	
5 Seconds @	230° C

FEATURES

- Packages are End-Stackable up to 10 Cascaded Arrays (100 Bar Graph Elements)
- Linear and VU Meter Functions
- Bar or Dot Display Mode Externally Selectable
- LED Current Programmable from 2.0mA to 30mA
- Stable, Internal Voltage Reference for Full-Scale Analog Inputs from 1.2V to 12V
- Inputs Operate Down to Ground
- Signal Input Withstands 35V Without Damage or False Outputs
- Variety of Green/Yellow/Red Bar Sequences Available
- Vertical 10 element industry standard bargraph with built-in linear or VU meter function
- Functionally and mechanically replaces the following products with one easy to use device:
 - MV5X164 plus LM3914 or LM3916
 - HDSP48XX plus LM3914 or LM3916
 - XBG48XX plus LM3914 or LM3916

DESCRIPTION

The TSM3934/36 series are functional replacements for a variety of conventional meters. Each combines a 10-element LED array and a monolithic integrated circuit display driver. Successive LEDs light as the analog input voltage level increases past prescaled threshold points.

The TSM3934 provides a linear analog display, with internal threshold points linearly scaled. The TSM3936 functions as a VU display. The VU meter function is provided by using threshold points at common VU intervals.

The driver circuit contains an adjustable voltage reference which precisely sets LED thresholds. Current drives to the LEDs are regulated and programmable, eliminating the need for resistors. The entire display can operate from supply voltages as low as 3V and as high as 24V. The internal voltage reference is also connected to an accurate 10-step voltage divider, supplying reference voltages for 10 individual comparators. These comparators switch as the signal voltage exceeds the established thresholds as described above. The typical overall inaccuracy (deviation from ideal) is typically within 1% for the TSM3934 and TSM3936. A high impedance input buffer accepts signals down to ground, yet protects against signal inputs of 35V above or below ground. A single (mode) pin changes the display from a bar graph to a moving dot.



THREE-FIVE SYSTEMS, INC.
Optoelectronics Group
TEL: 602-496-0035; FAX: 602-496-0168

THREE-FIVE SYSTEMS, LTD.
Swindon, U.K.

TEL: (0793) 618835; FAX: (0793) 614127

INTEGRATED VERTICAL BAR GRAPH DISPLAYS

TSM3934/36 SERIES

OPTOELECTRICAL CHARACTERISTICS

Symbol	Parameter	Conditions $T_A = 25^\circ\text{C}$	Min	Typ	Max	Units	
V_{REF}	Voltage Reference Output	$0.10\text{mA} \leq I_{LREF} \leq 4.0\text{mA}$, $V^* = 12.0\text{V}$, $V_{LED} = 4.5\text{V}$	1.2	1.28	1.34	V	
I_i	Signal Input Bias Current	$0\text{V} \leq V_{IN} \leq V^* - 1.5\text{V}$		25	100	nA	
I_s	Supply Current (V^* Lead)	$V^* = 5.0\text{V}$ to 20V , $I_{LREF} = 1.0\text{mA}$		6.0	10	mA	
	Absolute Accuracy at each Threshold Point	TSM3934	Deviation from Straight Line through First and Last Threshold Point (Note 5)		-5.0	5.0	%
		TSM3936	$V_{IN} = +3.0$ to -7.0dB (Note 6) $V_{IN} = -10$ to -20dB (Note 6)		-1.0 -2.0	1.5 2.0	dB dB
I_L	LED Segment Intensity Red High Efficiency Red Green Yellow	$V^* = 12.0\text{V}$, $V_{LED} = 4.5\text{V}$, $I_{LREF} = 1.0\text{mA}$	0.10 0.50 0.60 0.60	0.20 0.80 1.50 1.50		mcd mcd mcd mcd	
	LED Intensity Matching (All Segments On)	$V_{IN} \geq 10\text{V}$, $V^* = 12\text{V}$, $V_{LED} = 3.0\text{V}$, $I_{LREF} = 1.0\text{mA}$		± 33		%	
I_{LED}	LED Current/Segment	$V^* = 12\text{V}$, $V_{LED} = 4.5\text{V}$, $I_{LREF} = 1.0\text{mA}$		10		mA	
λ_P	Peak Wavelength Red High Efficiency Red Green Yellow			655 635 565 585		nm nm nm nm	

Note 1 Driver dissipation is given by $P_{DR} = (V_{LSD} - 1.7\text{V}) I_{LSD} (\text{Total}) + (V_{V^*} - 10\text{mA})$ where V_{LSD} is the LED supply voltage, 1.7V is the nominal individual LED voltage drop and 10mA is the maximum current of the V^* supply. For standard (655nm) red, use 1.6V as minimum LED voltage.

Note 2 The addition of a 39k resistor in series with the input signal allows $\pm 100\text{V}$ signals without damage.

Note 3 Unless otherwise stated, all specifications apply with the following conditions: V^* (supply) 3.0V to 20V, input signal range 0.015V to ($V^* - 1.5\text{V}$) with a maximum of 12Vdc. Comparator divider voltages, same limits, $T_A = 25^\circ\text{C}$. Reference load current, 80 μA minimum.

Note 4 The following situations can lead to incorrect operation: (a) V_{LED} exceeding V^* or more than 14V below V^* ; (b) signal and comparator divider voltage becoming higher than the limits of Note 1; (c) reference load capacitance above 0.05 μF ; (d) reference current loading above 5.0mA.

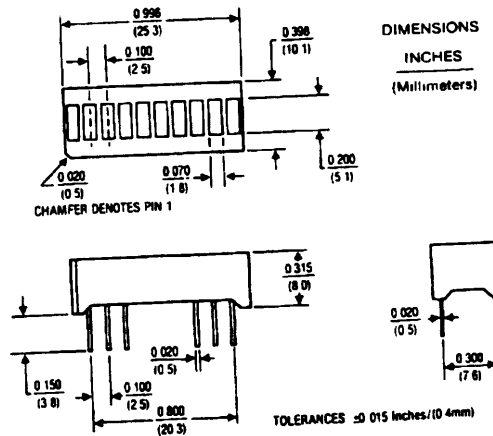
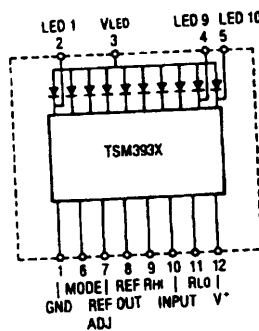
Note 5 Divider non-linearity is measured with R_{LO} at 0.000V and R_{HI} at 10.00 Vdc. (At lower divider voltages, buffer and comparator offset voltages may add significant error.)

Note 6 Accuracy is measured referred to 3dB = 10.00 Vdc at signal input, with R_{LO} at 0.000V and R_{HI} at 10.00 Vdc. (At lower full-scale voltages, buffer and comparator offset voltages may add significant error.)

PHYSICAL DIMENSIONS

PIN	ELECTRICAL CONNECTION
1	GROUND
2	LED 1
3	V_{LED}
4	LED 9
5	LED 10
6	MODE
7	REFERENCE ADJUST
8	REFERENCE OUT
9	R_{HI}
10	INPUT
11	R_{LO}
12	V^*

CONNECTION DIAGRAM



THREE-FIVE SYSTEMS, INC.
 Optoelectronics Group
 TEL. 602-496-0035; FAX. 602-496-0168

THREE-FIVE SYSTEMS, LTD

Swindon, U.K.

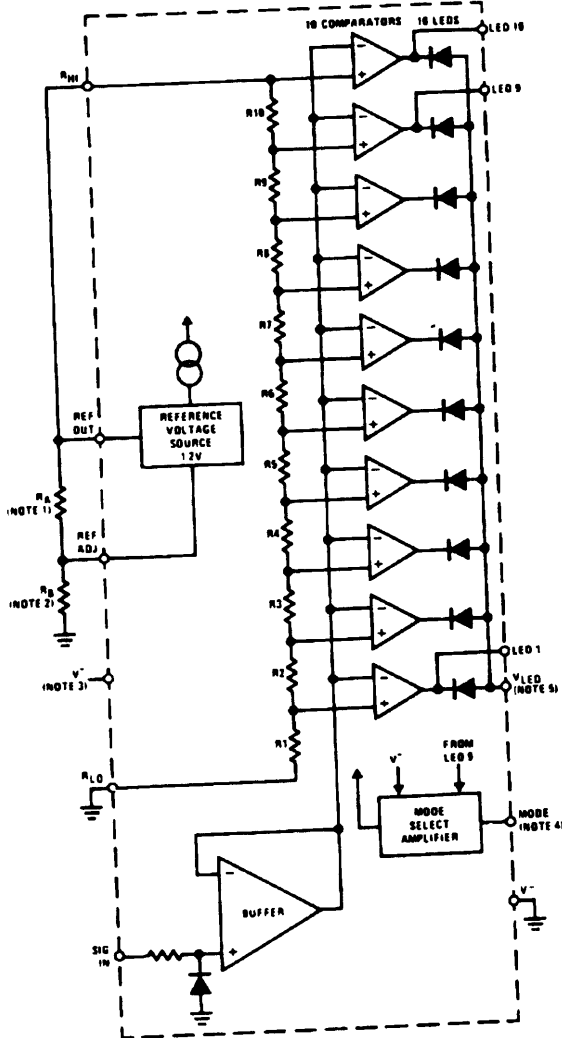
TEL: (0793) 618835; FAX: (0793) 614127

Form ID 11C

INTEGRATED VERTICAL BAR GRAPH DISPLAYS

TSM3934/36 SERIES

BLOCK DIAGRAM



TYPICAL RESISTOR STRING VALUES

RESISTOR	TSM3934	TSM3936
R1	1.00k	0.708k
R2	1.00k	1.531k
R3	1.00k	0.923k
R4	1.00k	0.819k
R5	1.00k	1.031k
R6	1.00k	1.298k
R7	1.00k	0.769k
R8	1.00k	0.864k
R9	1.00k	0.970k
R10	1.00k	1.087k
Total	10k	10k

Note 1 R_A determines I_{LED} and thus LED brightness

$$I_{LED} \cong 10 \left(\frac{1.25V}{R_A} + \frac{V_{FS}}{R_{DIVIDER}} \right)$$

Note 2 R_B determines full-scale voltage

$$V_{FS} \cong 1.25V \left(1 + \frac{R_B}{R_A} \right) + I_{REF} R_B, \text{ where } I_{REF} \text{ is nominally } 80\mu A$$

Note 3 V^* may be 3.0V to 20V, additionally, for proper operation $V^* \geq V_{LED}, \geq V_{SIG} + 1.5V, \geq V_{REF} + 1.5V$

Note 4 Mode controls type of display. Connect to LED 9 for dot display and to V^* for bar display.

Note 5 V_{LED} may be 3.0V to 20V (see Note 3). V_{LED} may be limited by the driver circuit dissipation rating.

Note 6 Driver dissipation is given by $P_{DR} = (V_{LED} - 1.7V) I_{LED} (Total) + (V_{V^*} - 10mA)$ where V_{LED} is the LED supply voltage, 1.7V is the nominal individual LED voltage drop and 10mA is the maximum current of the V^* supply.



THREE-FIVE SYSTEMS, INC.
Optoelectronics Group
TEL: 602-496-0035; FAX: 602-496-0168

THREE-FIVE SYSTEMS, LTD.

Swindon, U.K.

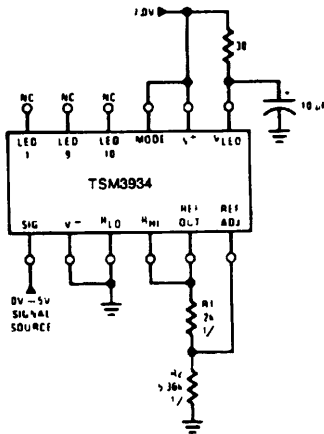
TEL: (0793) 618835; FAX: (0793) 614127

Form ID 1103

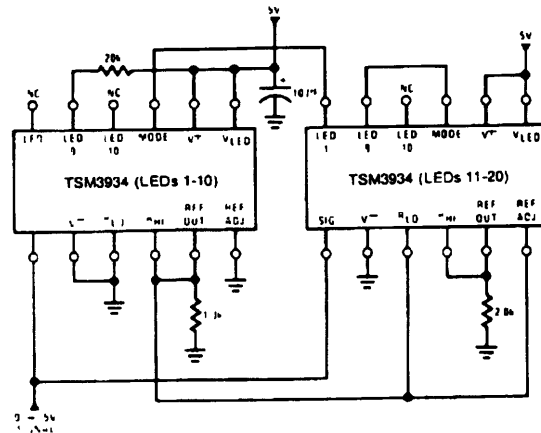
INTEGRATED VERTICAL BAR GRAPH DISPLAYS

TSM3934/36 SERIES

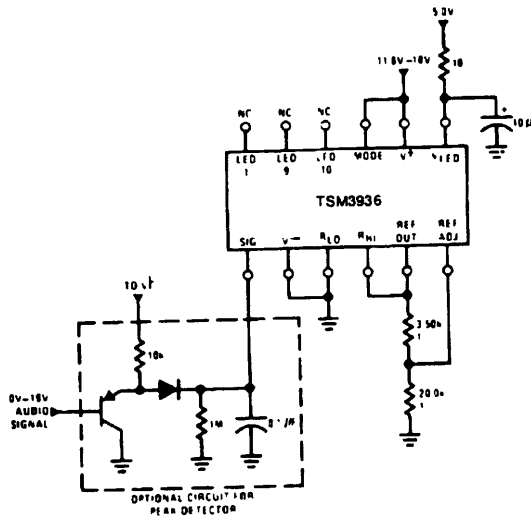
TYPICAL APPLICATIONS



Linear Bar Graph (5V Full-Scale)



20-Segment Linear Dot Graph (2.5V Full-Scale)



VU (TSM3936) Audio Bar Graph

RECOMMENDED DISPLAY PROCESSING

The TSM3934/36 is constructed on a standard printed circuit board substrate and covered with a plastic reflector. The edge connector tab will withstand 230°C for 5 seconds. Permanent damage to the display will result if reflector temperature exceeds 70°C. Since the display is not hermetic, immersion of the entire package during flux and clean operation may cause condensation of flux or cleaner on the underside of the reflector. Only the pins

should be immersed.

Rosin core solder, solid core solder, and low activity organic fluxes are recommended. Freon TF, Isopropanol, Methanol or Ethanol solvents are recommended only at room temperature and for short periods. The use of other solvents or elevated temperature use of the recommended solvents may cause permanent damage to the reflector or display.



THREE-FIVE SYSTEMS, INC.

Optoelectronics Group

TEL: 602-496-0035; FAX: 602-496-0168

THREE-FIVE SYSTEMS, LTD

Swindon, U.K.

TEL: (0793) 618835; FAX: (0793) 614127