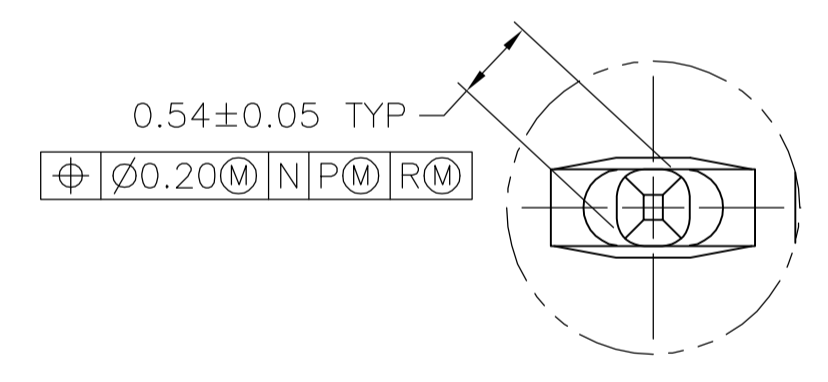
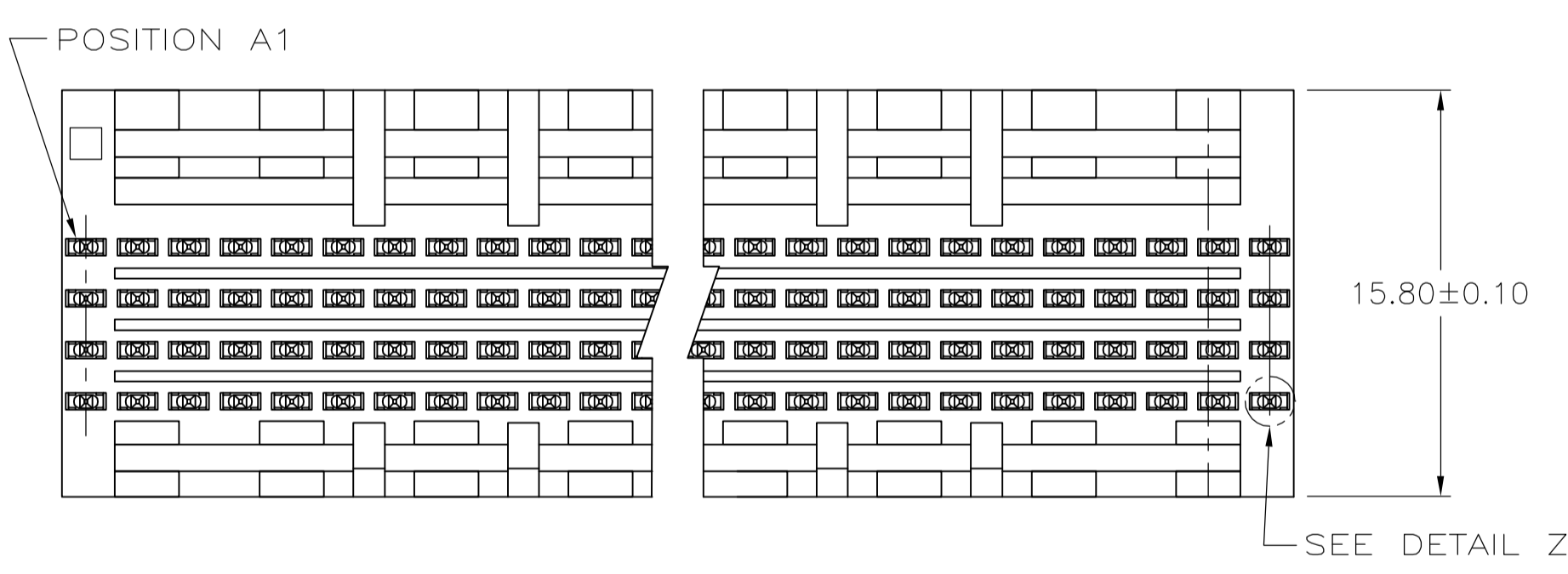
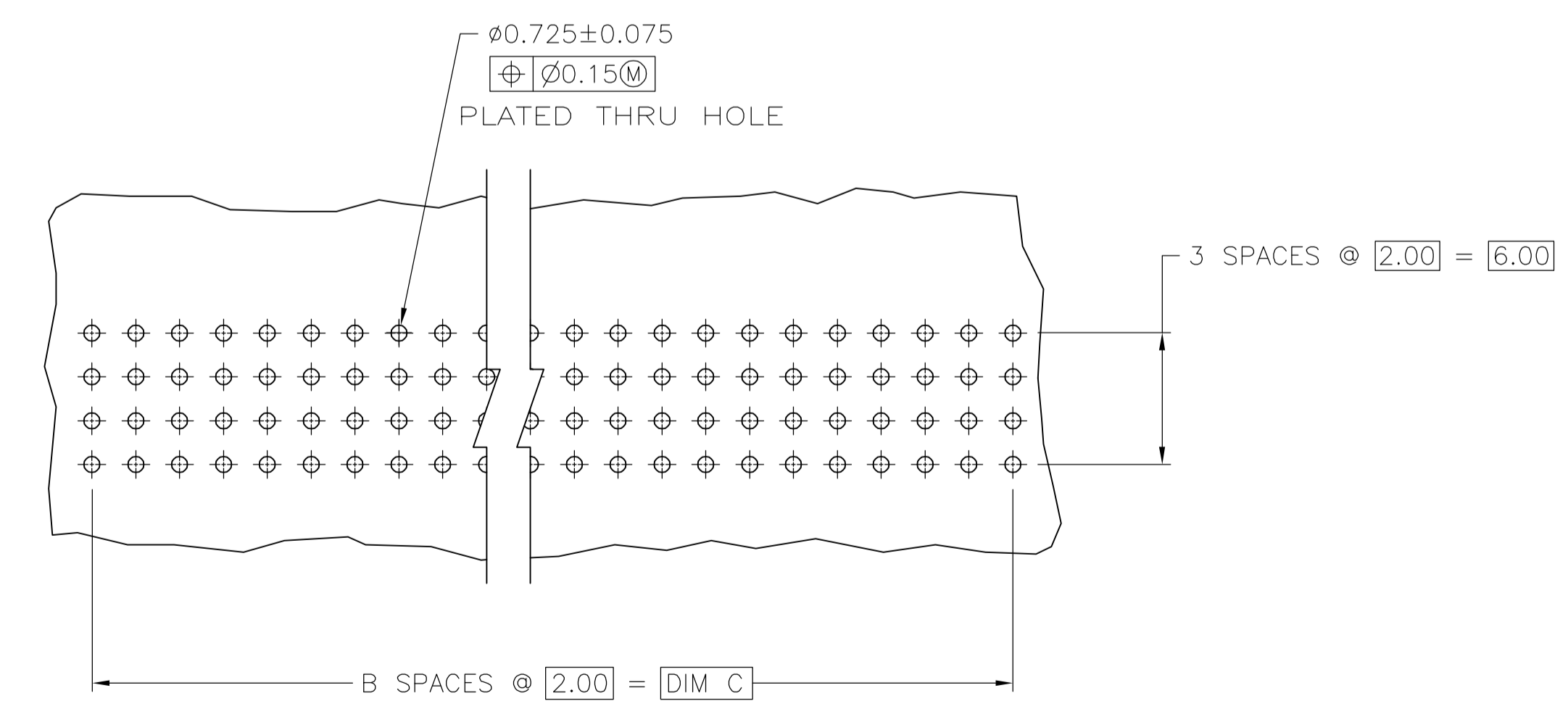


- 1 HOUSING MATERIAL: LIQUID CRYSTAL POLYMER PER ASTM D5138 LCP000 G30A 32250.
- 2 CONTACT MATERIAL: PHOSPHOR BRONZE.
- 3 CONTACT FINISH:
 UNDERPLATE (ENTIRE CONTACT):
 0.00127 MIN NICKEL PER SAE-AMS-QQ-N-290.
 ON MATING SURFACES:
 CONFORMS TO ALL TESTING SPECIFIED FOR TELCORDIA UNCONTROLLED ENVIRONMENT.
 ON LEADS
 0.0006 MIN TIN PER ASTM B 545 OVER UNDERPLATE.
 LUBRICATION (MIN MATING SURFACES):
 SURFACE CONDITIONER AFTER PLATING.
- 4 PART MARKING, LOCATED APPROXIMATELY AS SHOWN.
- 5 DIMENSION APPLIES WHEN SEATED ON PRINTED CIRCUIT BOARD.



DETAIL Z
SCALE 20:1



RECOMMENDED CIRCUIT PATTERN
PER IPC-D300 TYPE II, CLASS C
(COMPONENT SIDE)

4.25	58.00	29	59.88	3	120	5536514-6
4.25	72.00	35	71.88	3	144	5536514-5
4.25	94.00	47	95.88	3	192	5536514-4
4.25	46.00	23	47.88	3	96	5536514-3
4.25	22.00	11	23.88	3	48	5536514-2
4.25	10.00	5	11.88	3	24	5536514-1
D	C	B	A	FINISH	NO OF POSN	PART NUMBER

THIS DRAWING IS A CONTROLLED DOCUMENT.

DIN 91	MCMASTER	31AUG04	tyco Electronics	Tyco Electronics Corporation Harrisburg, Pa 17105-3608	
CHK R	WERTZ	31AUG04		NAME: PIN ASSEMBLY, SIGNAL MODULE, Z-PACK 2mm FB 2mm, 4 ROW, 5.00 mm MATING LENGTH PRESS FIT LEAD	
DIMENSIONS: mm		TOLERANCES UNLESS OTHERWISE SPECIFIED:		APVD R WERTZ 31AUG04	
0 PLC	± -	APPLICATION SPEC		SIZE	CAGE CODE
1 PLC	± -	MATERIAL		WEIGHT	DRAWING NO
2 PLC	± 0.13	FINISH		A1	00779
3 PLC	± -	CUSTOMER DRAWING		SCALE	4:1
4 PLC	± -	RESTRICTED TO		SHEET	1 OF 1
ANGLES	± -	REV		0	