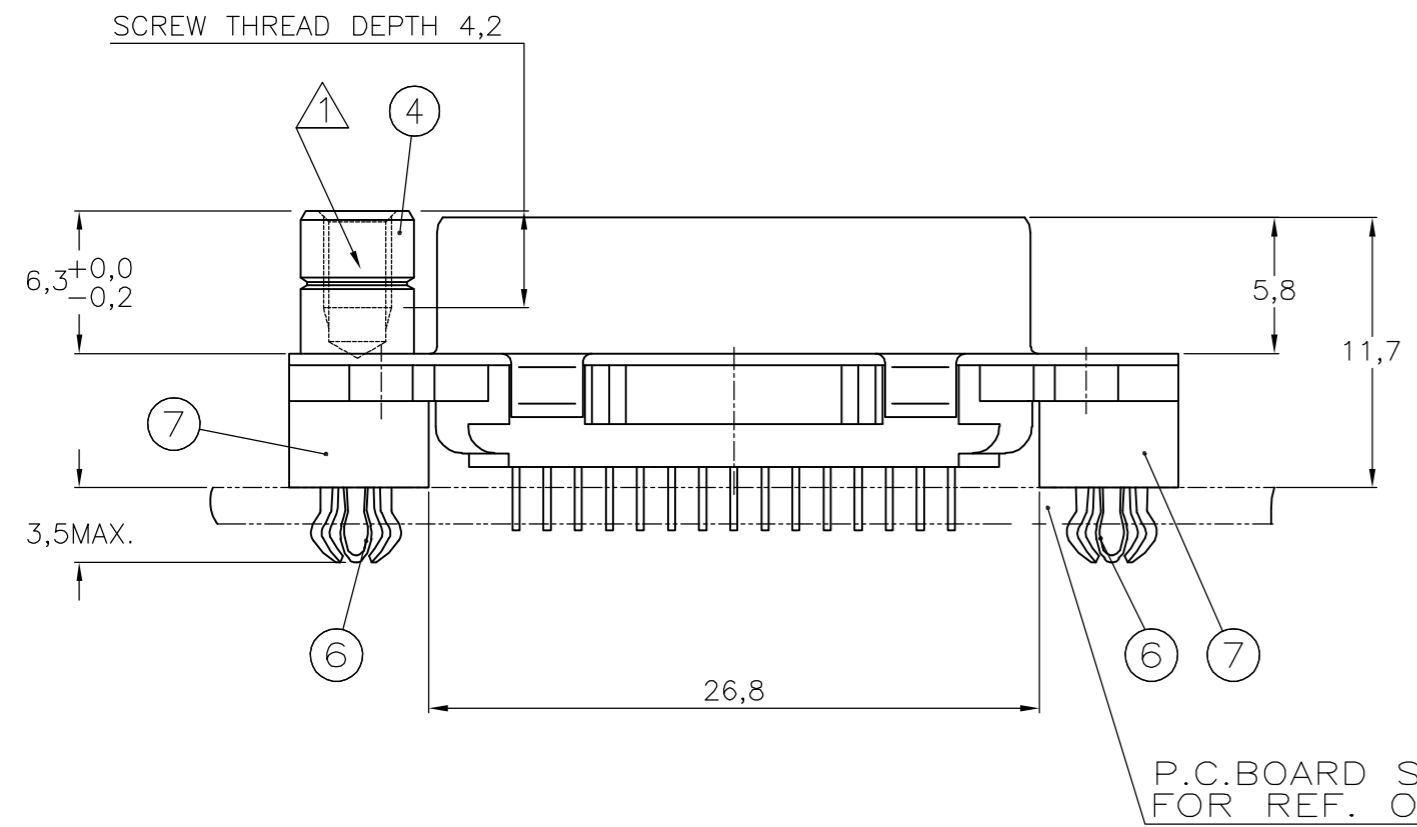
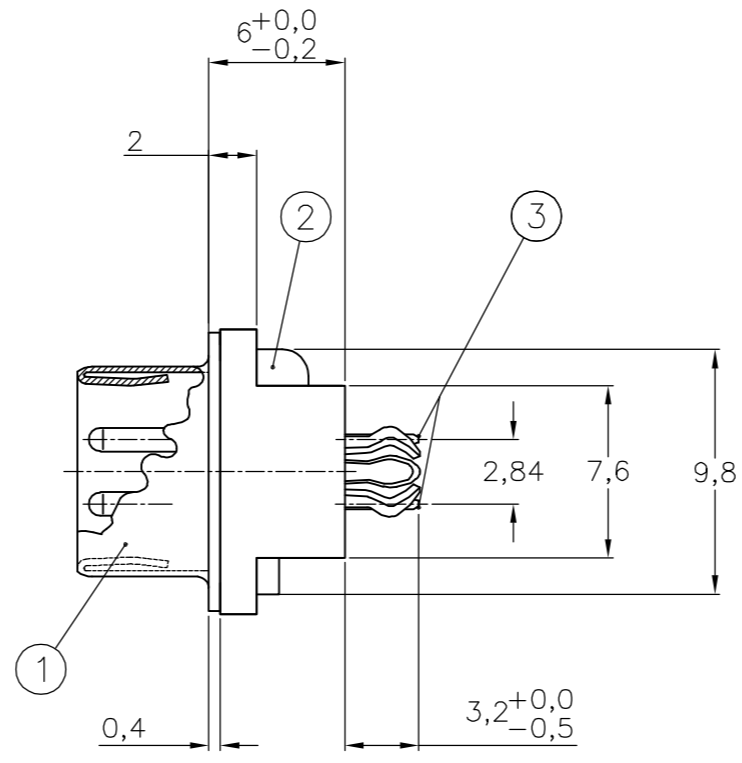
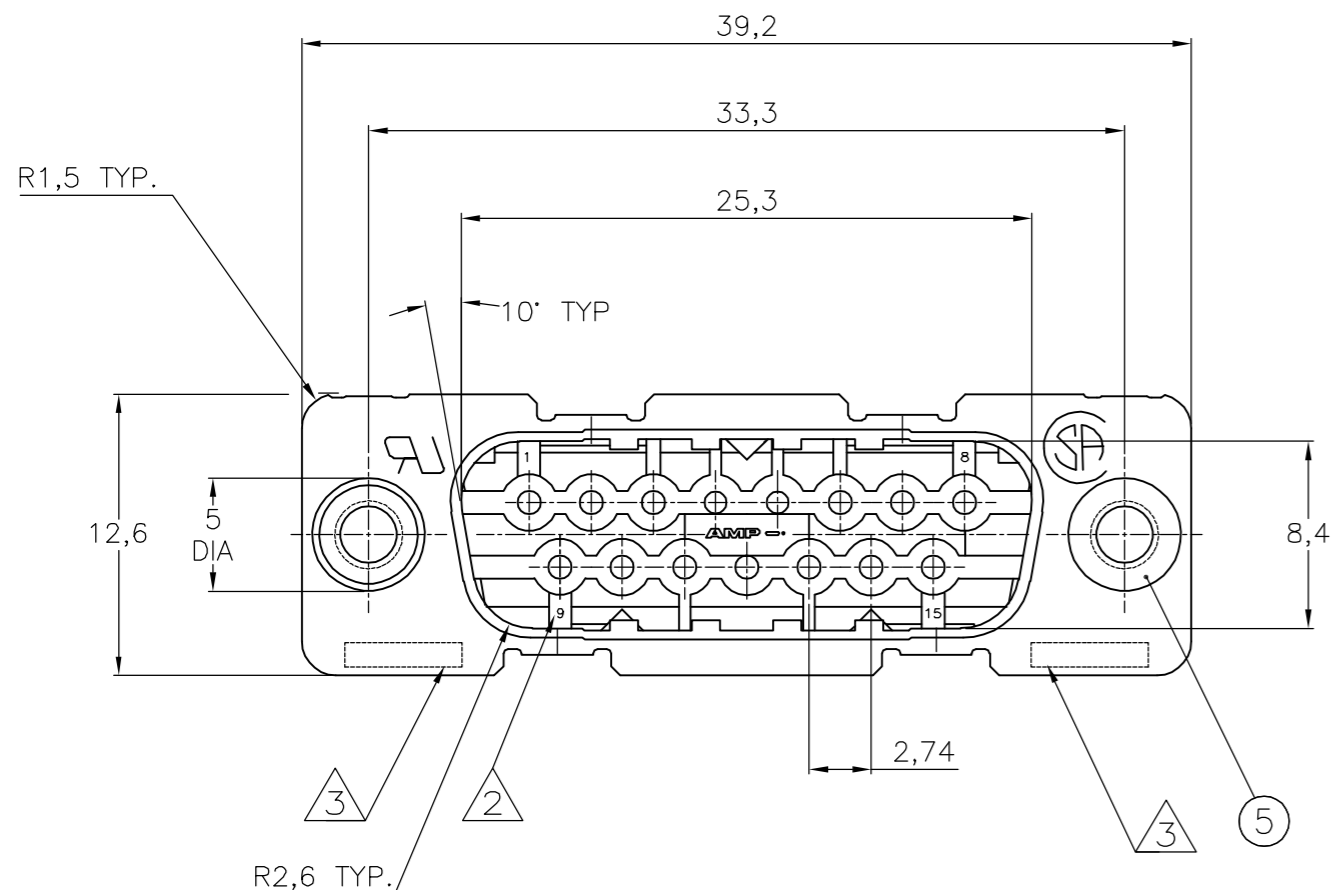


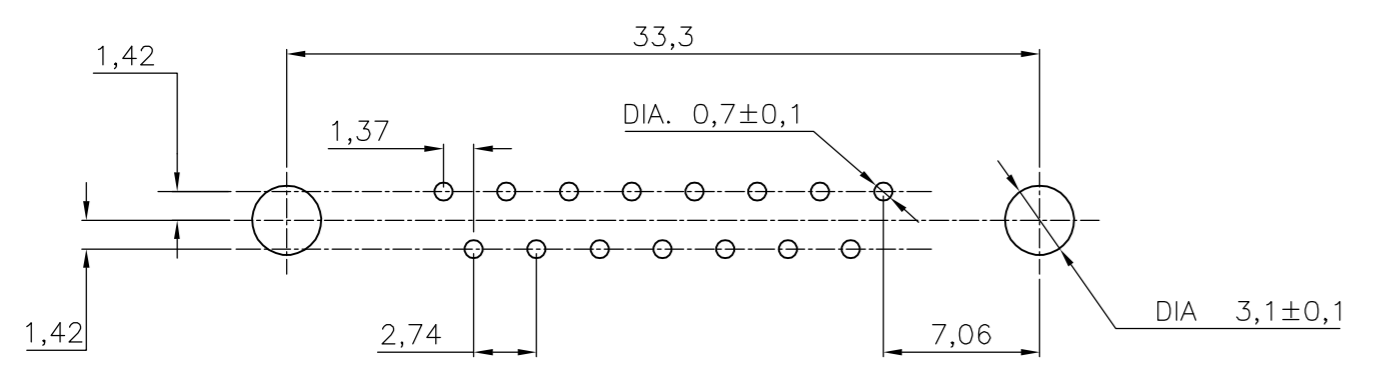
THIS DRAWING IS UNPUBLISHED. RELEASED FOR PUBLICATION
 © COPYRIGHT BY TYCO ELECTRONICS CORPORATION. ALL RIGHTS RESERVED.

LOC	DIST	REVISIONS					
		P	LTR	DESCRIPTION	DATE	DWN	APVD
H	-		D	EH-1417-99	19-02-00	PW	WC
			E	ECR-06-011911	22-05-06	BSV	DC
			F	ECR-06-016169	10-07-06	BSV	MK



P.C. BOARD SHOWN FOR REF. ONLY.

RECOMMENDED P.C. BOARD HOLE-LAYOUT



ACCESSORIES PREFIX "Z"	ITEM NR.	DESCRIPTION OF ACCESSORY	1	2	3	4	5	6	7	8	9
5	BUSHING WITH THROUGHHOLE 3,1 DIA.										
5	BUSHING WITH THREAD 4-40 UNC										
5	BUSHING WITH THREAD M3										
4	FEMALE SCREWLOCK WITH THREAD 4-40 UNC										
4	FEMALE SCREWLOCK WITH THREAD M3										
6	BOARDLOCK										

HOW TO ORDER:
 15 POS.-----> Z-338310-Y
 PREFIX FOR ACCESSORIES
 BASIC PARTNR.
 SUFFIX FOR PLATING

PLATING SUFFIX "Y"
 GOLD OVER NICKEL AS PER PERFORMANCE LEVEL 2 (DIN 41652)
 SOLDERPART: TIN-PLATING 3µm
 -Y = -2

- ① GROOVE INDICATES VERSION WITH 4-40 UNC INNER THREAD; WITHOUT GROOVE INDICATES VERSION WITH M3 INNER THREAD.
- ② CAVITY IDENTIFICATION AT FRONT SIDE ONLY.
- ③ PARTNUMBER AND DATE CODE.
- 4 WHEN BOARDLOCKS ARE USED, CONNECTOR CAN BE USED FOR PCB THICKNESS OF 1,6 mm ONLY.
- 5 SHELL HAS 2x4 GROUNDING SPRINGS; PITCH IS 3,6 mm
- 6 AIR AND CREEPAGE DISTANCES ACCORDING TO DIN41652

- ITEM NRS./MATERIAL :
- ① SHELL : BRIGHT TINPLATED STEEL
 - ② HOUSING : GLASSFILLED POLYESTER, COLOR : BLACK
 - ③ CONTACTS : PHOSPHORBRONZE (PLATING : SEE TABLE ABOVE)
 - ④ FEMALE SCREWLOCK : TINPLATED STEEL (INNER THREAD 4-40 UNC OR M3)
 - ⑤ BUSHING : TINPLATED STEEL (INNER THREAD 4-40 UNC OR M3 OR 3,1 DIA. THROUGHHOLE)
 - ⑥ BOARDLOCK : TINPLATED PHOSPHORBRONZE
 - ⑦ STAND-OFF : ULTRAMID V0 COLOR : BLACK

THIS DRAWING IS A CONTROLLED DOCUMENT.		DWN J.V.LIEMPT 03JUL97	tyco Tyco Electronics Corporation	
DIMENSIONS: mm		CHK C.SOUISA 09SEPT97	s-HertogenBosch, Netherlands,	
TOLERANCES UNLESS OTHERWISE SPECIFIED:		APVD W.SOOMERS 09SEPT97	NAME	
0 PLC ± -		PRODUCT SPEC	HDP-20 SIZE 2	
1 PLC ± -		APPLICATION SPEC	VERTICAL+ PLUG HEADER;	
2 PLC ± -			WITH SOLDER CONTACTS	
3 PLC ± -			SIZE A2	CAGE CODE 00779
4 PLC ± -			DRAWING NO	RESTRICTED TO
ANGLES ± -		WEIGHT -	C=338310	
FINISH -		CUSTOMER DRAWING	SCALE -	SHEET 1 OF 1
			REV F	