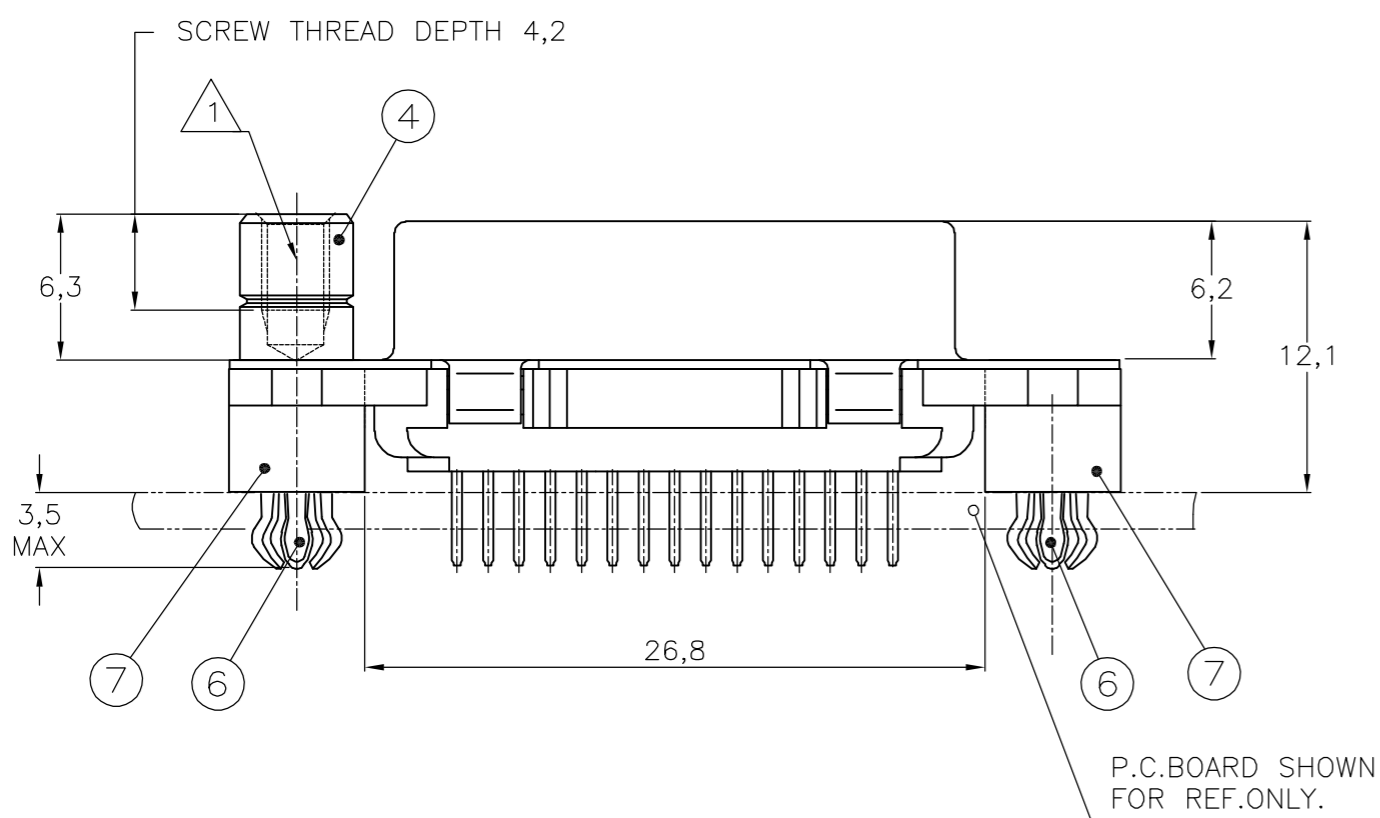
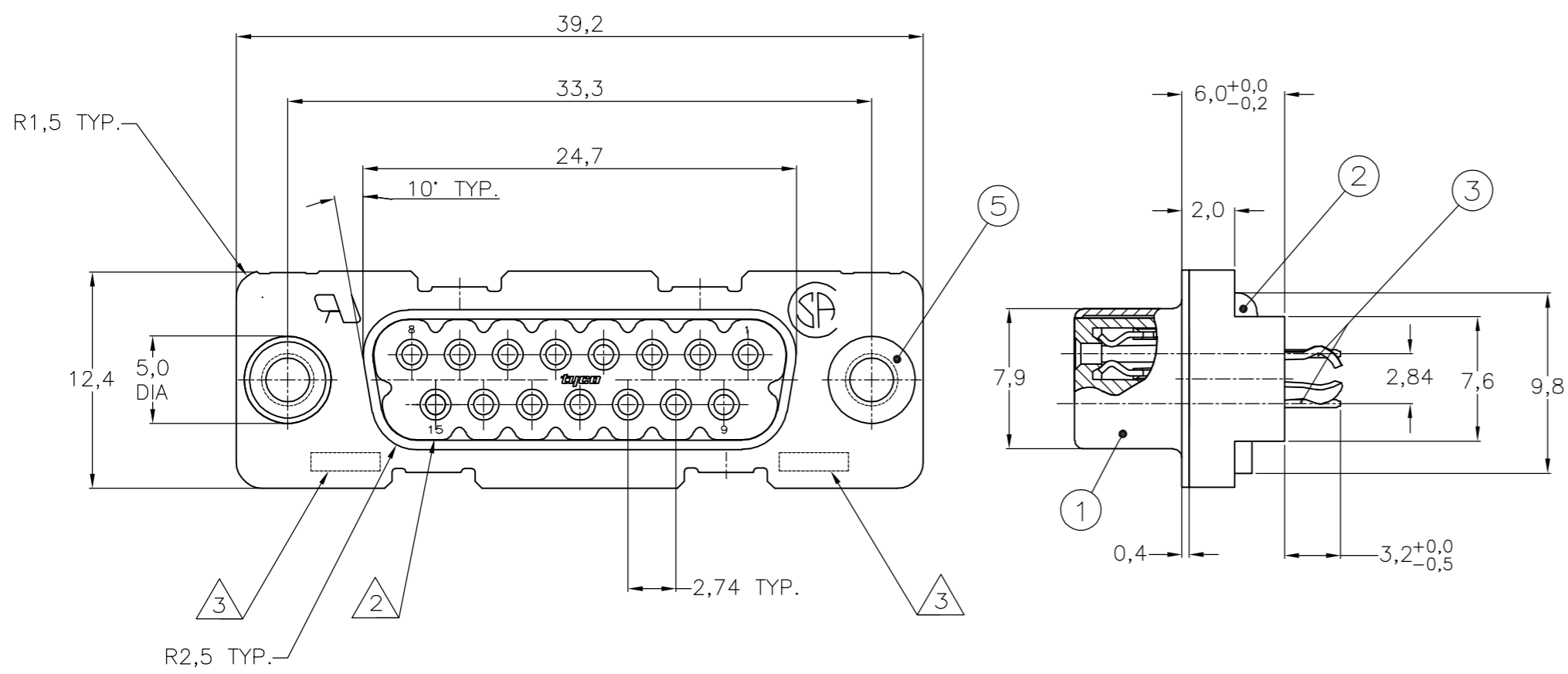
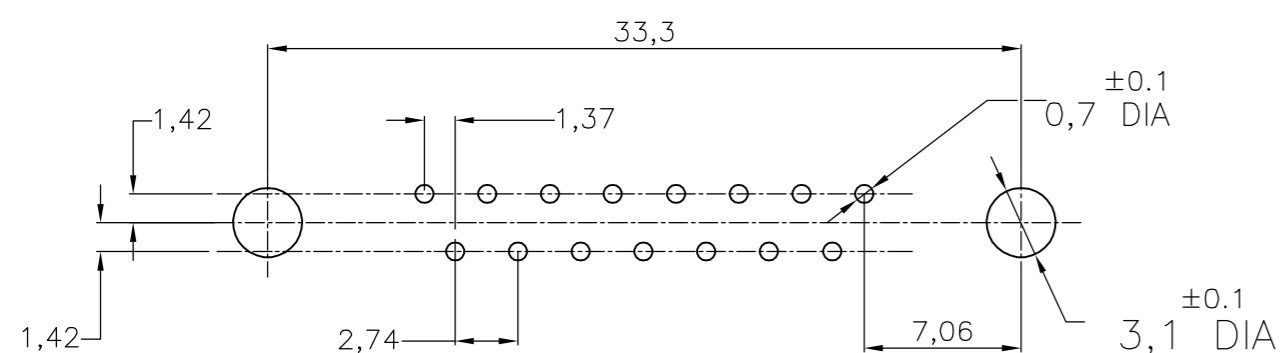


THIS DRAWING IS UNPUBLISHED. RELEASED FOR PUBLICATION  
 © COPYRIGHT BY TYCO ELECTRONICS CORPORATION. ALL RIGHTS RESERVED.

Loc	DIST	REVISIONS					
		P	LTR	DESCRIPTION	DATE	DWN	APVD
H	-		C	EH-0033-99	21-01-99	D.K	WS
			D	EH-1417-99	19-02-00	P.W	WC
			E	ECR-06-011911	22-05-06	BSV	DC



RECOMMENDED P.C. BOARD HOLE-LAYOUT



ACCESSORIES PREFIX "Z"	ITEM NR.	DESCRIPTION OF ACCESSORY	1	2	3	4	5	6	7	8	9
5		BUSHING WITH THROUGHHOLE 3,1 DIA.									
5		BUSHING WITH THREAD 4-40 UNC	2								
5		BUSHING WITH THREAD M3	2								
4		FEMALE SCREWLOCK WITH THREAD 4-40 UNC				2					
4		FEMALE SCREWLOCK WITH THREAD M3				2					
6		BOARDLOCK	2	2	2	2					

HOW TO ORDER:  
 15 POS.-----> Z-338314-Y  
 PREFIX FOR ACCESSORIES }  
 BASIC PARTNR. }  
 SUFFIX FOR PLATING }  
 -Y = -2

PLATING SUFFIX "Y"  
 GOLD OVER NICKEL AS PER PERFORMANCE LEVEL 2 (DIN 41652)  
 SOLDER-PART :TIN-PLATING 3µm

- ① GROOVE INDICATES VERSION WITH 4-40 UNC INNER THREAD; WITHOUT GROOVE INDICATES VERSION WITH M3 INNER THREAD.
- ② CAVITY IDENTIFICATION AT FRONT SIDE ONLY.
- ③ PARTNUMBER AND DATE CODE.
- 4 WHEN BOARDLOCKS ARE USED, CONNECTOR CAN BE USED FOR PCB THICKNESS OF 1,6 mm ONLY.

- ITEM NRS./MATERIAL :
- ① SHELL = BRIGHT TINPLATED STEEL
  - ② HOUSING = GLASSFILLED POLYESTER, COLOR : BLACK
  - ③ CONTACTS = PHOSPHORBRONZE (PLATING : SEE TABLE ABOVE)
  - ④ FEMALE SCREWLOCK = TINPLATED STEEL (INNER THREAD 4-40 UNC OR M3)
  - ⑤ BUSHING = TINPLATED STEEL (INNER THREAD 4-40 UNC OR M3 OR 3,1 DIA. THROUGHHOLE)
  - ⑥ BOARDLOCK = TINPLATED PHOSPHORBRONZE
  - ⑦ STAND OFF = ULTRAMID V0 COLOR : BLACK

THIS DRAWING IS A CONTROLLED DOCUMENT.		DWN	01JUL97	<b>tyco</b> Electronics	Tyco Electronics Corporation s-HertogenBosch, Nederland,		
DIMENSIONS: MM		CHK	09SEP97		NAME		
TOLERANCES UNLESS OTHERWISE SPECIFIED:		C.SOUISA		HDP-20 SIZE 2 VERTICAL++ RECEPTACLE HEADER; WITH SOLDER CONTACTS			
0 PLC ± -		APVD		SIZE			
1 PLC ± -		E.LEIJTENS		CAGE CODE			
2 PLC ± -		PRODUCT SPEC		DRAWING NO			
3 PLC ± -		APPLICATION SPEC		RESTRICTED TO			
4 PLC ± -		FINISH		SCALE			
ANGLES ± -		WEIGHT		SHEET			
MATERIAL		CUSTOMER DRAWING		1 OF 1			
		A2 00779		REV			
		C=338314		E			