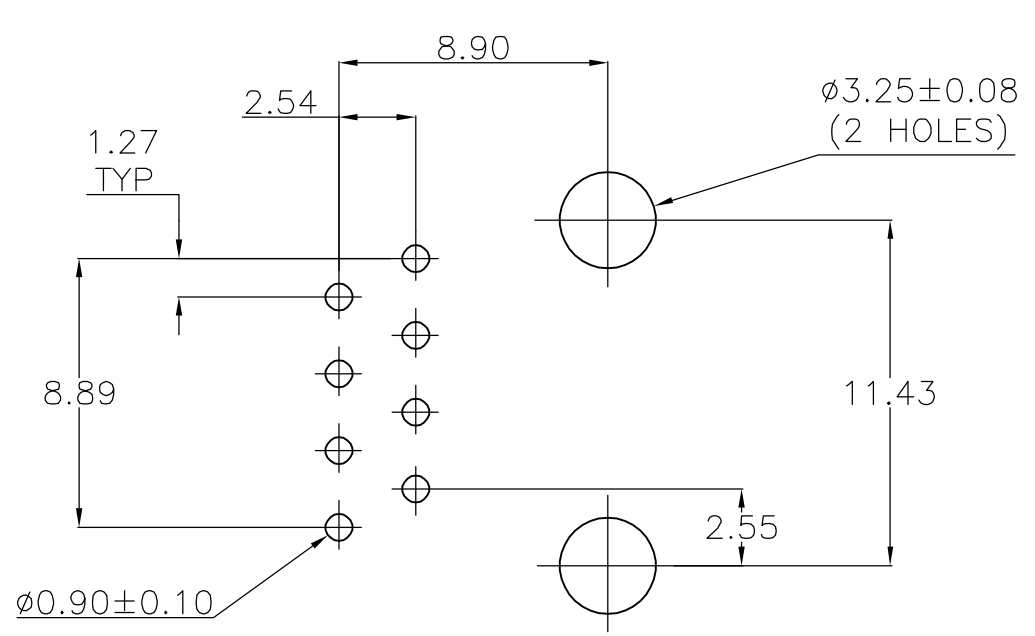
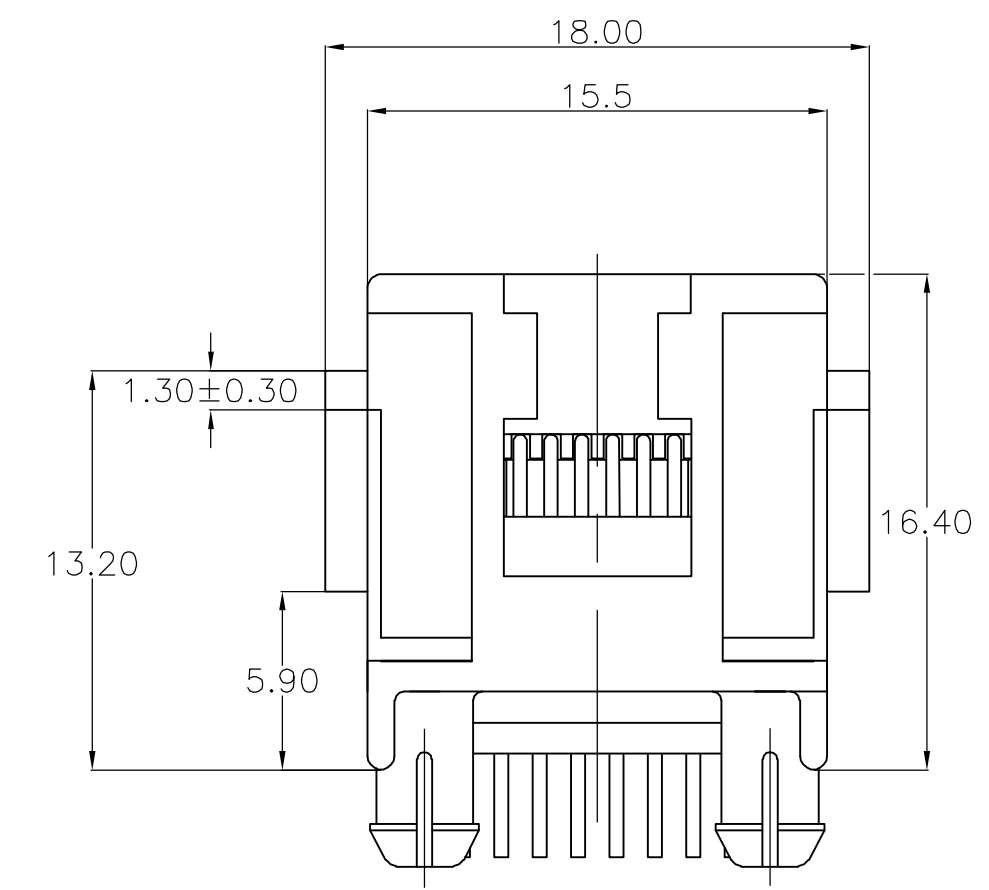
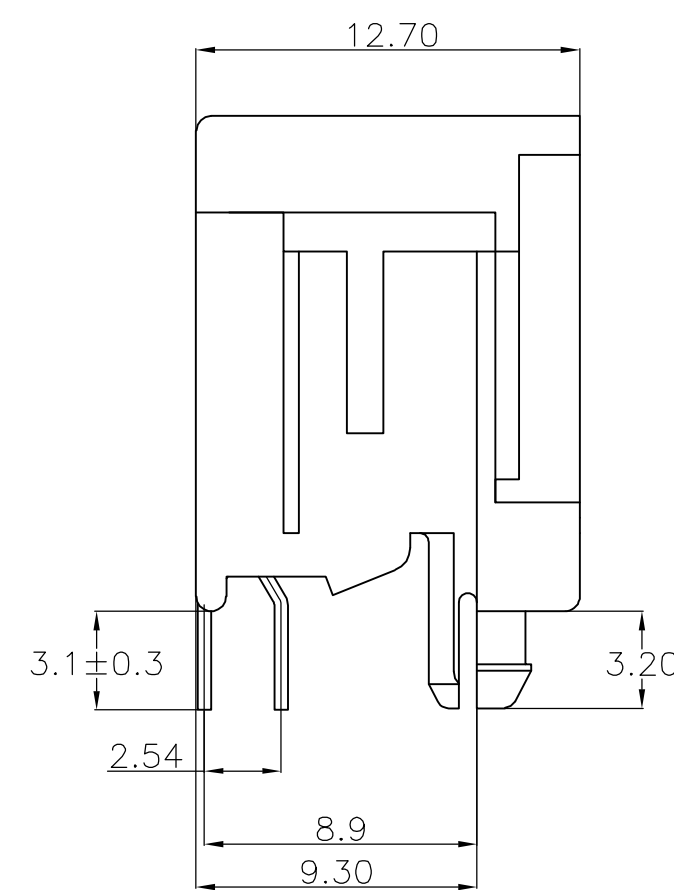
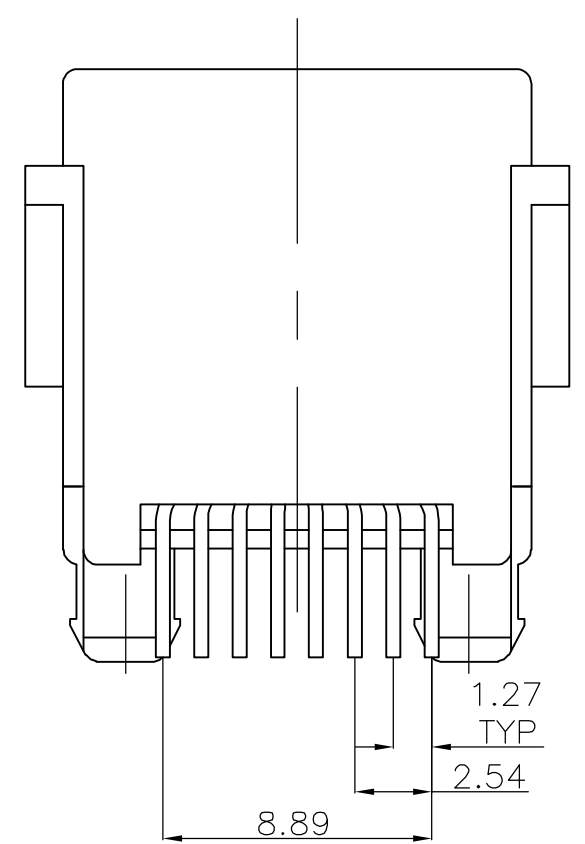
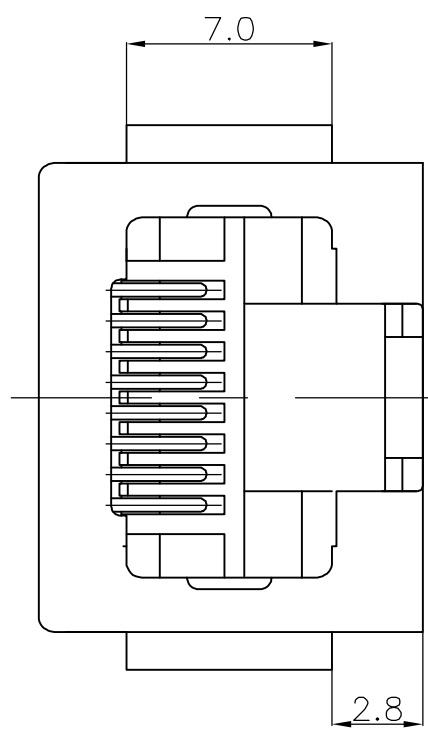


THIS DRAWING IS UNPUBLISHED. RELEASED FOR PUBLICATION
 © COPYRIGHT BY TYCO ELECTRONICS CORPORATION. ALL RIGHTS RESERVED.

Loc	DIST	REVISIONS					
		P	LTR	DESCRIPTION	DATE	DWN	APVD
H	-	K		EH-0049-97	27-02-97	EVE	-
		L		EH-1248-98	26-10-98	EVE	-
		M		ECR-06-013127	31-05-06	MO	-

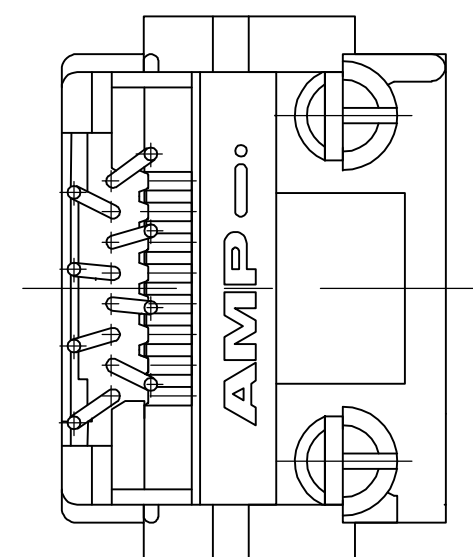
NOTES:

1. TOLERANCES UNLESS OTHERWISE SPECIFIED: ± 0.15
2. FOR APPLICATION INFORMATION SEE AMP SPEC. 114-19019.
3. FOR PERFORMANCE REQUIREMENTS SEE AMP SPEC. 108-19064



PRINTED CIRCUIT BOARD LAYOUT

[VIEW SHOWN IS CIRCUIT (NONCOMPONENT) SIDE OF BOARD.]
 TOLERANCES UNLESS OTHERWISE SPECIFIED: ± 0.05
 PRINTED CIRCUIT BOARD THICKNESS: 1.6 mm NOMINAL.



800 PCS. ON A 60cm. DIA. REEL	8 POSITIONS/ 8 CONTACTS.	IN CONTACT AREA: 1.2 μ m MIN. SEL. GOLD OVER 1.2 μ m MIN. NICKEL	HOUSING: PBT,UL 94V-0 COLOR: BLACK	216550-2
		SOLDER TINES: 2.0 μ m MIN. TIN OVER 1.2 μ m MIN. NICKEL	CONTACTS: PHOSPHOR BRONZE	
			HOUSING: PBT,UL 94V-HB COLOR: BLACK	216550-1
			CONTACTS: PHOSPHOR BRONZE	
PACKAGING	REMARKS	FINISH	MATERIAL	PART NUMBER

THIS DRAWING IS A CONTROLLED DOCUMENT.		DWN J.V.LIEMPT	22JAN92	tyco Electronics		Tyco Electronics Corporation s-HertogenBosch,Nederland,	
DIMENSIONS: MM		CHK C.STERKEN	APVD L.V.SOEST	NAME		MODULAR JACK, 8 POS. TOP ENTRY, SMALL SIZE WITH PANEL STOPS, FOR PRINTED CIRCUIT BOARDS	
TOLERANCES UNLESS OTHERWISE SPECIFIED: 0 PLC ± - 1 PLC ± - 2 PLC ± - 3 PLC ± - 4 PLC ± - ANGLES ± -		APPLICATION SPEC		SIZE A2		CAGE CODE 00779	DRAWING NO C=216550
MATERIAL SEE TABLE		FINISH SEE TABLE		WEIGHT -		RESTRICTED TO -	
CUSTOMER DRAWING				SCALE -	SHEET 1	OF 1	REV M

216550

A